



ORIGINAL KETTLE

ASSEMBLY GUIDE

Read owner's guide before using the barbecue.

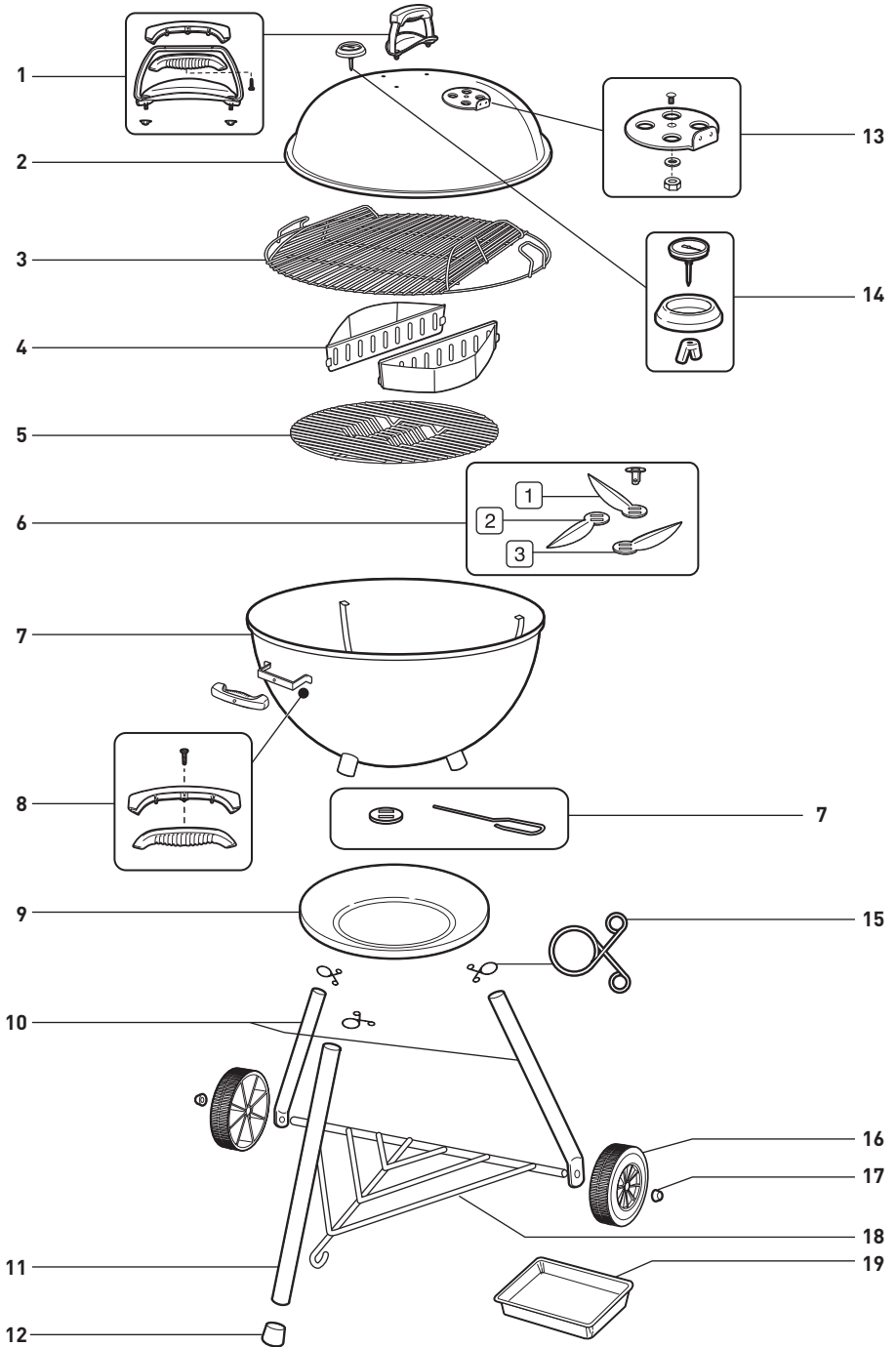
22 inch
(57 cm)



57876
AU/NZ
05/07/19

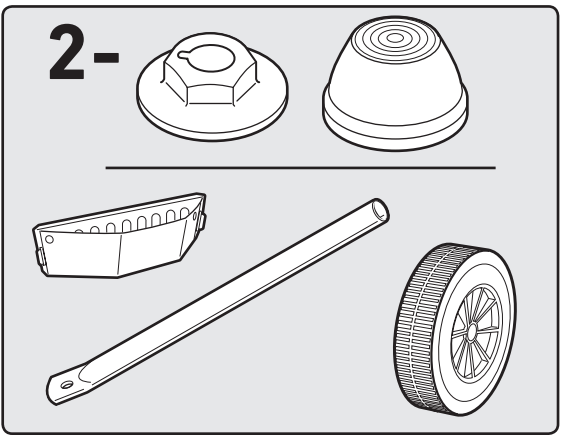
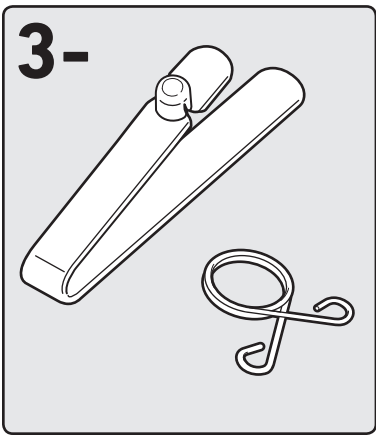
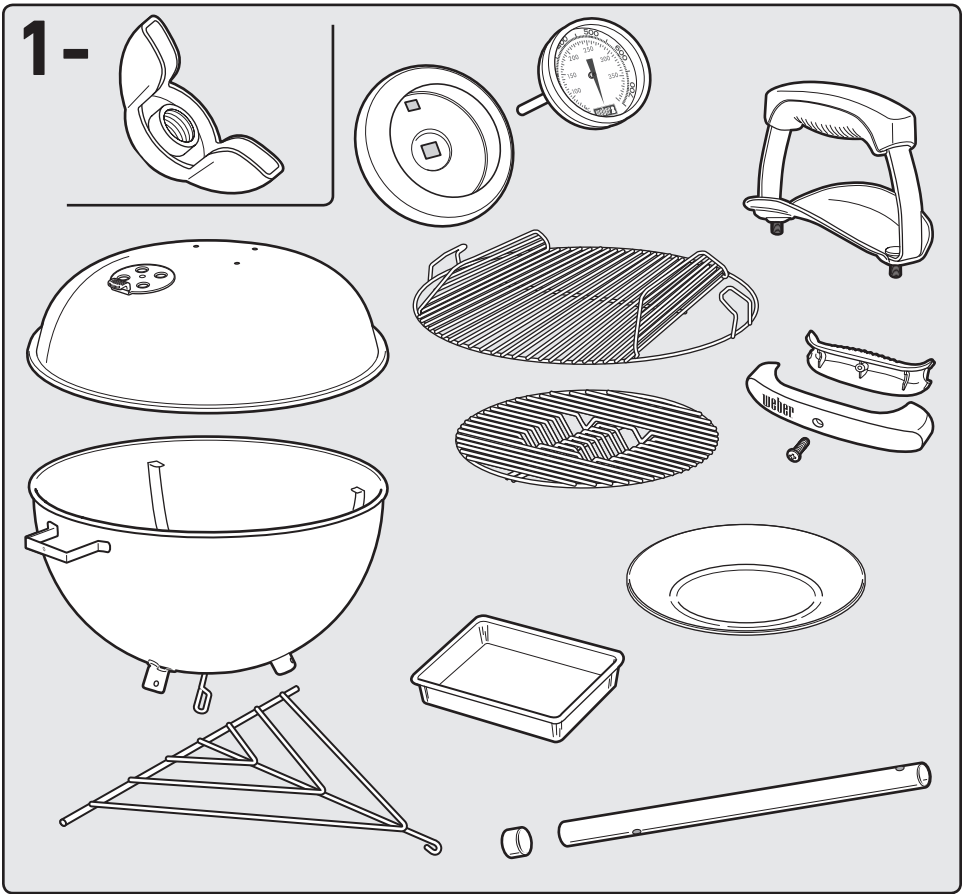
EXPLODED VIEW

Original_Kettle_wThermometer_XV_NonEU_061714



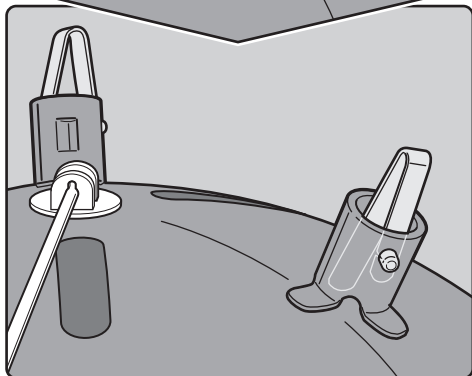
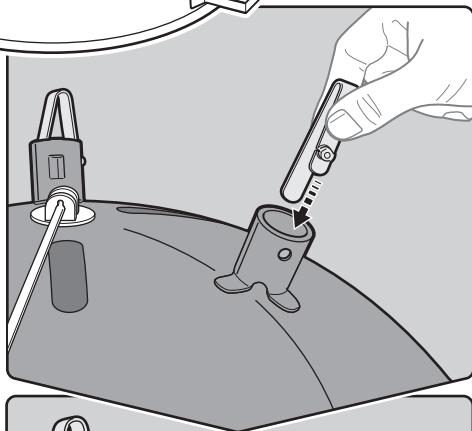
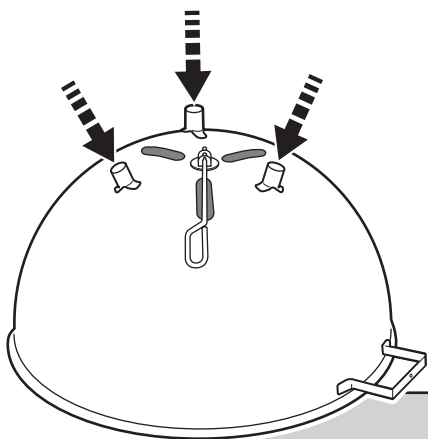
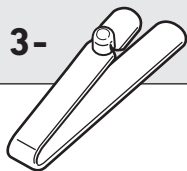
EXPLODED VIEW LIST

- | | |
|------------------------------|--------------------------|
| 1. Lid Handle Assembly | 11. Front Leg |
| 2. Lid | 12. Leg Cap |
| 3. Hinged Cooking Grate | 13. Lid Damper Assembly |
| 4. CHAR-BASKETS | 14. Thermometer Assembly |
| 5. Charcoal Grate | 15. Ash Catcher Clip |
| 6. ONE-TOUCH Cleaning System | 16. Wheel |
| 7. Bowl | 17. Hub Cap |
| 8. Bowl Handle Assembly | 18. Triangle |
| 9. Ash Catcher | 19. Disposable Drip Pan |
| 10. Wheel Leg | |



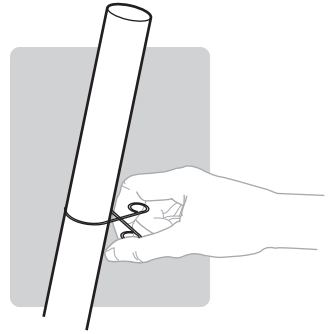
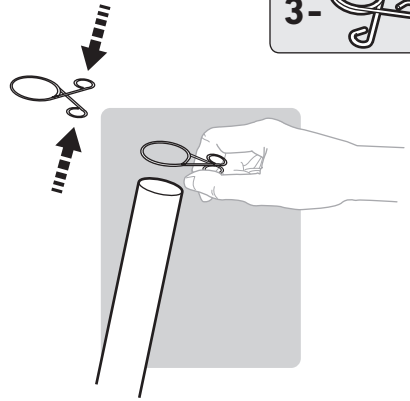
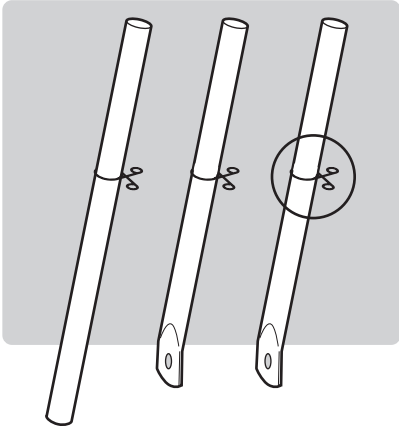
1

3-

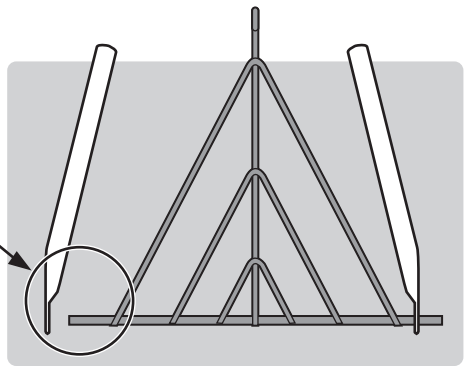
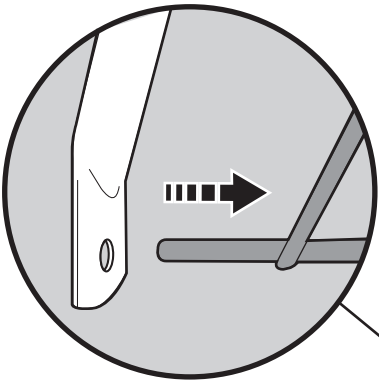


2

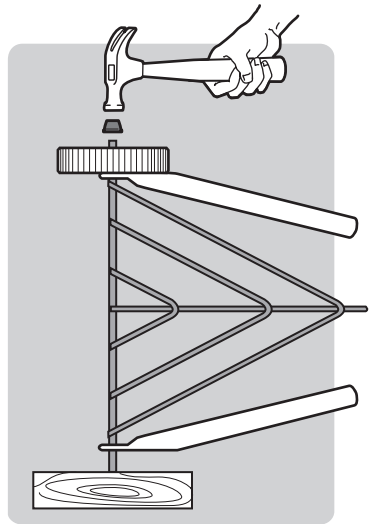
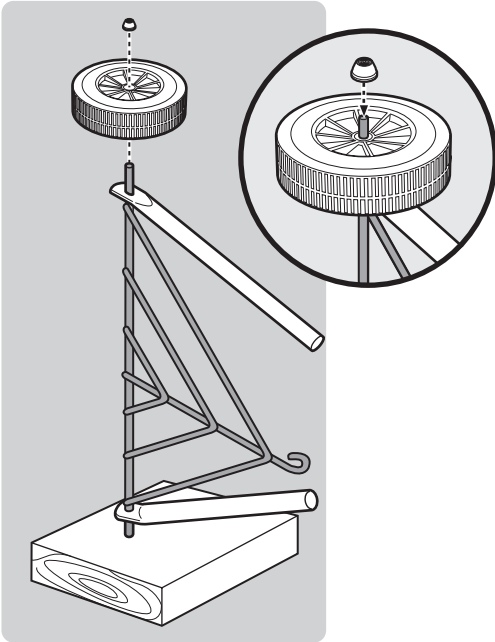
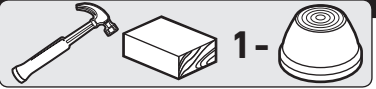
3-



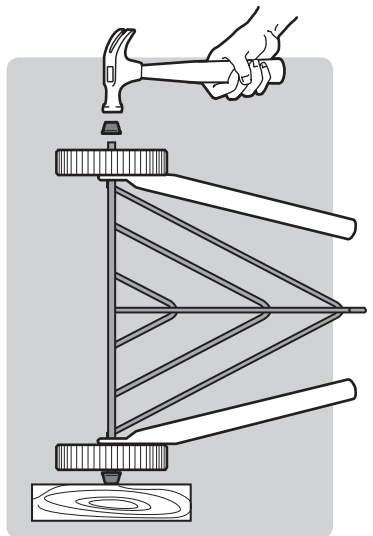
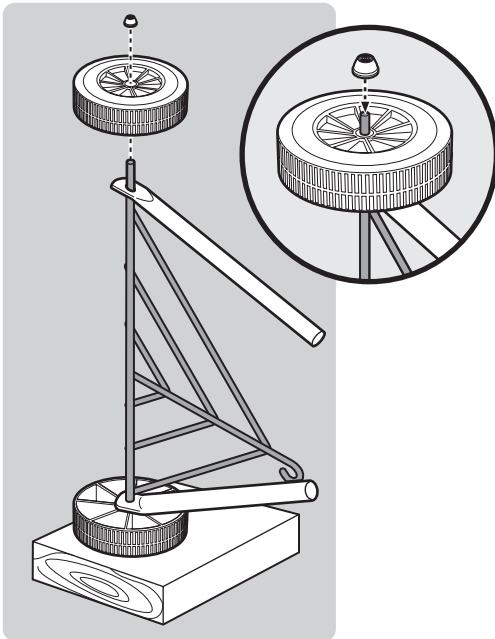
3

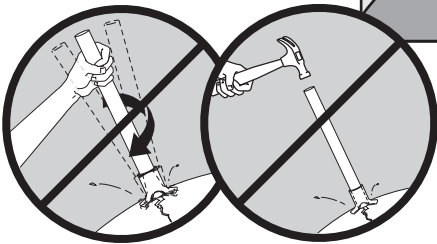
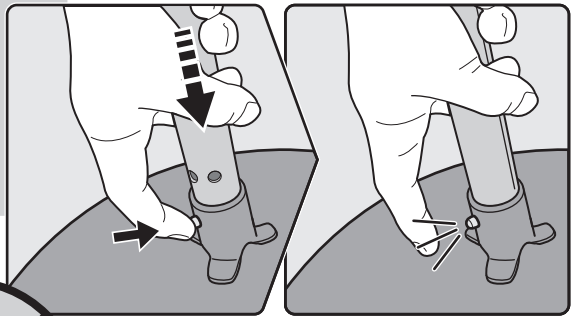
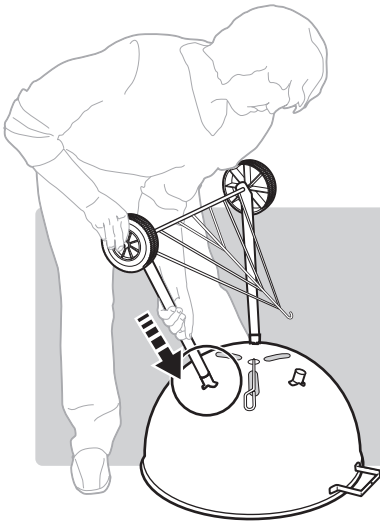
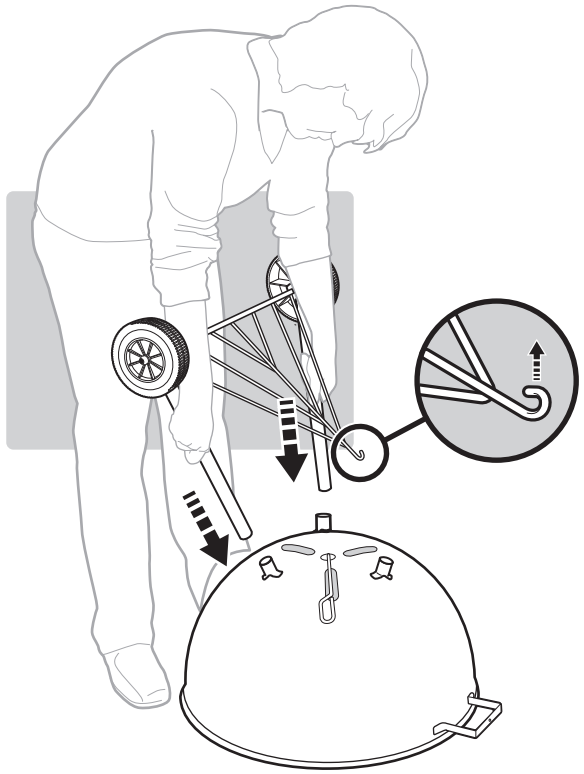
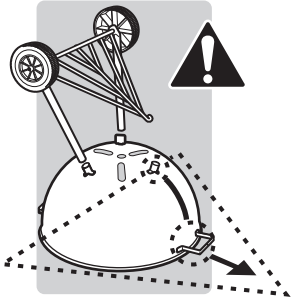


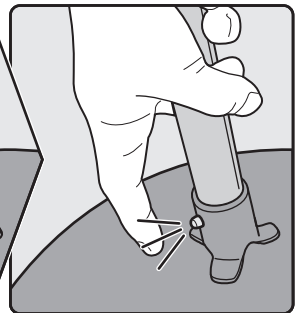
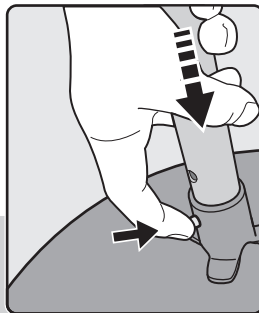
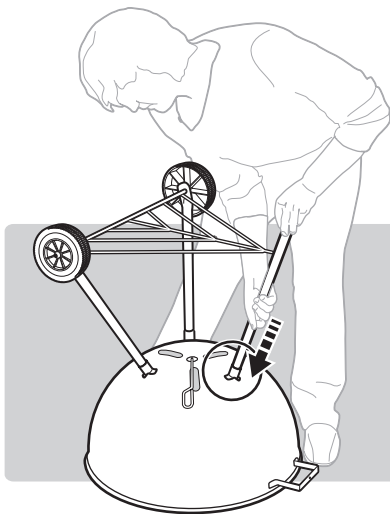
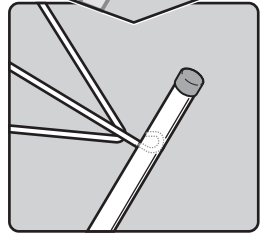
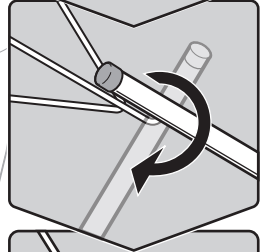
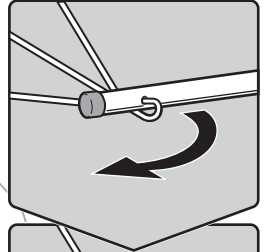
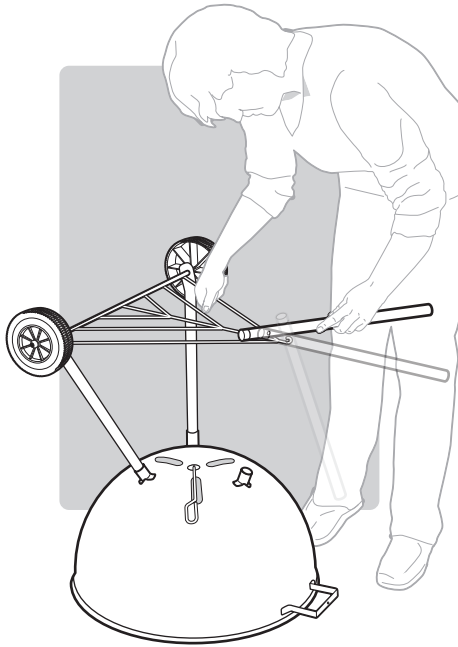
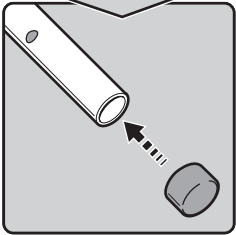
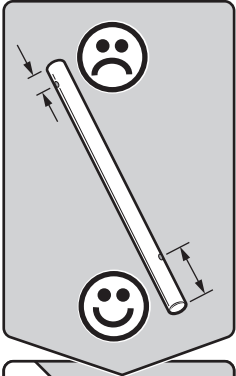
4

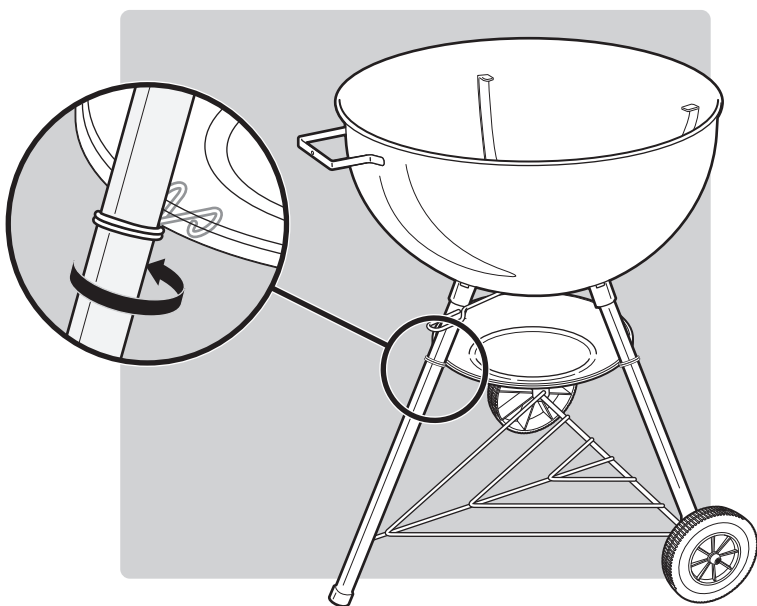
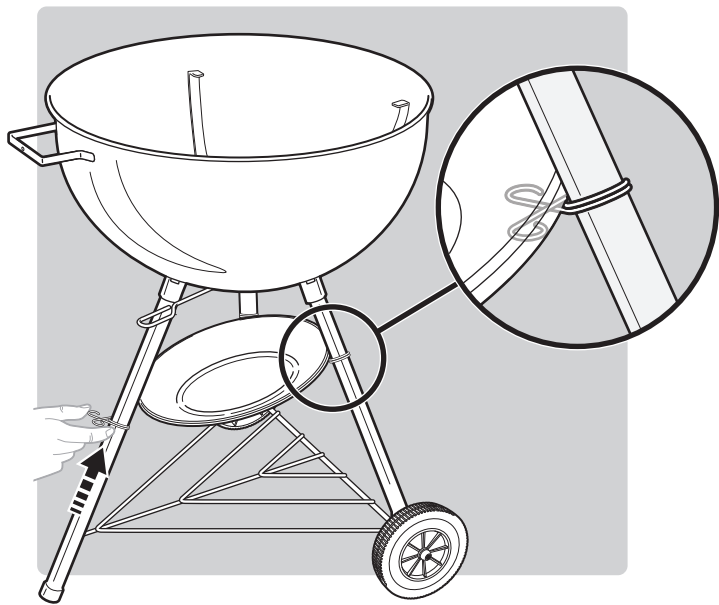


5

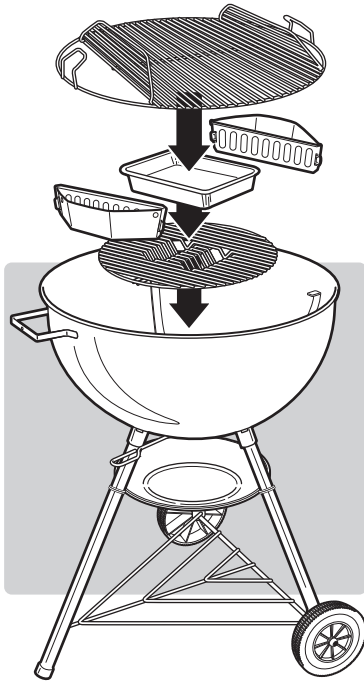




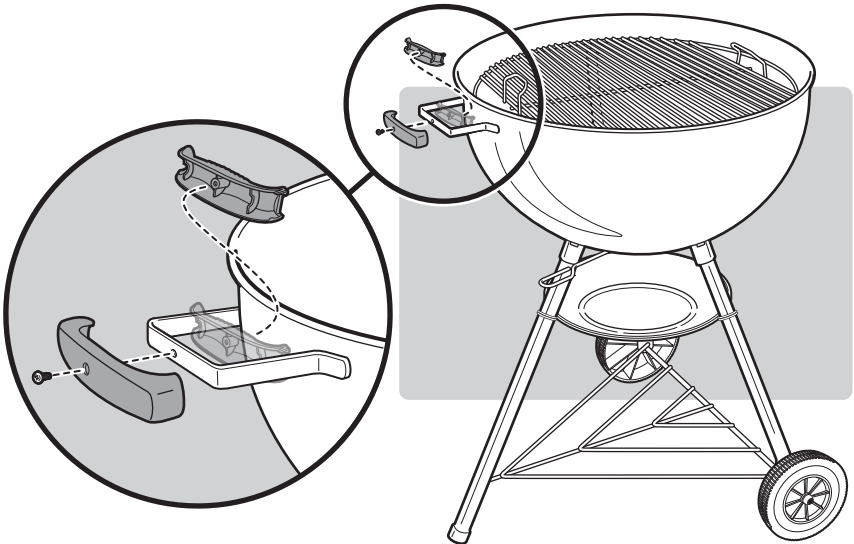




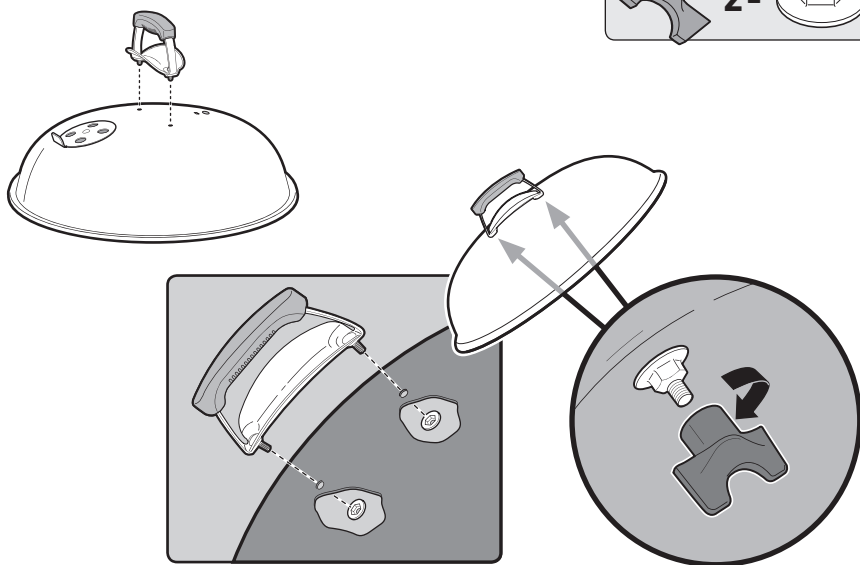
9



10

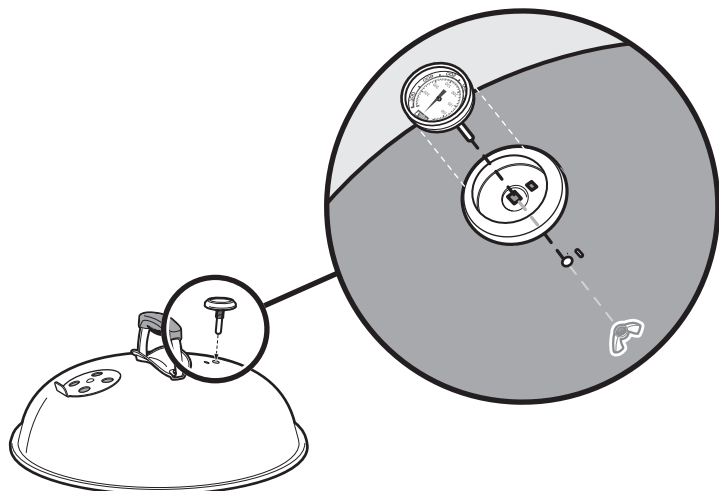


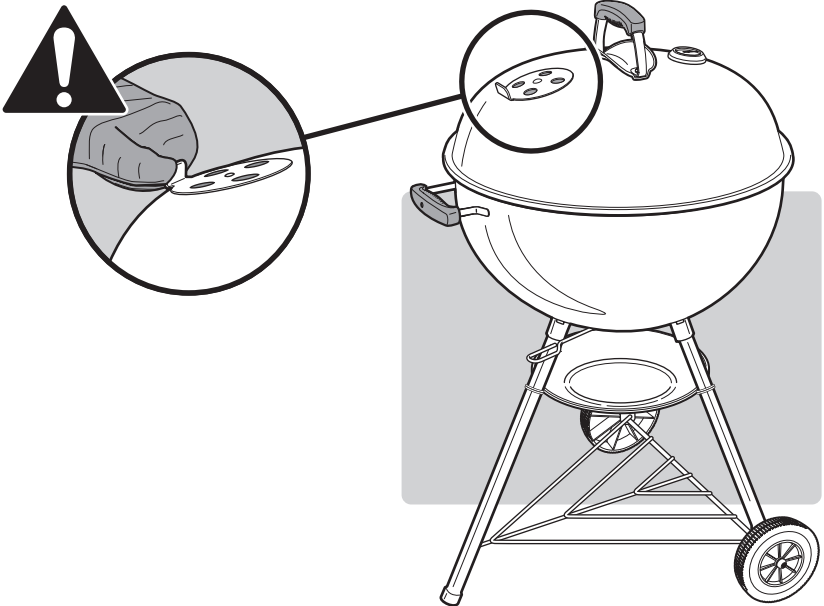
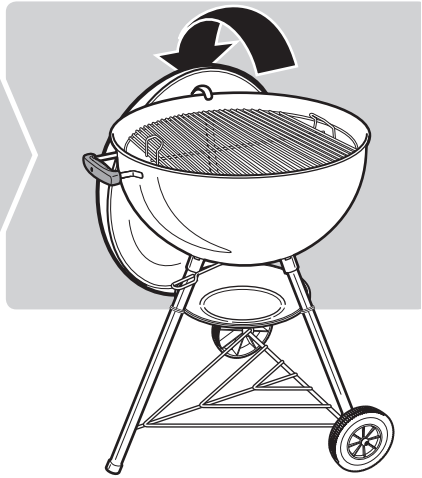
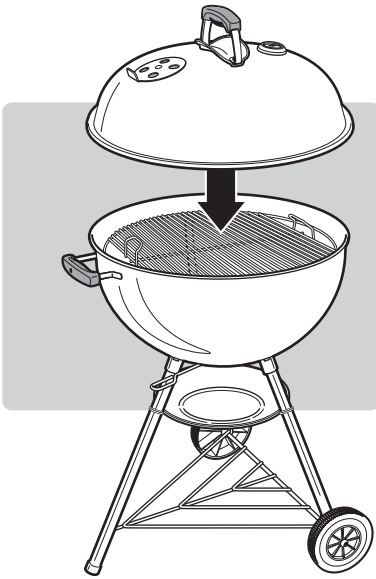
11

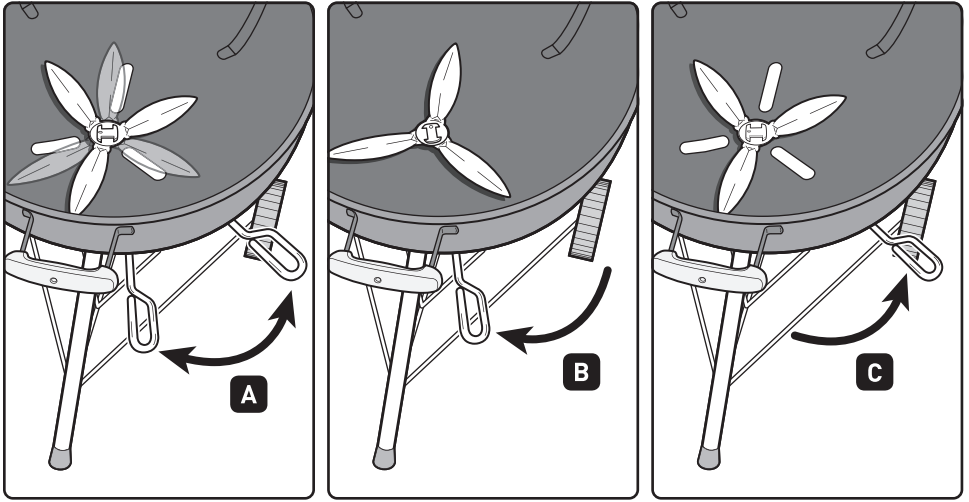


Tighten hardware until it is secure.
⚠ DO NOT OVERTIGHTEN HARDWARE.

12







A - Clear ashes B - Vents closed C - Vents open

⚠ WARNING: When using liquid starters always check ash catcher before lighting. Fluid can collect in the ash catcher and could ignite, resulting in a fire below the bowl. Remove any starting fluid from the ash catcher before lighting charcoal.





WEBER-STEPHEN PRODUCTS LLC
www.weber.com

© 2019 Designed and engineered by Weber-Stephen Products LLC,
1415 S. Roselle Road, Palatine, Illinois 60067 USA.