



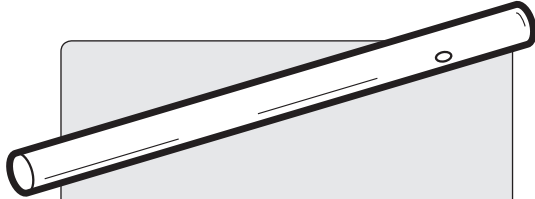
LEG REPLACEMENT INSTRUCTIONS

CHARCOAL GRILLS

⚠ **WARNING: GENUINE WEBER-STEPHEN REPLACEMENT PARTS MUST BE USED FOR ANY REPAIR OR REPLACEMENT. YOUR ACTIONS, IF YOU FAIL TO FOLLOW THIS PRODUCT WARNING, MAY CAUSE A STRUCTURAL FAILURE, OR FIRE RESULTING IN SERIOUS PERSONAL INJURY OR DAMAGE TO PROPERTY.**

(WILL VOID ALL WARRANTY PROTECTION)

⚠ **IMPORTANT NOTE: BEFORE PERFORMING ANY WORK MAKE SURE THE KETTLE IS COOL AND ALL CHARCOAL RESIDUE IS REMOVED FROM THE KETTLE BOWL AREA.**



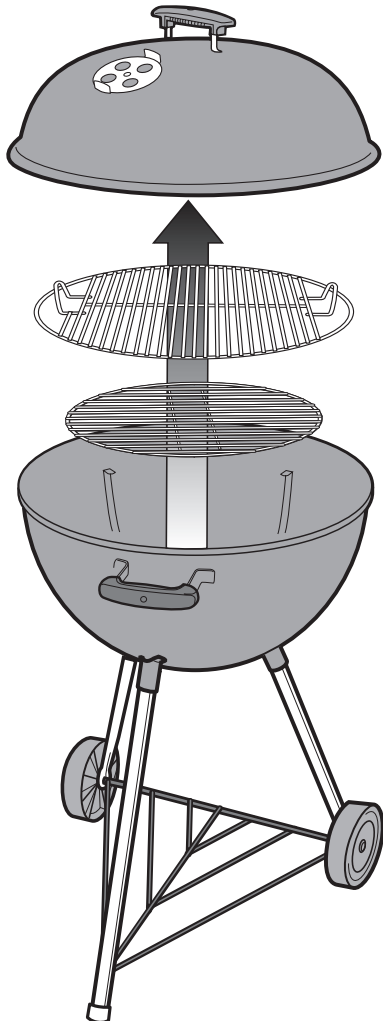
**FRONT LEG
REPLACEMENT**



**REAR WHEEL LEG
REPLACEMENT**

1

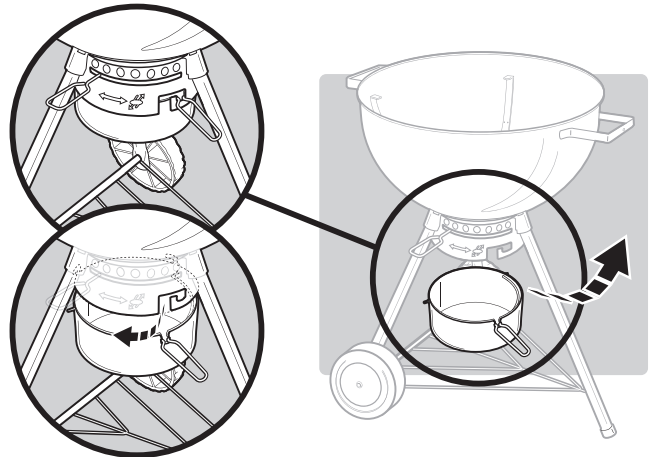
LID & GRATE REMOVAL



2

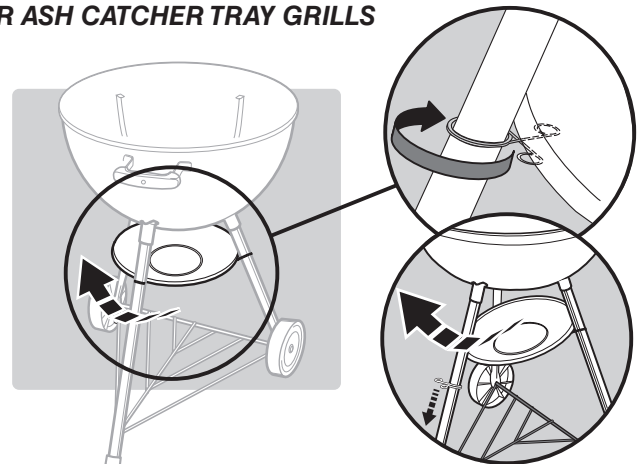
ASH CATCHER REMOVAL

FOR ASH CATCHER BOWL GRILLS



OR

FOR ASH CATCHER TRAY GRILLS



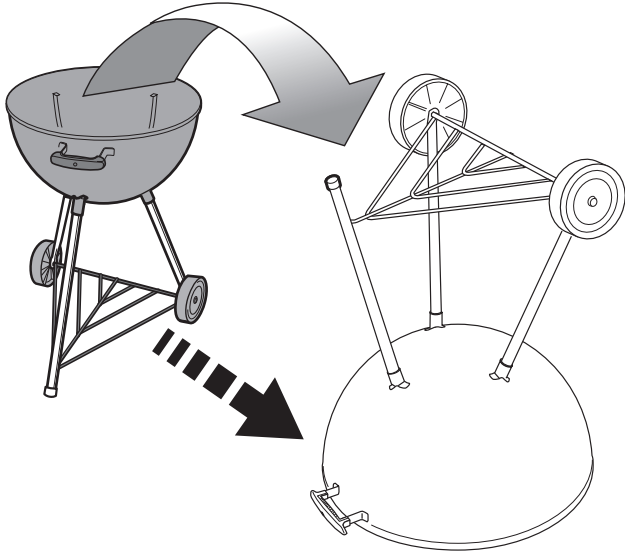
NOTE: The grills illustrated may have slight differences than the model purchased.

3

FLIP GRILL UPSIDE DOWN



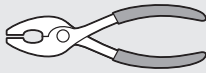
- PLACE THE ENTIRE CHARCOAL GRILL ASSEMBLY ON A NONABRASIVE SURFACE WHERE YOU CAN ACCESS ALL OF THE COMPONENTS EASILY.



4

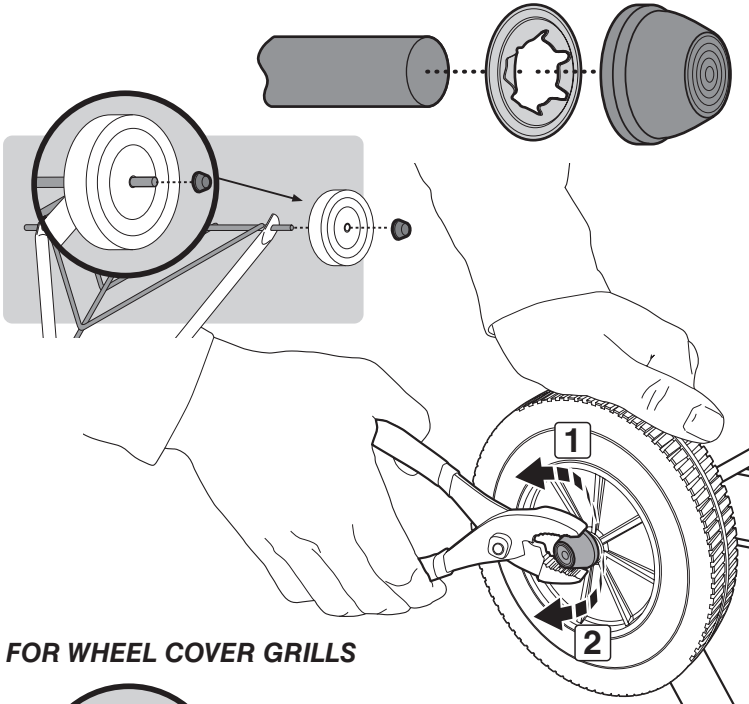
WHEEL REMOVAL

TOOLS NEEDED:

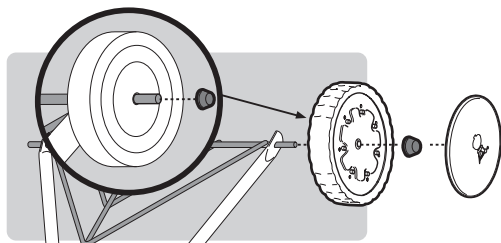


- PLIERS

- A) Remove the wheel hubs with a pair of pliers.
- B) Twist back and forth until the wheel hub is completely removed 1 & 2.



FOR WHEEL COVER GRILLS

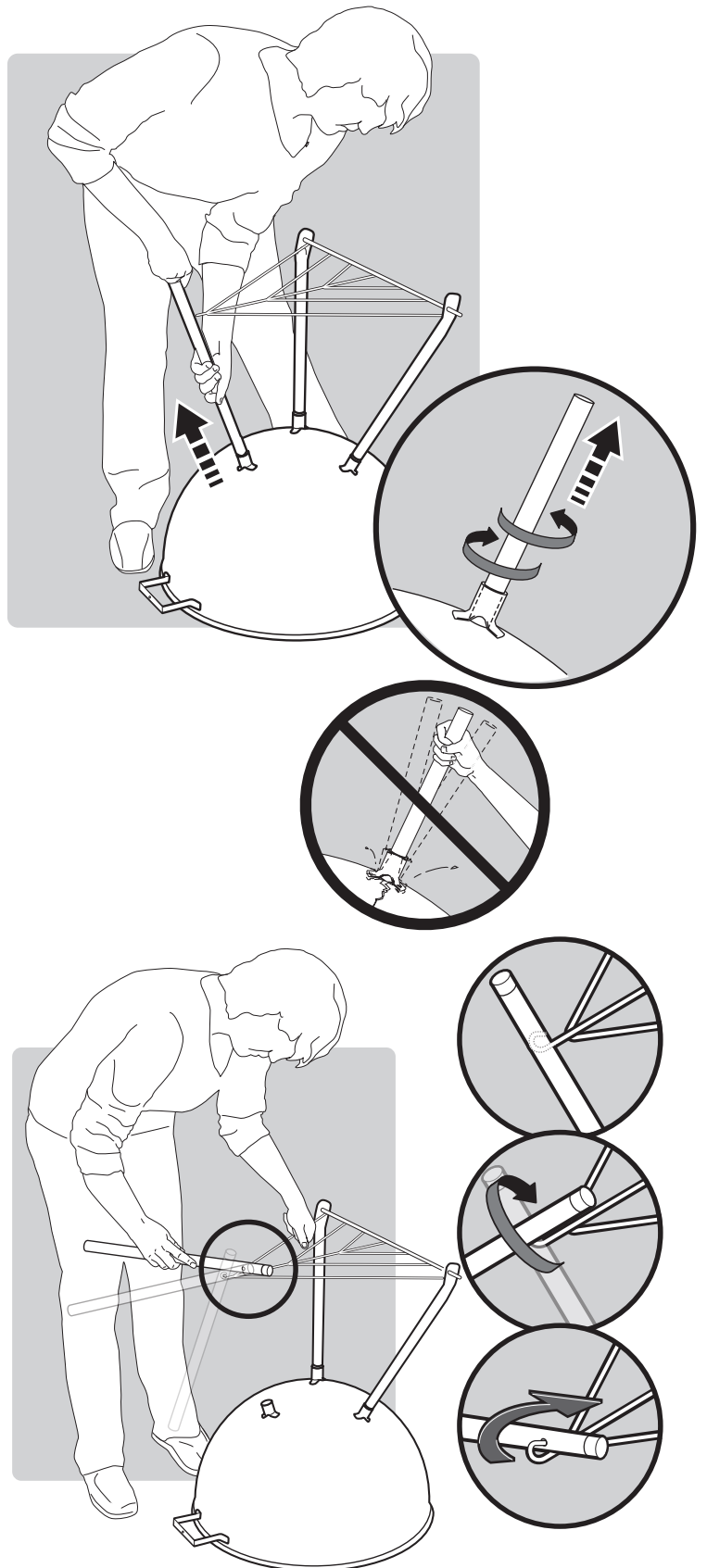


5

FRONT LEG REMOVAL

- A) Firmly grab the front leg, and slightly twist while pulling straight out.
- B) Remove the front leg from the triangle assembly.

NOTE: DO NOT FORCE LEG BACK AND FORTH. THIS WILL CAUSE BOWL AND LEG COUPLING TO CRACK.

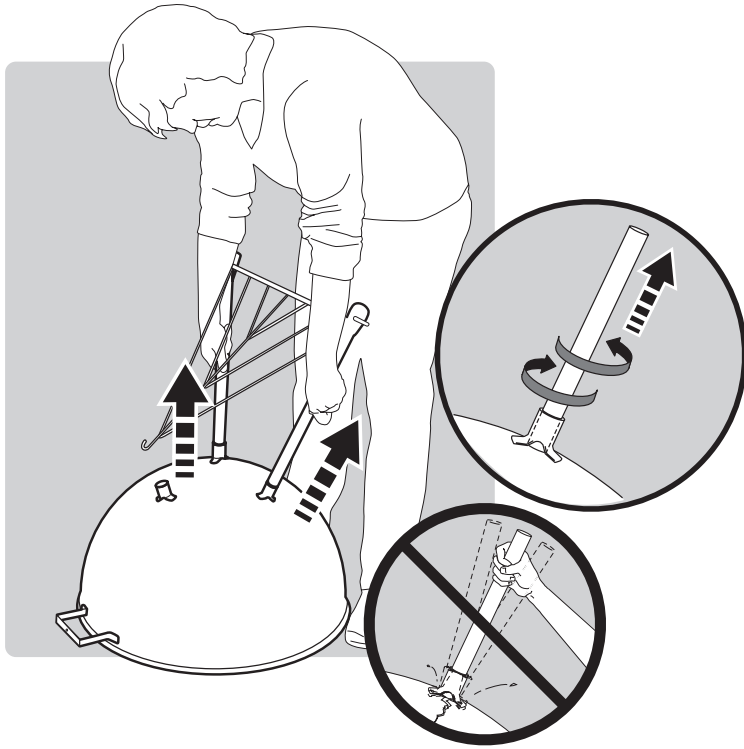


6

REAR WHEEL LEG REMOVAL

- A) Firmly grab the rear wheel legs, and slightly twist while pulling straight out.
- B) Remove the rear legs and triangle assembly.

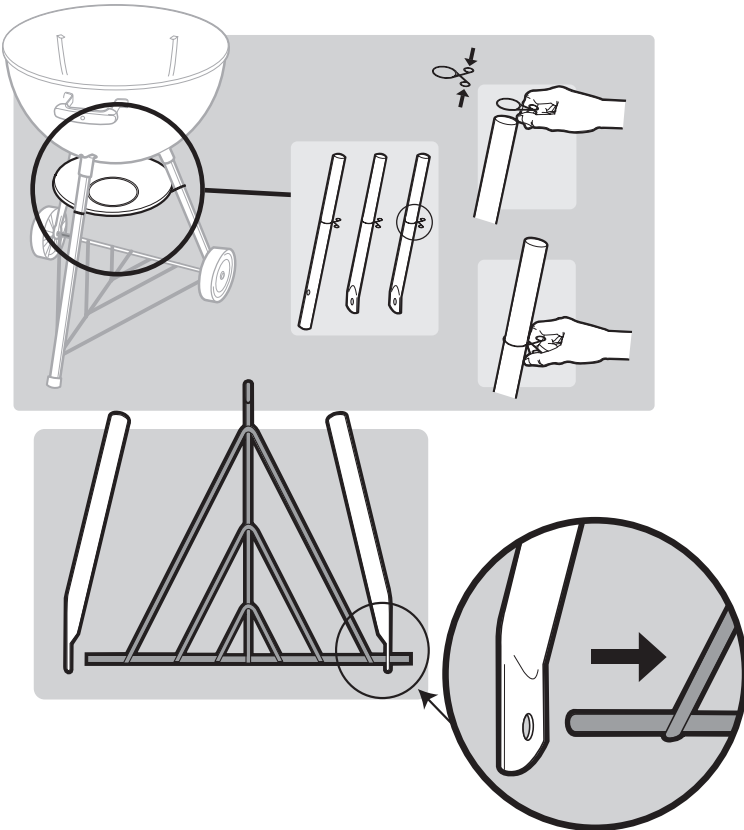
NOTE: DO NOT FORCE LEG BACK AND FORTH. THIS WILL CAUSE BOWL AND LEG COUPLING TO CRACK.



7

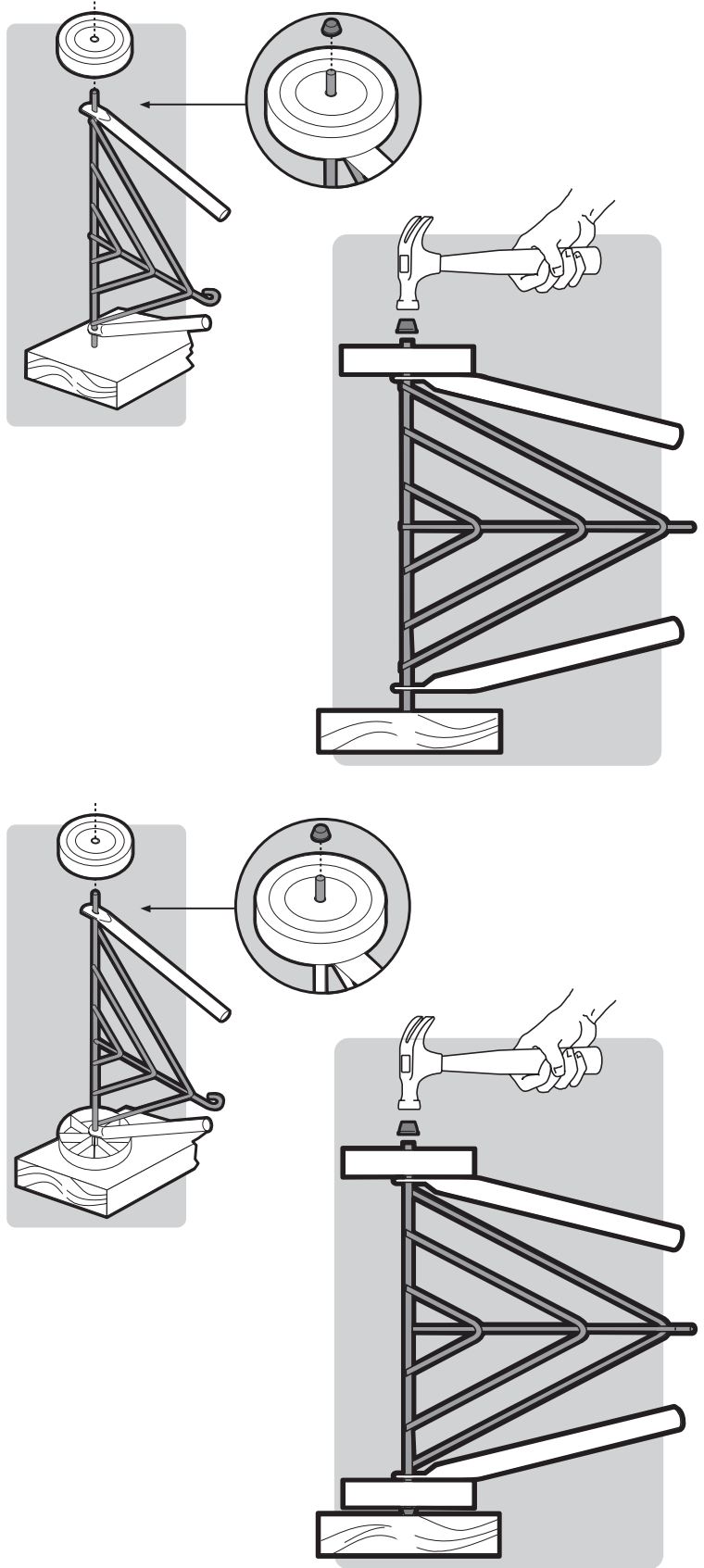
TRIANGLE INSTALLATION

FOR ASH CATCHER TRAY GRILLS

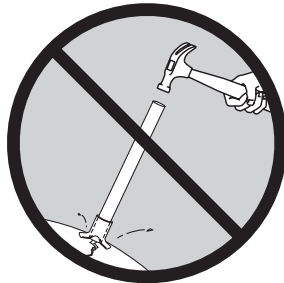
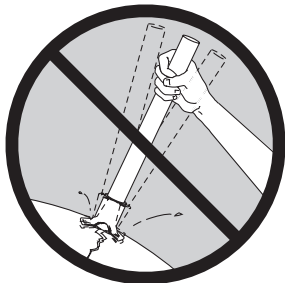
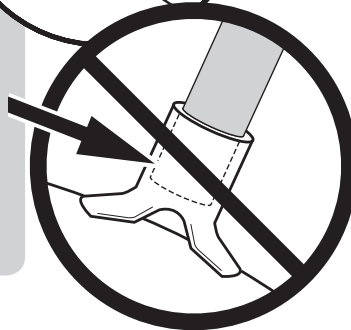
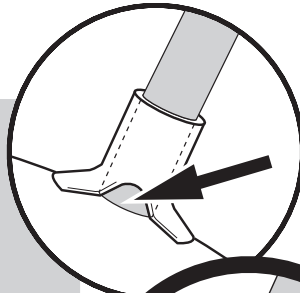
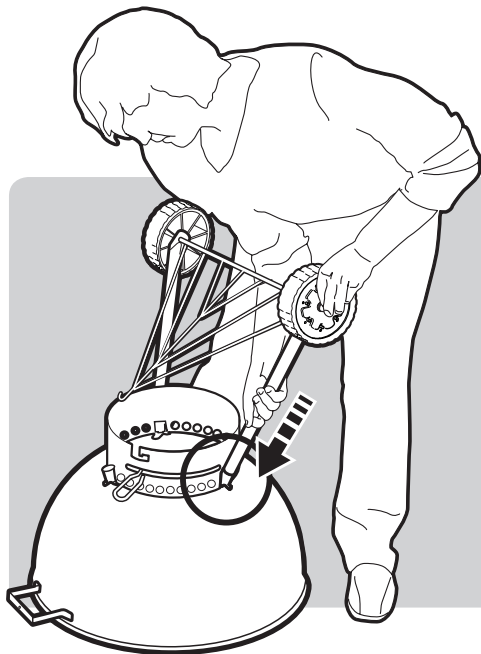
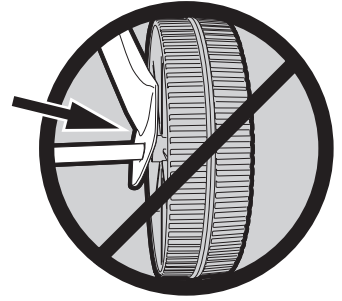
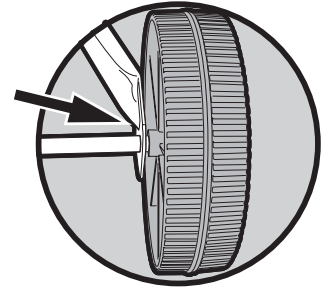
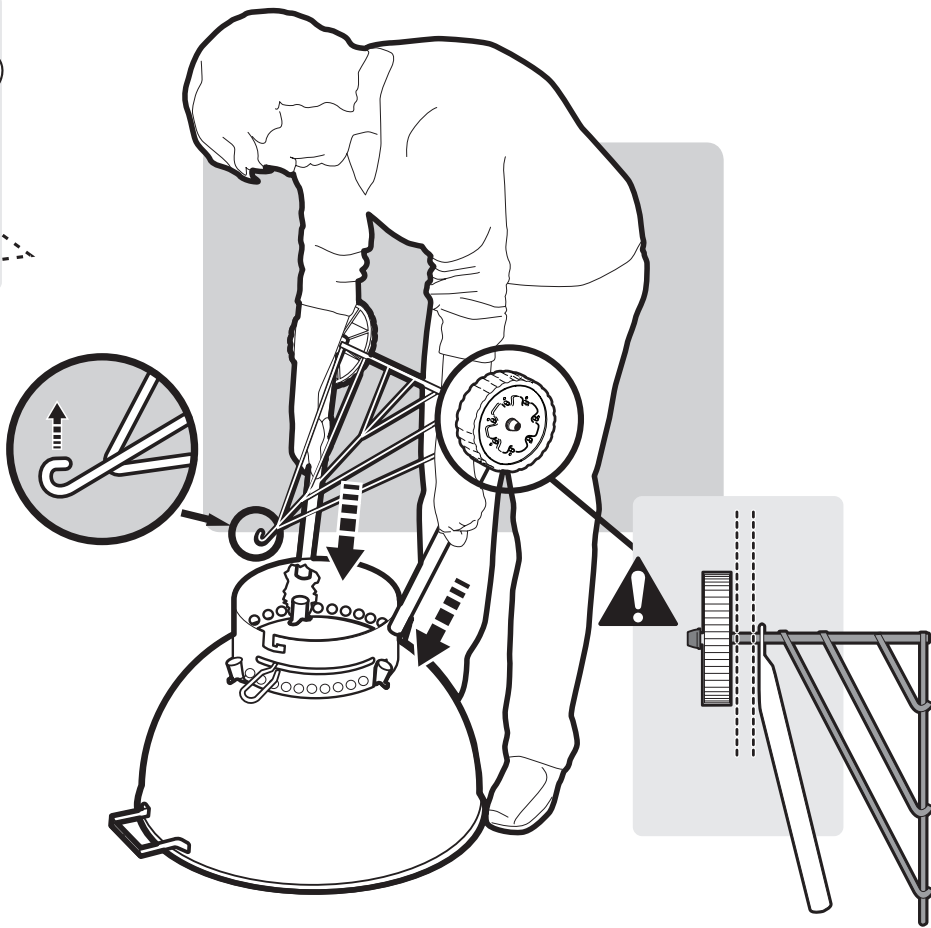
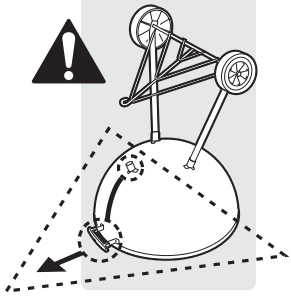


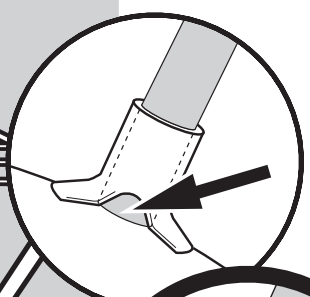
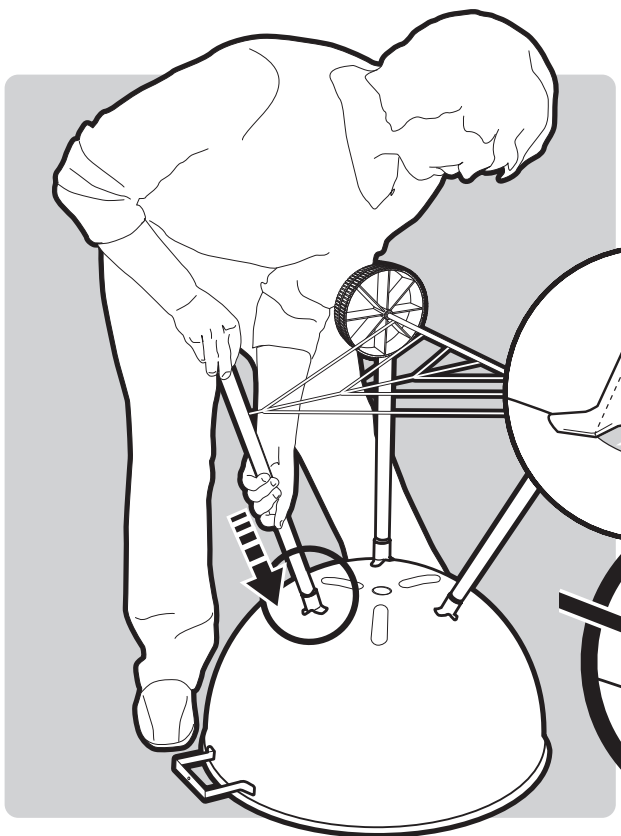
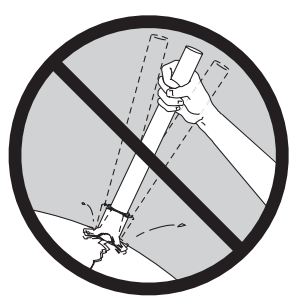
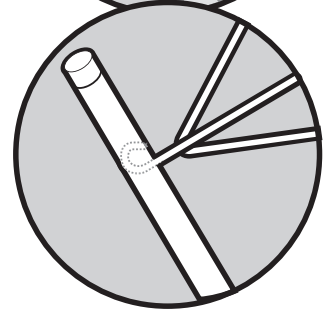
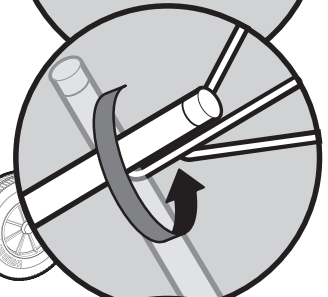
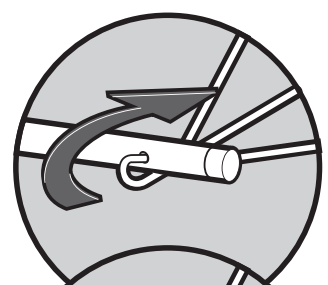
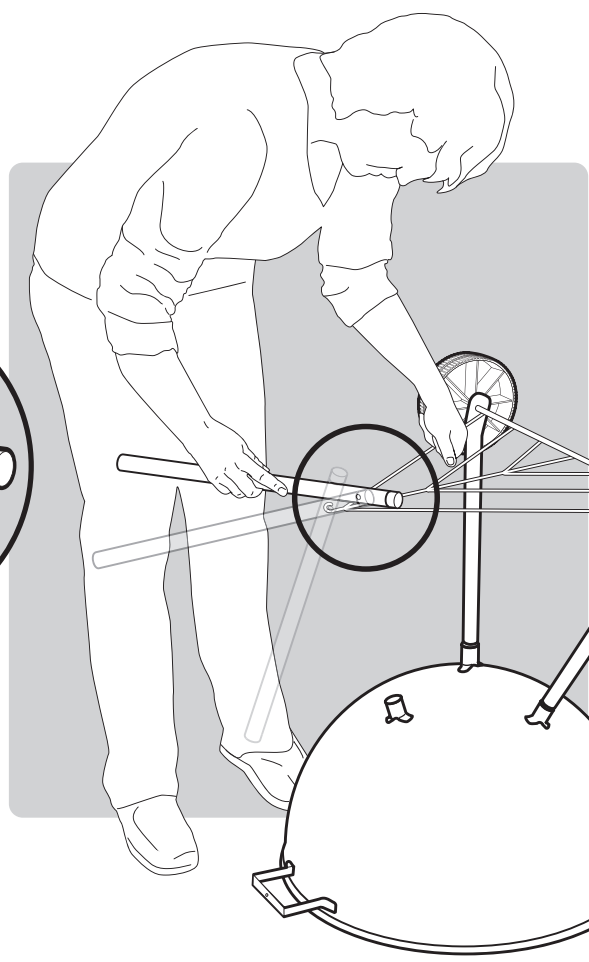
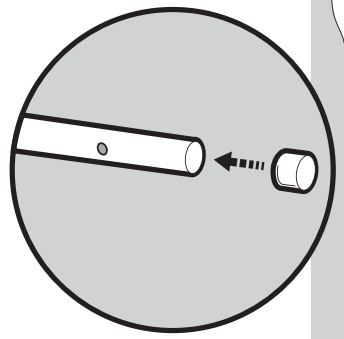
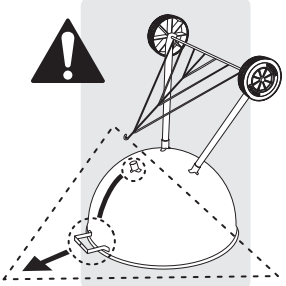
8

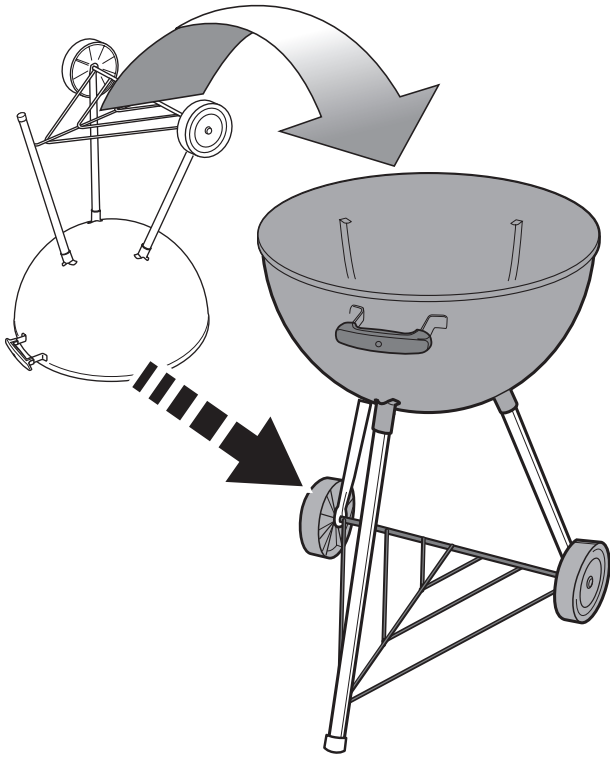
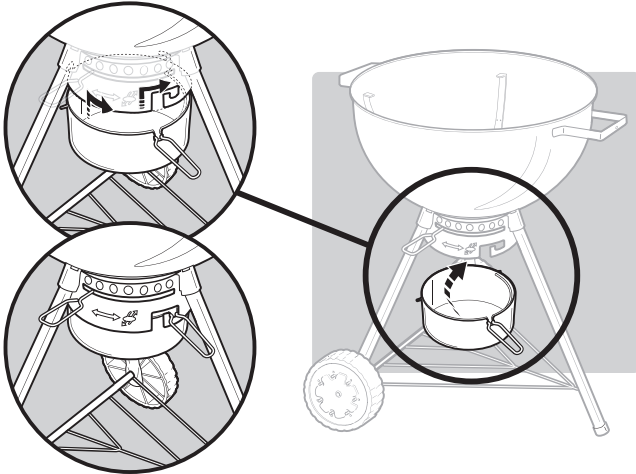
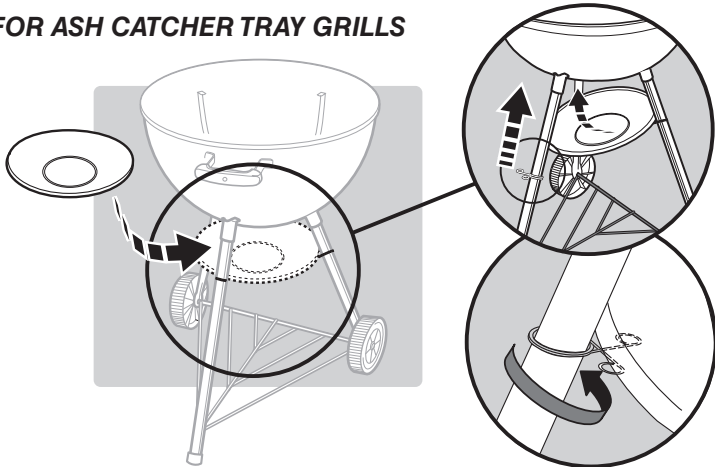
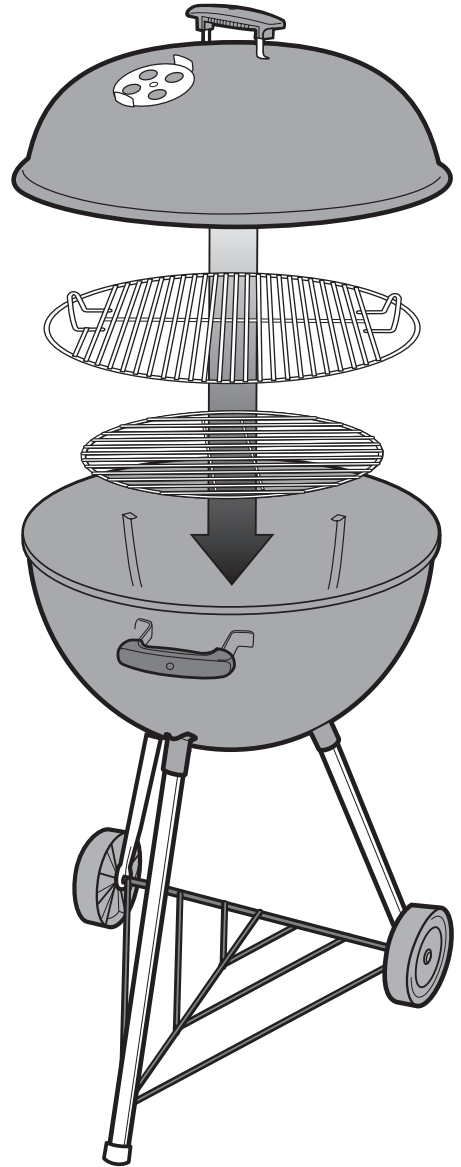
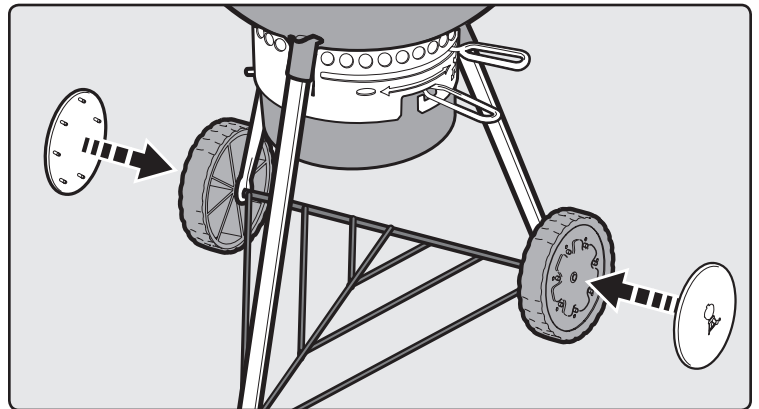
WHEEL INSTALLATION



REAR WHEEL LEG INSTALLATION





11**SET GRILL UPRIGHT****12****ASH CATCHER INSTALLATION***FOR ASH CATCHER BOWL GRILLS***OR***FOR ASH CATCHER TRAY GRILLS***13****LID & GRATE INSTALLATION***FOR WHEEL COVER GRILLS*

⚠ WARNING: Make sure that all parts are assembled and hardware is fully tightened before operating the grill. Your actions, if you fail to follow this Product Warning, may cause a structural failure, or fire resulting in serious personal injury or damage to property.

Visit



WEBER-STEPHEN PRODUCTS LLC
www.weber.com[®]

For All of Your Grilling Needs



WEBER-STEPHEN PRODUCTS LLC
Customer Service Center
1890 Roselle Road, Suite 308
Schaumburg, IL 60195

1-800-446-1071 (USA ONLY)
www.weber.com[®]

Contact the Customer Service Representative in your area using the contact information on our website.