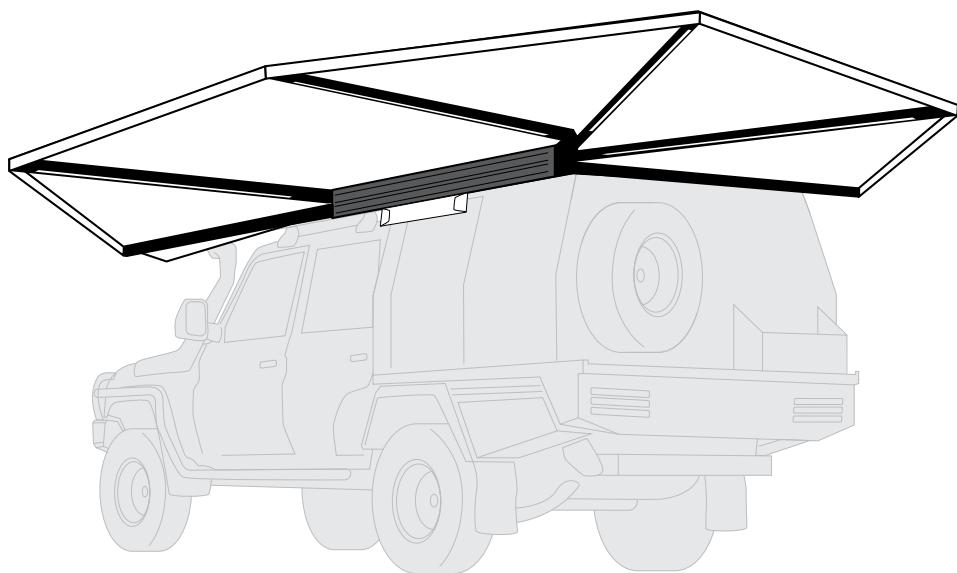


DARCHE[®]

270 FREESTANDING LED AWNING

INSTRUCTION MANUAL



T050801740

D A R C H E . C O M . A U

INSTRUCTION MANUAL

THANK YOU FOR PURCHASING A DARCHE AWNING.

We strive to provide the ultimate outdoor camping experience. Your Awning mounts directly to your vehicles roof rack or roof bars and can be set up in under a minute. Your Awning is made with durable materials that provide excellent rain and wind protection.

Before setting off on your adventure, your new Awning will require some basic assembly. After unboxing, read through this instruction manual, install your awning onto the roof rack or aftermarket roof bars utilising the supplied brackets

BEFORE INSTALLATION AND USE PLEASE READ THE INSTRUCTIONS AND WARNINGS CAREFULLY

Should you have any questions or require assistance, please contact your DARCHE® retailer or call our customer service line: 1300 367 695

Familiarise yourself with the product. We recommend that you unpack and set up your Awning at home before use.

Damage from incorrect set up or use is not covered under general warranty.

Inspections: During trips regularly check that all nuts and bolts attaching your Awning to your vehicle are tight and in good condition.

PLEASE READ ALL INSTRUCTIONS PRIOR TO INSTALLING

Please thoroughly read the instructions and warnings set forth in this manual. Should you have any questions, please ask your Darche retailer or call our customer service line: 1300 367 695.



**SCAN TO WATCH
THE VIDEO**

WARNING

Ensure that you follow the installation instructions carefully. It is very important that your Awning is installed correctly on your vehicle and you fully understand the safe use of your Awning.

Please refer to your vehicle manufacturer or vehicle manual for roof load carrying capacity and also the manufacturer of your roof rack/rails for carrying capacities, particularly if you are planning to travel off-road. Not all vehicles or aftermarket roof rack/bars are suitable for carrying an Awning.

Any element applied to the vehicle roof changes the normal vehicle handling.

The manufacturer disclaims all responsibility in case of accidents due to improper use, improper maintenance, or failure to check the tightness of brackets, bolts and any other fasteners on your roof rack or Awning.

Inspections: During trips regularly check that all nuts and bolts on your Awning are tight and in good condition. This includes nuts and bolts attaching the Awning to the vehicle as well as those on all mechanical components of the Awning.

DARCHE TAKES NO RESPONSIBILITY FOR THE FITMENT OF THE AWNING TO ANY VEHICLE OR ROOF RACK.

Darche Outdoor Gear - The wholesaler / manufacturer shall not be liable for special, indirect incidental or consequential damages.



SAFETY WARNING

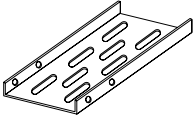
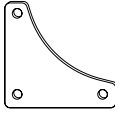
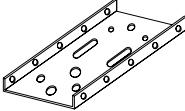
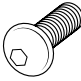
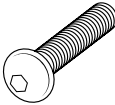



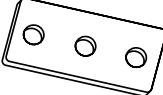


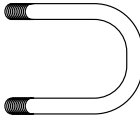



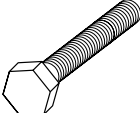

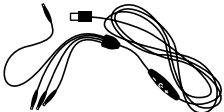
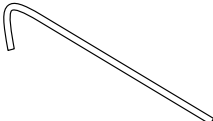
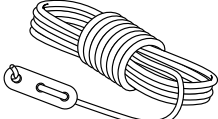
KEEP ALL FLAME AND HEAT SOURCES AWAY FROM THE AWNING MATERIALS.

UNDER NO CIRCUMSTANCE SHOULD ANY NAKED FLAME SOURCES OR HEATING DEVICES BE USED UNDER OR NEAR THE AWNING.

INSTRUCTION MANUAL

HARDWARE IDENTIFICATION CHART

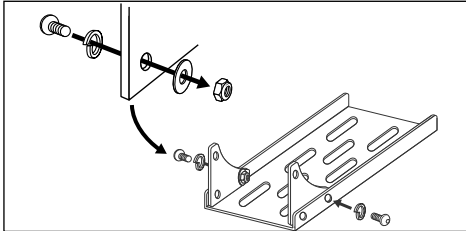
Bracket Base Plate	
Qty. 3	
Bracket Corner Plate	
Qty. 6	
Bracket Face Plate	
Qty. 3	
20mm M6 Bracket Bolt	
Qty. 12	
25mm M6 Bracket Bolt	
Qty. 6	
M6 Washer	
Qty. 18	
M6 Spring Washer	
Qty. 18	
M6 Nyloc Nut	
Qty. 18	
3-Hole Plate	
Qty. 6	

U Bolt	
Qty. 6	
M8 Nyloc Nut	
Qty. 6	
M8 Washer	
Qty. 18	
M8 Spring Washer	
Qty. 12	
25mm M8 Mounting Bolt	
Qty. 6	
Tension Strap	
Qty. 2	
LED Power Cable	
Qty. 1	
Pegs	
Qty. 13	
Guy Ropes	
Qty. 11	

ASSEMBLE MOUNTING BRACKETS

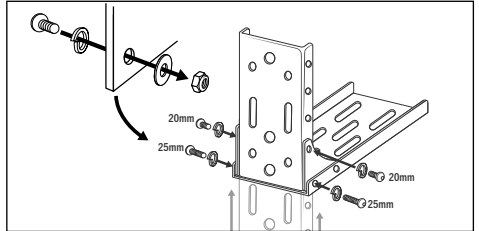
STEP 1.

Attach two bracket corner plates to a bracket base plate using 20mm M6 bolts, nyloc nuts, flat washers, and spring washers.



STEP 2.

Attach a bracket face plate using 20mm and 25mm M6 bolts, nyloc nuts, flat washers, and spring washers. The face plate can be positioned at various heights to suit your setup.



STEP 3.

Repeat Steps 1 and 2 to assemble the remaining two mounting brackets.

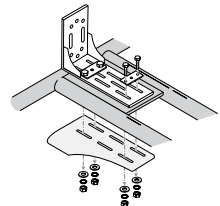
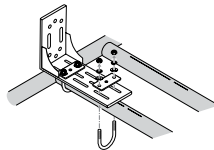
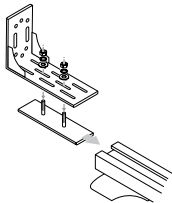
ATTACH MOUNTING BRACKETS TO ROOF RACK

Darche's Eclipse Awning brackets have been designed to fit most common roof rack configurations. However, with the ever increasing number of roof rack designs available it is difficult to supply a mounting bracket to accommodate all. Below are examples of how to mount the Eclipse Awning brackets to Flat style and Basket style

roof racks. The bracket can also be mounted on roof bars, however, additional specific attachments may need to be sourced from your roof rack supplier.

If in doubt, visit your roof rack specialist for specific roof rack mounting options and advice on load capacities.

DARCHE CHANNEL BOLTS AVAILABLE FOR THIS TYPE OF APPLICATION. (SOLD SEPERATLY)

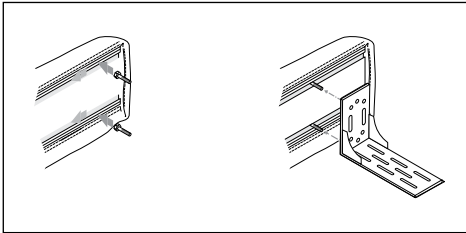


INSTRUCTION MANUAL

ATTACH AWNING TO BRACKET

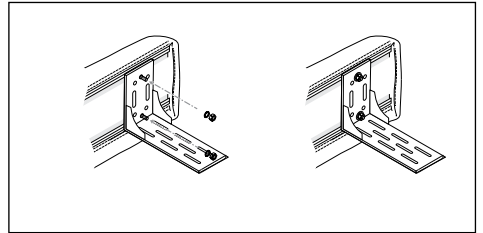
STEP 1.

Insert the 25mm M8 bolts into the grooves in the backing plate at locations corresponding with the setup of your mounting brackets.



STEP 2.

Fasten with M8 nyloc nuts and M8 washers.



Darche recommend using an experienced after-market 4x4 Accessories fitter to mount the Eclipse Awning to your vehicle. Fasteners and fixing connections should be checked regularly on both the awning and roof rack to ensure the awning is always mounted securely to your vehicle roof rack.

! Ensure the unsupported ends of the awning do not exceed 500mm.

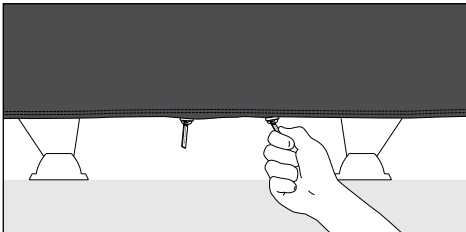
Darche takes no responsibility for the fitment of the Eclipse Awning to any vehicle or roof rack.

! PROLONGED TRAVELLING ON UNEVEN ROUGH OR CORRUGATED TERRAIN WILL REQUIRE MORE FREQUENT INSPECTIONS.

SET-UP YOUR AWNING

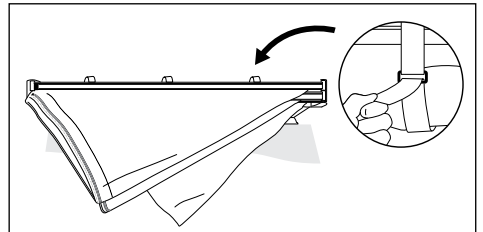
STEP 1.

Unzip cover and fold it over the awning body.



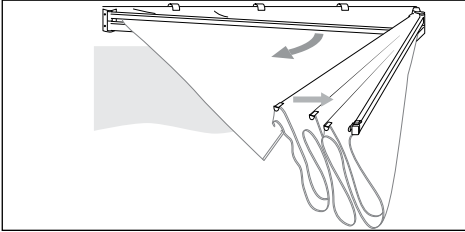
STEP 2.

Release the three straps and allow canvas to drape.



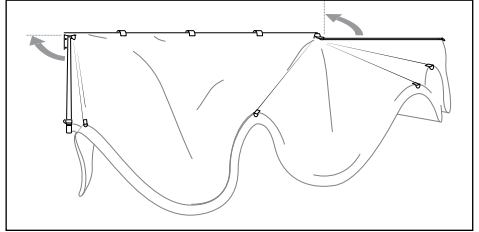
STEP 3.

Swing out rear arms to 90°. Then swing out the front arm fully.



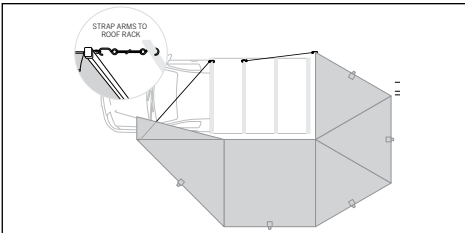
STEP 4.

Attach front arm to roof rack using supplied tension strap - Tension gently.



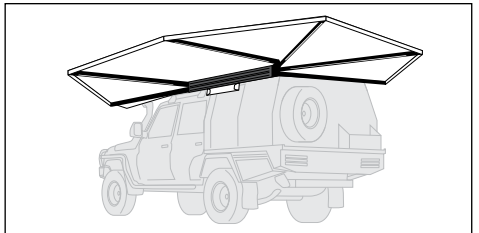
STEP 5.

Swing out rear arms fully toward rear of vehicle and attach to roof rack using supplied tension strap. Tension fully, adjust front arm tension.



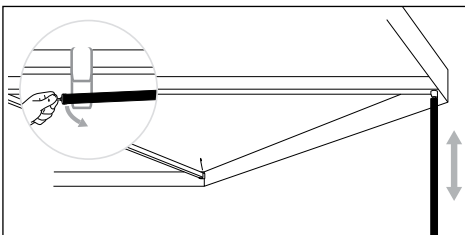
TIP:

You are now set up for freestanding mode. Max freestanding wind rating is 25 - 30 km/h. We recommend going through the next steps to fully set up your awning.



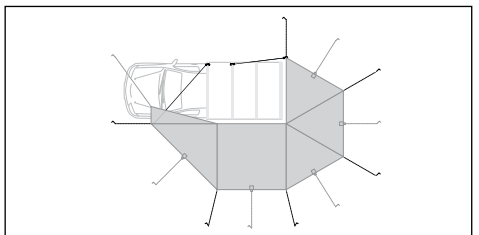
STEP 6.

Undo the straps securing each support leg. Leg will pivot down to a vertical position. Adjust to desired height by unlocking & locking the internal twist locking mechanism



STEP 7.

Secure the end of each rafter by anchoring and tensioning guy ropes.



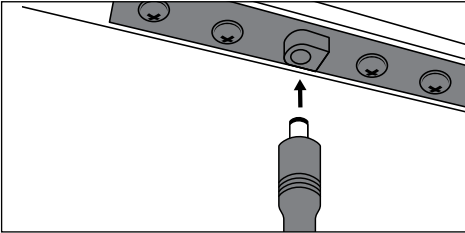
TIP: In case of rain, lower the support legs to allow slight downward slope & guy off between rafters to form valleys for water run-off.

INSTRUCTION MANUAL

LIGHTING SET-UP

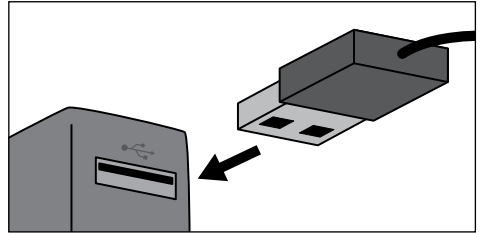
STEP 1.

Plug each barrel jack into ports in each of the arms with integrated LED strips.



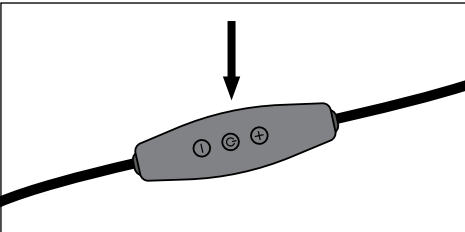
STEP 2.

Plug the USB jack into a suitable external power source.



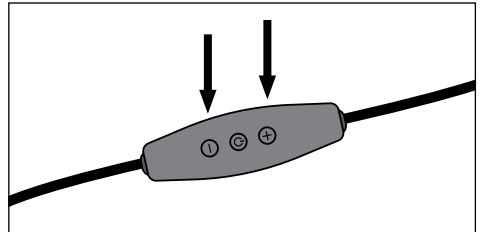
STEP 3.

Use the power button to toggle between white & amber light modes.



STEP 4.

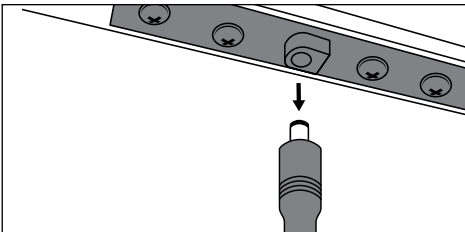
Use the + and – buttons to adjust brightness.



PACK-DOWN YOUR AWNING

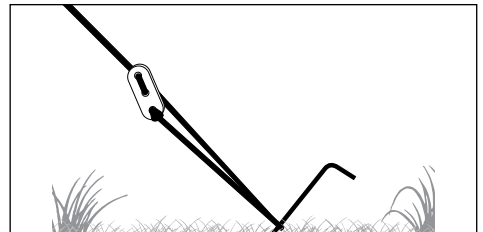
STEP 1.

Unplug all barrel jacks.



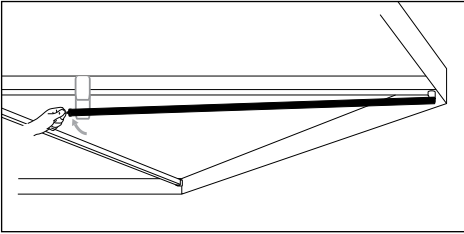
STEP 2.

Undo all pegs and guy ropes.



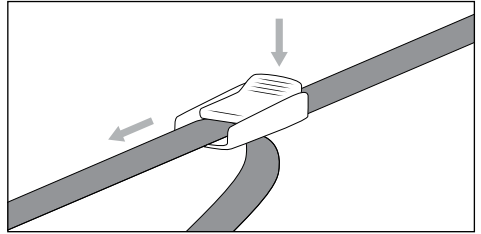
STEP 3.

Fold away legs and stow away using attached straps.



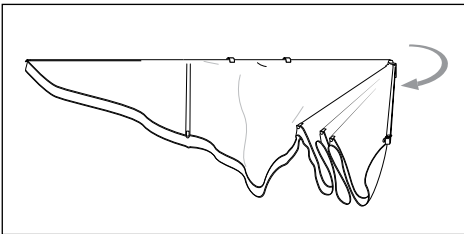
STEP 4.

Release front and rear tension straps.



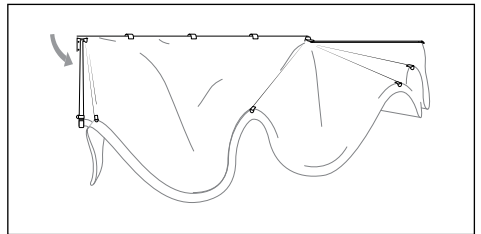
STEP 5.

Fold the rear side of awning back 90° from the awning body ensuring the top rafters sit directly on top of the bottom rafters.



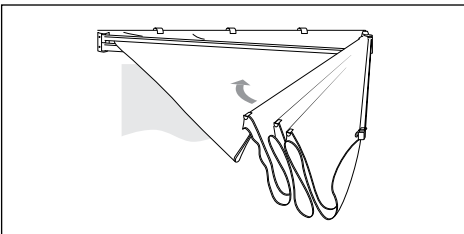
STEP 6.

Fold the front side of awning back 90° from the awning body ensuring the top rafters sit directly on top of the bottom rafters.



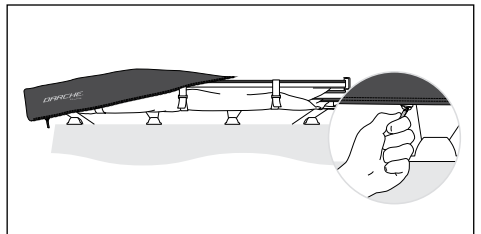
STEP 7.

At this point fold the front of the awning toward the awning body followed by the rear side. Canvas should drape down in a triangular shape.



STEP 8.

Roll canvas and secure using attached straps. Position transit cover over awning and zip up.



I N S T R U C T I O N M A N U A L

CARE & STORAGE INSTRUCTIONS

FREESTANDING ABILITY

1. Darche recommends that all leg poles and guys ropes be used at all times when the awning is deployed. However, the awning may be used without leg poles in winds of up to 30km/hr.
2. When used in freestanding mode, the user must be aware that gusts of wind exceeding the awning's tolerance may appear without warning. Darche is not responsible for any damages or injuries caused by failure due to wind or adverse weather. Wind damage is not covered under warranty.
3. In windy conditions it is highly recommended not to erect the awning as personal injury and/or property damage may occur.

CLEANING

1. Clean with cold water and a soft bristle brush. Do not use soaps and detergents. Do not expose to petrol, diesel, oils or chemicals of any nature.
2. When cleaning your awning transit cover, avoid spraying water directly at the zip as water may penetrate the transit cover. If this occurs, open up your awning and ensure that it is allowed to be air dried before being packed away. Failure to do so may lead to the growth of mould.

WATERPROOFNESS

1. While every attempt has been made to mitigate water ingress into the awning transit cover, the transit cover is not waterproof. It should be opened periodically and checked, particularly after heavy rain.

VEHICLE FITTING

1. Darche recommends using an experienced aftermarket 4x4 accessories fitter to mount the Eclipse Awning to your vehicle. Fasteners and fixing connections should be checked regularly on both the awning and roof rack to ensure the awning is always mounted securely to your vehicle roof rack.
2. Prolonged travelling on uneven, rough or corrugated terrain will require more frequent inspections.
3. Ensure the unsupported ends of the awning do not exceed 500mm protruding past the front or rear bracket.
4. Darche's Eclipse Awning brackets have been designed to fit most common roof rack configurations. However, with the ever increasing number of roof rack designs now available it is difficult to supply a mounting bracket to accommodate all. If in doubt please visit your roof rack specialist for specific roof rack mounting options and advice on load capacities.
5. Darche takes no responsibility for the fitment of the Eclipse Awning to any vehicle or roof rack.

STORING YOUR AWNING

Correct storage is vital for the longevity of your Eclipse Awning. If on occasion the awning is required to be stowed wet, it is essential it is unpacked and dried as soon as possible. Rot, mildew damage and failures caused by incorrect storage is not covered under warranty.

STRUCTURAL INTEGRITY

This Awning has been designed for general camping in normal conditions. This Awning is designed as a temporary shelter, not a permanent structure. Do not leave up for extended periods and do not leave unattended.

To avoid the chance of personal injury and or property damage, DARCHE® recommends this Awning should not be erected or used in extreme weather conditions. Your vehicle should not be moved while the Awning is deployed.

USING LED LIGHTING

An LED light strip is supplied with this awning. This LED light strip comes with a USB connection that requires an external power supply from a USB portable power bank ie 5V, 1.2A. (*Power bank not supplied*).

Any alterations to this electrical system may cause a safety risk and will void the product warranty

For exact lighting specifications and required outlet rating please refer to our website (www.darche.com.au), or get in touch with our customer service team (P: 1300 367 695, E: info@darche.com.au).

- **DO NOT** use extension leads to power this light.
- Check the rating of the power source before connecting the light to avoid a dangerous situation.
- **ONLY** connect this light to a suitably rated outlet.
- **DO NOT** stare at the light source as it may cause damage to your eyes.
- This light has been specially designed and should only be used with this product.
- Not suitable for use in any other application other than its intended purpose.

I N S T R U C T I O N M A N U A L

Designed and tested in Australia for Australian conditions.

A brand by Charles Parsons.

Telephone 1300 367 695 | Email: info@DARCHE.com.au

75 Heyington Avenue, Thomastown VIC 3074, Australia.

DARCHE: LEADERS IN OUTDOOR DESIGN. PROUDLY AUSTRALIAN.

Due to our policy of continual product development,
the specifications, colours and features may vary.

V1 - August 2023

