



RHINO-RACK®

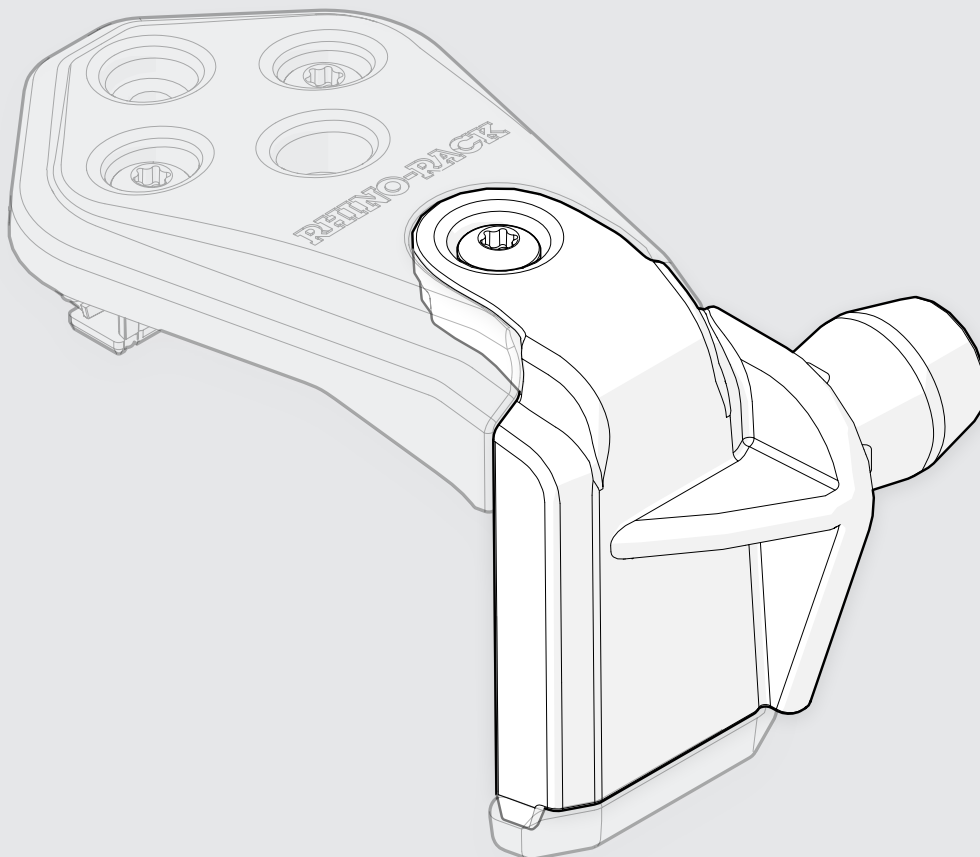
Stow-it Roller Adapter OSIT

Important:

1. Check the Rhino-Rack website to ensure you have the latest issue of these instructions.
2. Please refer to your fitting instruction to ensure that the roof racks are installed in the correct locations.
3. Check the contents of kit before commencing fitment and report any discrepancies.
4. Place these instructions in the vehicle's glove box after installation is complete.
5. These instructions must be followed for warranty to be upheld.

Fit Time: 10 mins

STOW IT™



Rhino-Rack AUSTRALIA
22A Hanson Pl,
Eastern Creek, NSW, 2766
(02) 8846 1900
rhinorack.com.au

Rhino-Rack USA
Unit D, 2450 Airport Blvd,
Aurora, CO, 80011
877-744-6622
rhinorack.com

Rhino-Rack CANADA
19100 Airport Way
Pitt Meadows, BC V3Y OE2
rhinorack.ca

Document No: 520-RFI-00059
Issue No: 01
Issue Date: 18/11/2021

Instructions

Carrying Capacity

The maximum permissible **static** cargo capacity on a pair of Brackets is **60kg/132lbs**.

*Check the vehicle owners hand book for your vehicle manufacturer's maximum carrying capacity. Do not exceed the vehicle manufacturer's maximum roof carrying capacity. The weight of the roof racks, that the accessory is attached to, must also be included in the total vehicle roof load.



**0.5kg / 1.1lbs
PER PAIR**

STATIC LOAD:

**60kg / 132lbs MAX load
limit per bracket pair.**

NOTE: Static load refers to load that is applied when the vehicle is not in motion. Roller is not designed to withstand or support weight during travel.

Warning

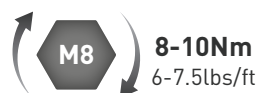
- Check part number or kit is correct for use with your vehicle.
- Do not attempt to fit the bed rack system to your vehicle unless you fully understand these fitting instructions. Please direct any questions regarding fitting to the dealer from where the roof racks were purchased.
- Off-road conditions can be much more rigorous. Extreme care must be taken on any driven path that does not contain a surface protection layer (tar/bitumen).
- Bed racks must be removed when vehicle is put through an automatic car wash.
- With utility/pick up vehicles, the cabin and the truck bed move independently. Bed racks and vehicle can be damaged if the item transported is rigidly fixed at points on both the cabin and truck bed. Instead, rigidly fix to either the bed racks or the canopy roof racks.
- Always ensure you fasten your load securely.
- Use only non-stretch fastening ropes or straps to attach cargo to your load.

In service maintenance checks

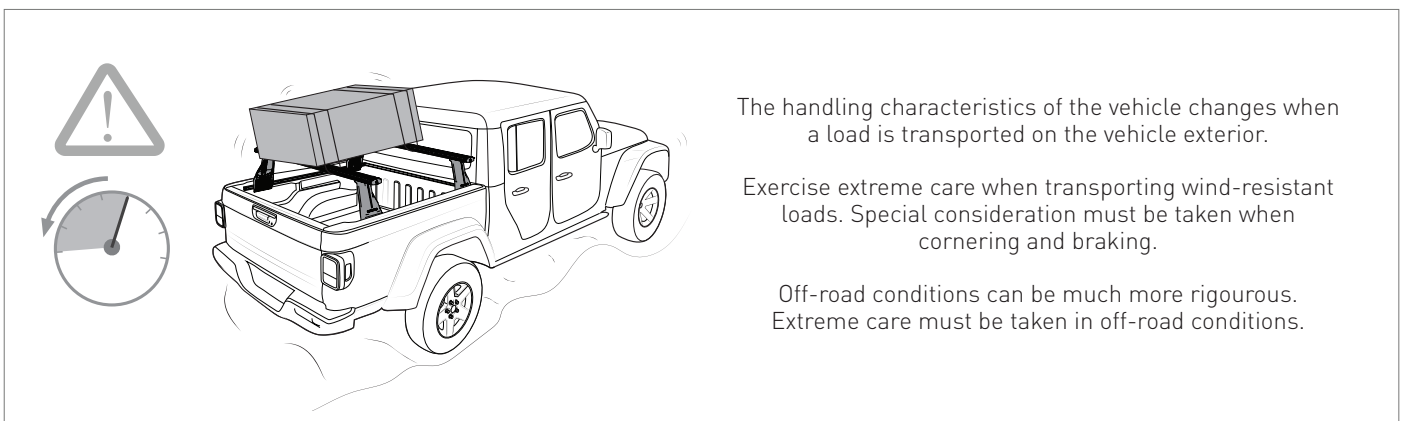
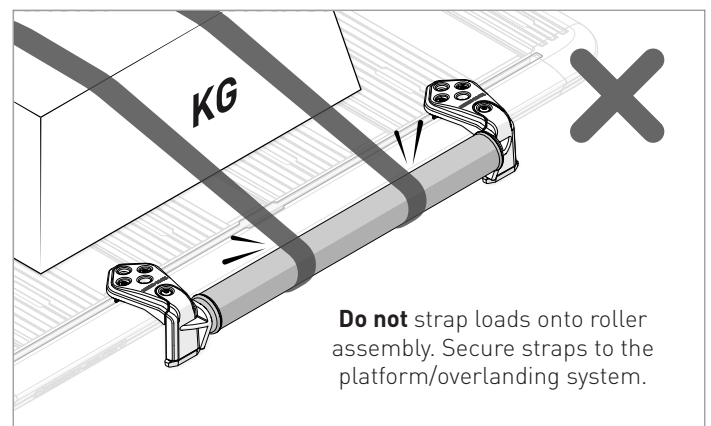
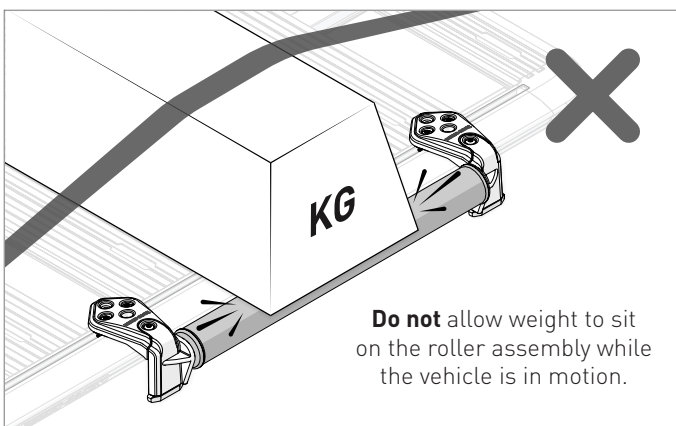
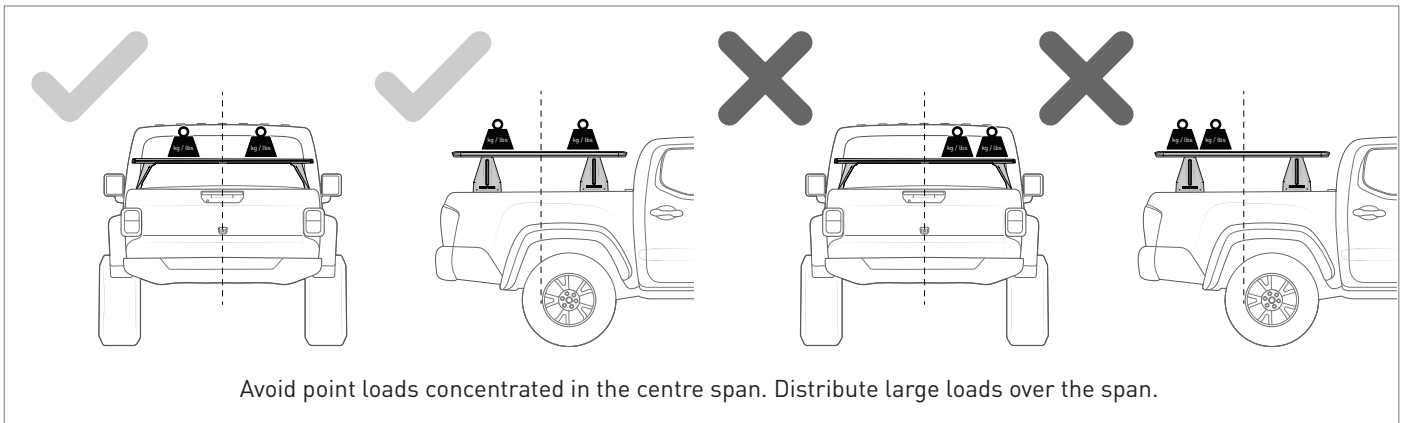
- All bolt connections should be checked after driving a short distance when you first install your roof racks.
- All bolted connections should be checked again at regular intervals (weekly is recommended, depending on road conditions, usage, loads and distances travelled).
- All bolted connections should be checked each time they are re-fitted.
- Off-road conditions are more rigorous. Check all bolted connections and your load more regularly.
- Ensure that your vehicle manufacturer's GVM, and gross axle weights are not exceeded (refer to vehicle owner's manual).

Torque Settings:

Unless stated otherwise in these instructions, all fasteners should be set to the following torque settings:



Instructions

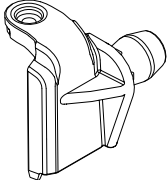
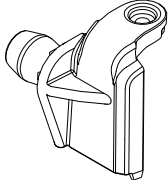
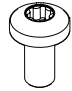



Note for Dealers and Fitters

It is your responsibility to ensure these fitting instructions are given to the end user or client. These instructions remain the property of Rhino-Rack Australia Pty. Ltd. and may not be used or changed for any other purpose than intended.

Instructions

Parts List

<p>Left Roller Adaptor</p>  <p>A x1</p>	<p>Right Roller Adaptor</p>  <p>B x1</p>	<p>M6 x 12 Torx Pan Head Screw</p>  <p>C x2</p>	<p>Torx Bit</p>  <p>D x1</p>
---	--	--	--

Tools Required:

T1 - Torque Tool (Supplied with 5XXXX Series Pioneer Platform)

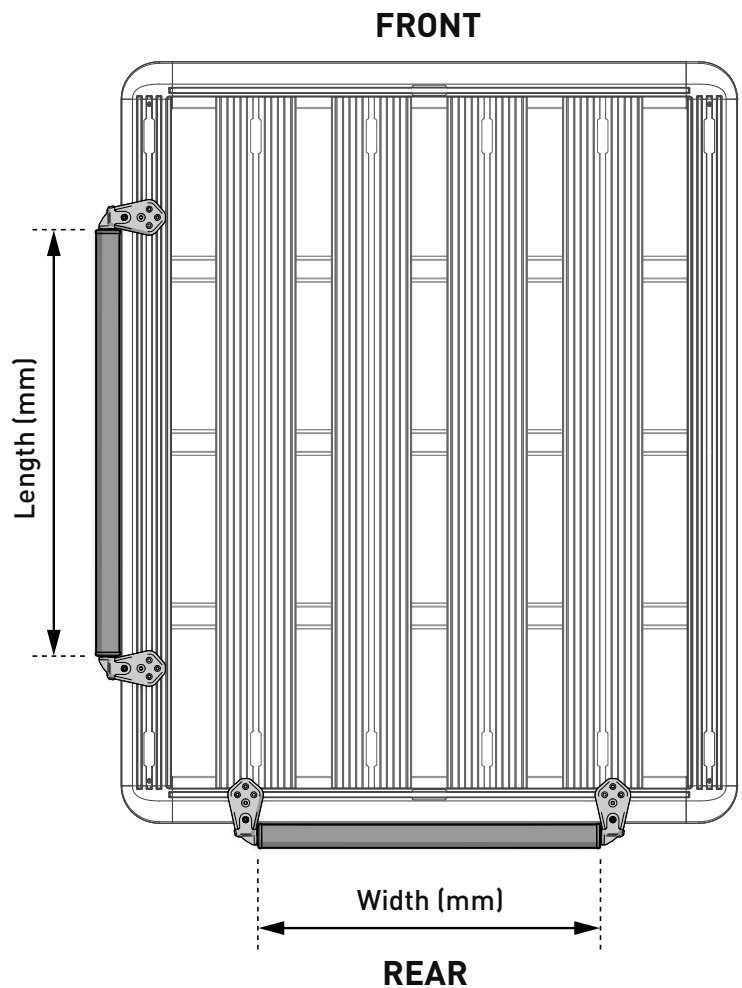
Maximum Roller lengths:

FRONT AND REAR MOUNTING

Platform Width (mm)	Compatible rollers for mounting
1236	LR470, LR615, LR680, LR880
1376	LR470, LR615, LR680, LR880, LR1020
1426	
1465	
1586	

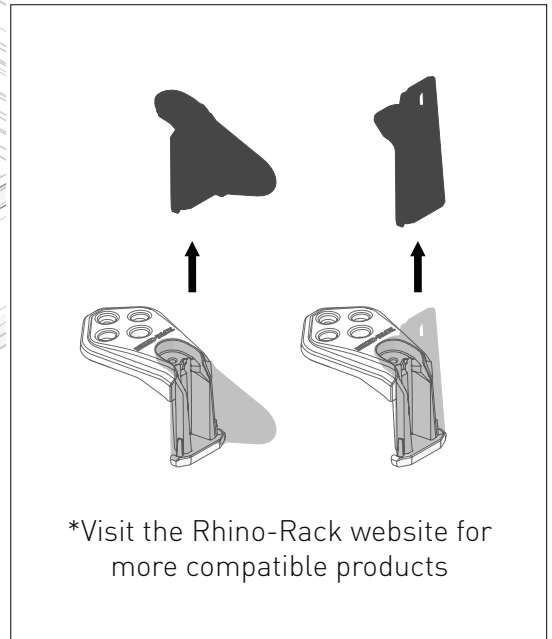
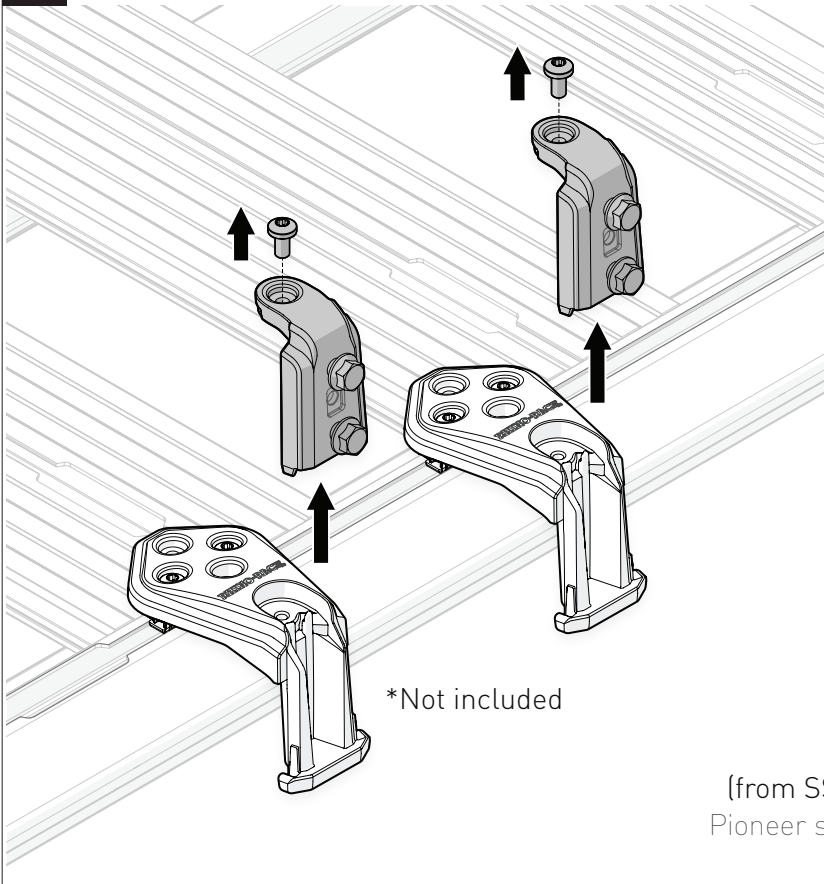
SIDE MOUNTING

Platform Length (mm)	Compatible rollers for mounting
928	N/A
1328	LR470, LR615, LR680
1528	LR470, LR615, LR680, LR880, LR1020
1828	
1928	
2128	
2528	
2728	



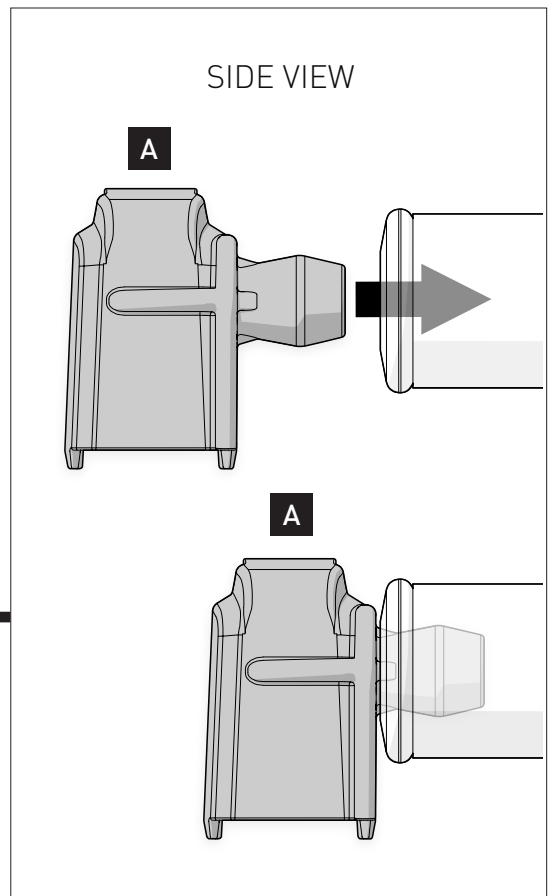
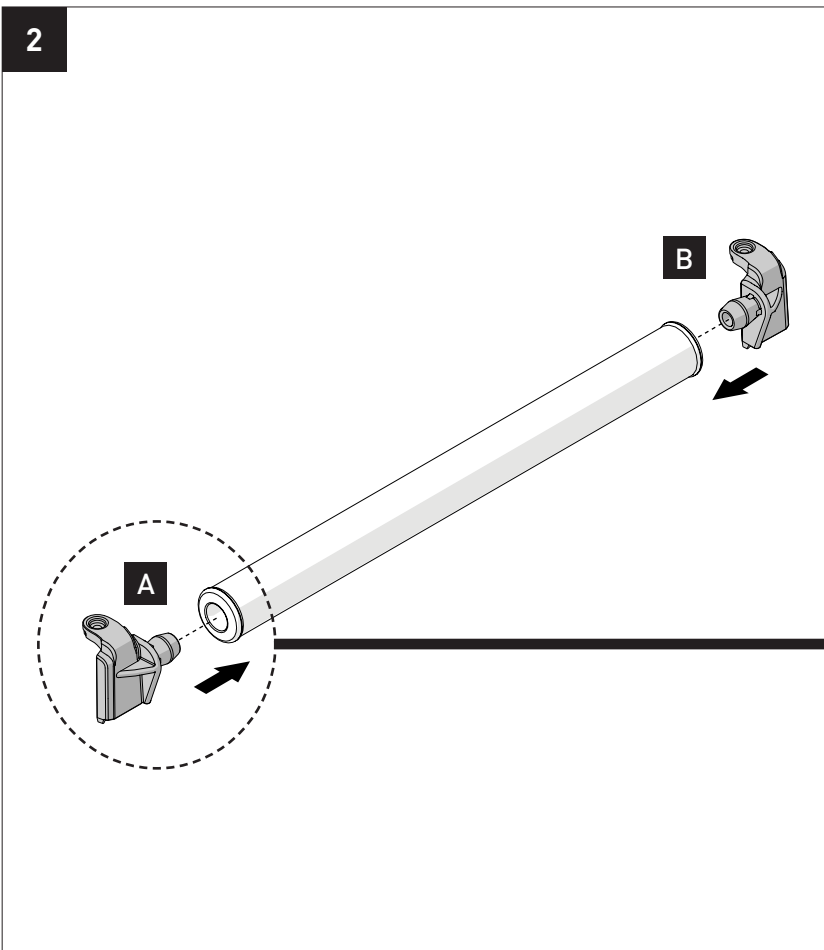
Instructions

1 Remove previous adapters. (If not installed proceed to Step **2**)



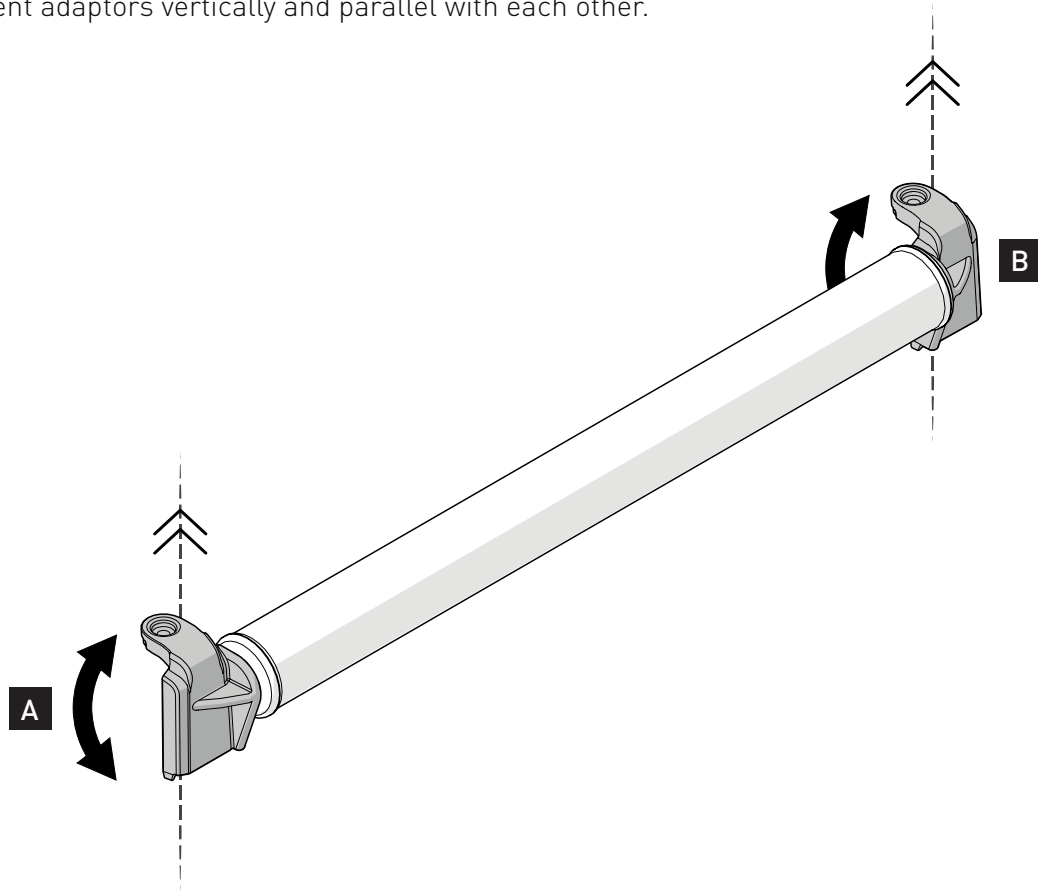
NOTE: Two STOW-IT Base Brackets (from SSIT Starter Kit) needed for this installation. Pioneer set-up shown as example in this instruction.

2

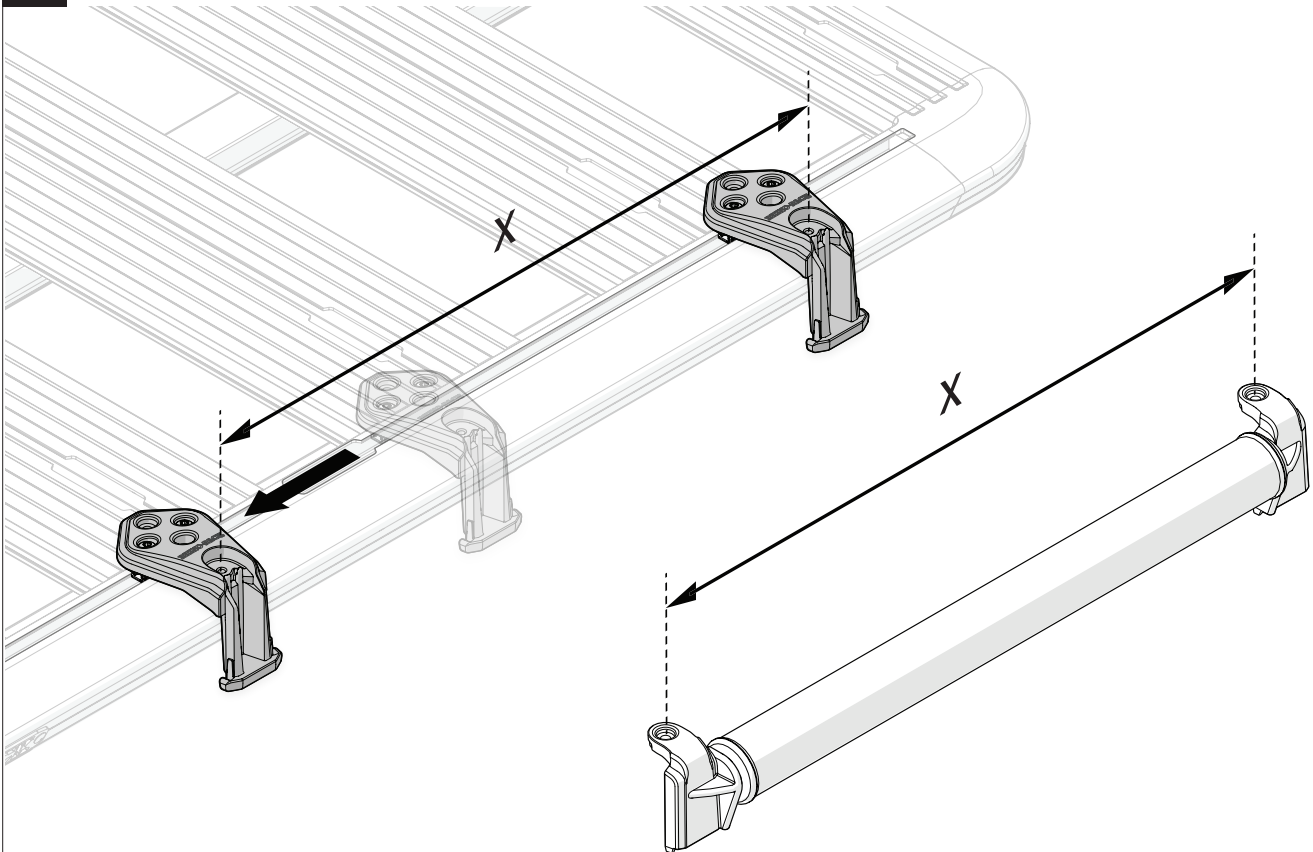


Instructions

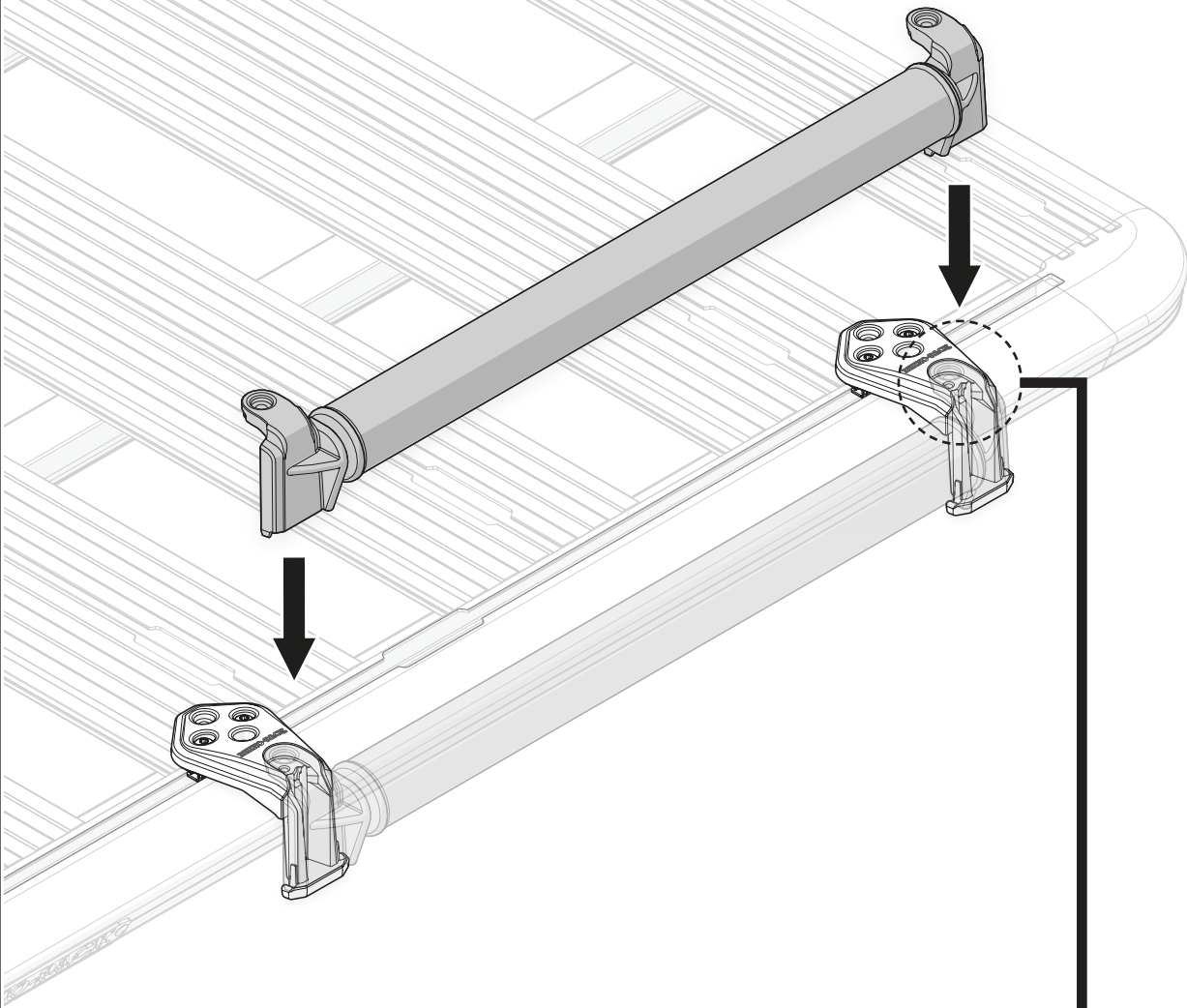
- 3** Orient adaptors vertically and parallel with each other.



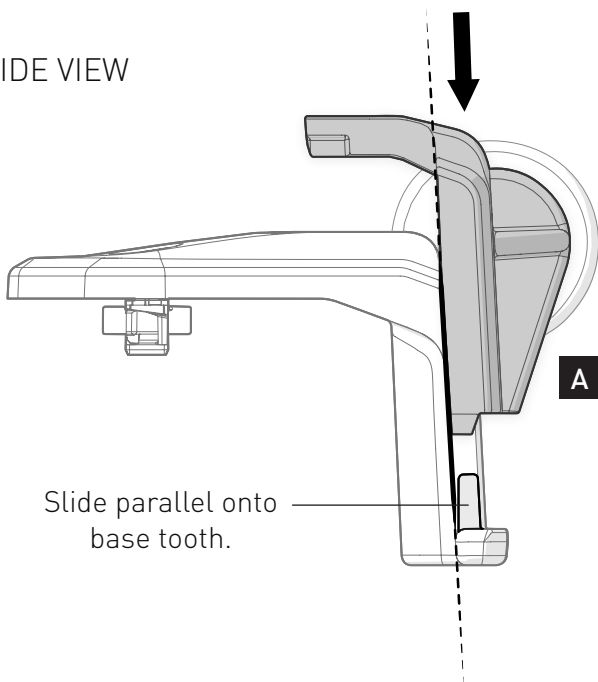
- 4** Loosen base bracket hardware and slide to the dimension of the roller bar. Finger tighten.



5



SIDE VIEW



Slide parallel onto base tooth.

NOTE: Ensure adapter catches onto both prongs

