



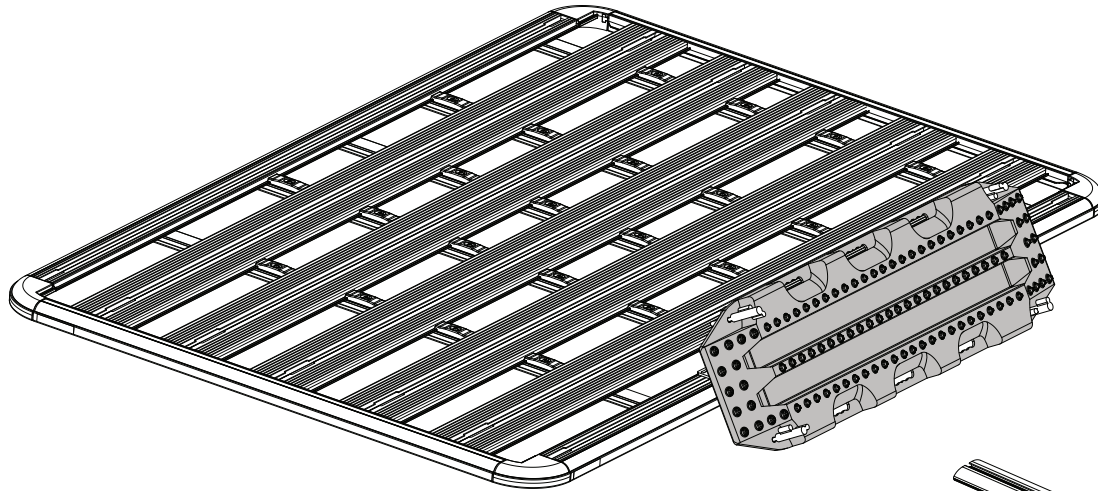
RHINO-RACK

Recovery Track Front/Side 75° degree Bracket (43159)

Requires a Maxtrax Mounting Pin Set MTXMPS

Important: Please read these instructions carefully prior to installation.
Please refer to your fitting instruction to ensure that the bracket is installed in the correct locations.
Check the contents of kit before commencing fitment and report any discrepancies.
Place these instructions in the vehicle's glove box after installation is complete.

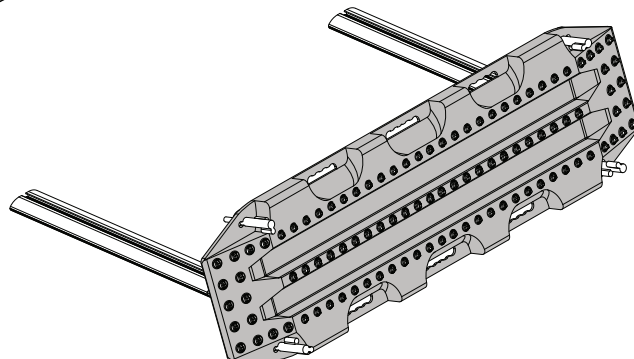
Layout



Can be used in conjunction with a
Rhino-Rack Shovel Holder bracket.

RSHB & RSHB-L

Distance between bars must be between
795mm to 980mm for use with MaxTrax.



Important Information

Recommendations:

The recommended maximum number of Maxtrax fitted on a set of bracket is 2. If fitting 3 or 4, a 43197 must be used to support the side rail.

Compatible with all Rhino-Rack Trays

Rhino-rack bars must be within 795 to 980mm distance apart.

Note for Dealers and Fitters:

It is your responsibility to ensure instructions are given to the end user or client.

Rhino-Rack
3 Pike Street, Rydalmere,
NSW 2116, Australia.
(Ph) (02) 9638 4744
(Fax) (02) 9638 4822

Document No: R668
Prepared By: Peter Luu
Authorised By: Chris Murty

Fit Time: 10min
Issue No: 06
Issue Date: 26/04/2016

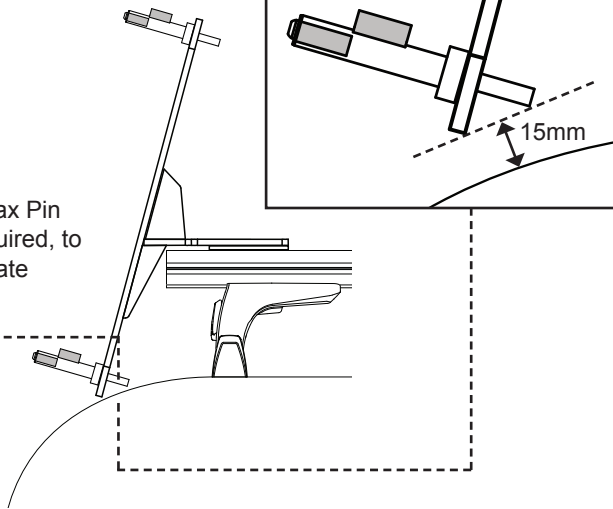
These instructions remain the property of RhinoRack Australia Pty. Ltd. and may not be used or changed for any other purpose than intended.



Recovery Track Front /Side 75° degree Bracket (43159)

Note

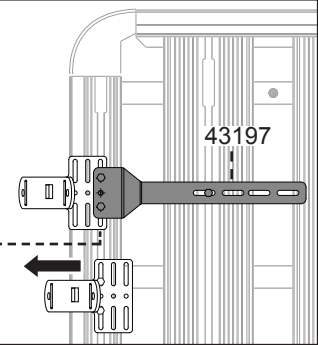
Trim Max Trax Pin thread if required, to allow adequate clearance.



Check Clearance before use. Must be minimum 15mm. If necessary trim end of Max Trax Pin thread. Move Bracket to outer hole to extend clearance.

Moving the Bracket to the outer hole position will generate a greater clearance with the roof. 43197 (sold separate) will aid in minimising any Bracket flex.

Move forward to outer hole position.



Item	Component Name	Qty.	Part No.
1	Maxtrax Side/Front Bracket	2	CA1425
2	M6 x 20 Hex Bolt	6	B082
3	M6 Spring Washer	6	W004
4	M6 Flat Washer	6	W031
5	M6 Nut Plate	2	CA1426
6*	Mounting Pins	4	-
7*	M10 Flat Washer	4	-
8*	M10 Nyloc Nut	4	-
9	Fitting instruction	1	R668

Parts List

1. Bracket
2. Bolt
3. Washer
4. Washer
5. Nut Plate

*Sold Separately

Mounting Pin Set

(not included)

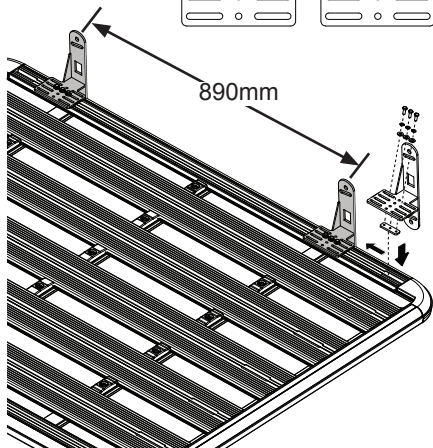
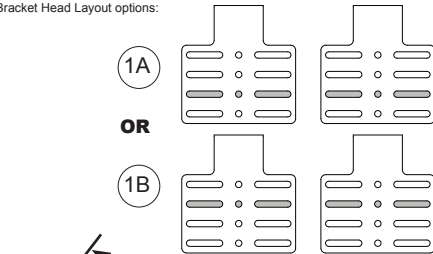
6. Pin
7. Washer
8. Nut

Parts Required

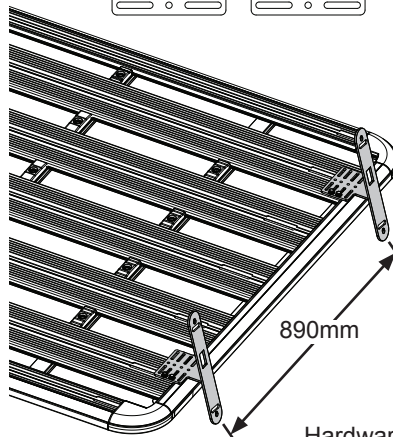
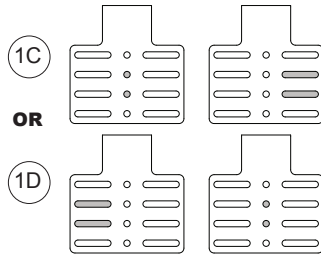
Maxtrax Spanner
Mounting Pin Set

1 Assemble the bracket as in layout A, B or C with any of the available options as shown. Do the same for the other bracket and adjust so that they are 890mm apart. Finger tighten at this stage.

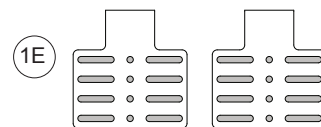
Bracket Head Layout options:



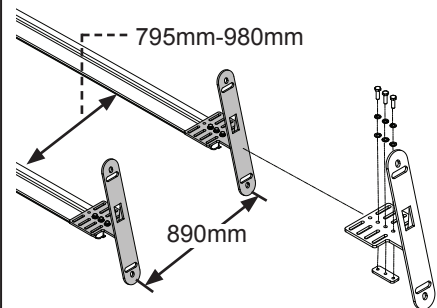
Hardware:
6 x Bolt
2 x Nut



Hardware:
4 x Bolt
2 x Nut



Layout is dependant on the distance between the bars.
Min Distance: 795mm
Max Distance: 980mm



Hardware:
6 x Bolt
2 x Nut



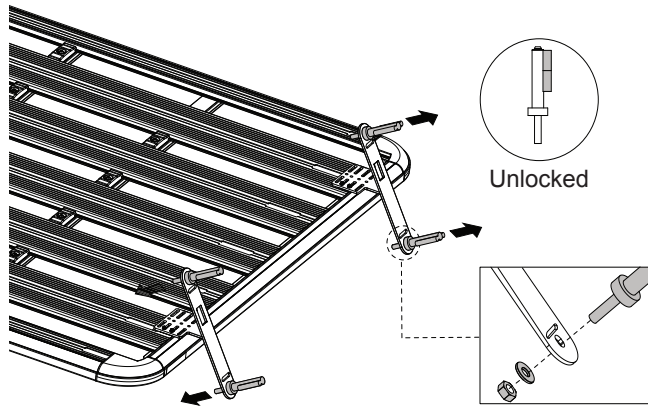
If extra clearance is needed from the bracket, then utilise the outermost slots as shown:



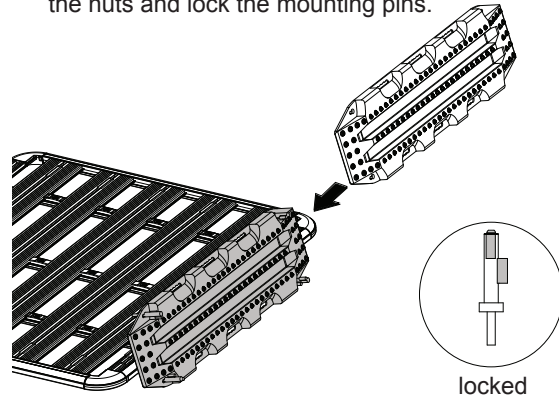


Recovery Track Front/Side 75°degree Bracket (43159)

2 Assemble the mounting pins onto the brackets. Make sure that the pins are unlocked and facing outwards. Finger Tighten.

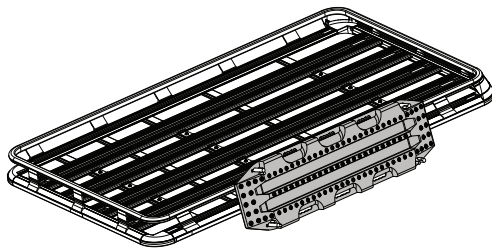


3 Place the Maxtrax through the mounting pins, onto the brackets. Make some adjustments if required. Tighten the nuts and lock the mounting pins.



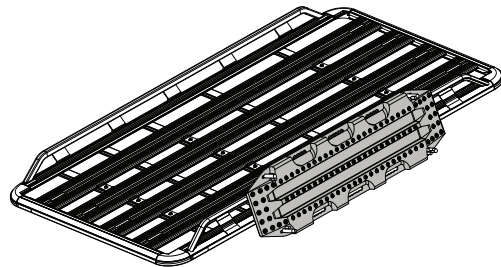
Mounting 3 or 4 Recovery Tracks

Note: If mounting a quantity of 3 or 4 Recovery Tracks on a Pioneer platform or Pioneer Tradie, support bracket 43197 is required to support the side rail.

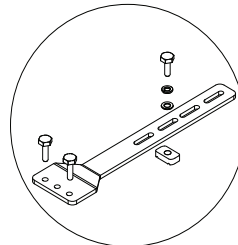


Pioneer Tray with welded sides does not require support bracket.

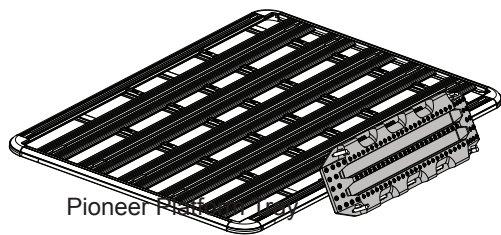
Note: When fitting to 45100B or 41100B/41101B you will be required to use the 43199 Strap Kit, MTXMPS cannot be used,



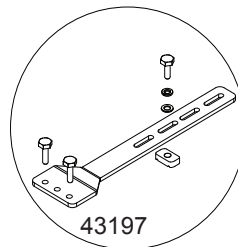
Pioneer Tradie



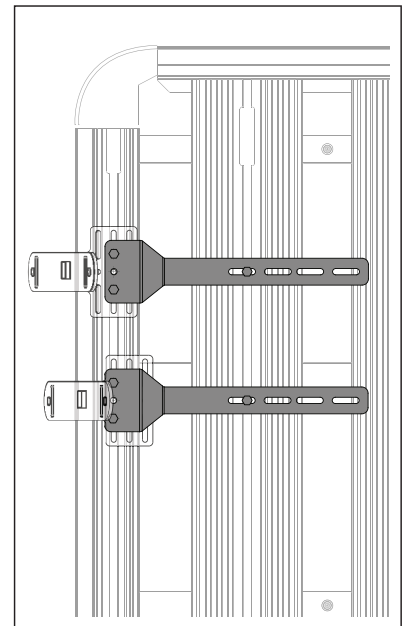
43197



Pioneer Platform



43197





Recovery Track Front /Side 75° degree Bracket (43159)

Rhino-Rack Shovel Holder - RSHB (sold separately)

Assemble and tighten the bracket after step 1 or 2 as shown. Ensure that the nut is positioned horizontally as shown in the rear view.

