



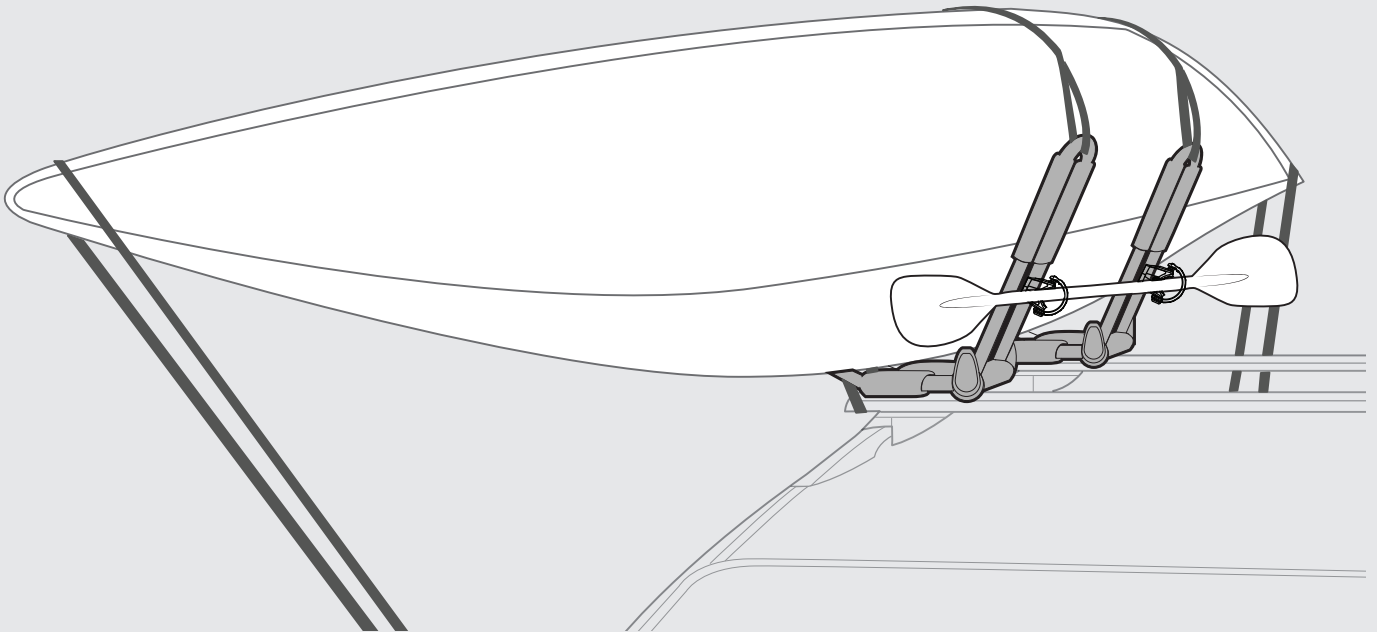
RHINO-RACK®

Folding Kayak Carrier S512

Important:

1. Check the Rhino-Rack website to ensure you have the latest issue of these instructions.
2. Please refer to your fitting instruction to ensure that the accessory is installed in the correctly.
3. Check the contents of kit before commencing fitment and report any discrepancies.
4. Place these instructions in the vehicle's glove box after installation is complete.
5. These instructions must be followed for warranty to be upheld.

Fit Time: 15 mins



Carrying Capacity

MAX CARRYING CAPACITY:

45kg / 99lbs

Check the vehicle owners hand book for your vehicle manufacturer's maximum carrying capacity. Do not exceed the vehicle manufacturer's maximum roof carrying capacity.

The weight of the roof racks, accessories, and kayaks must be included in the total vehicle roof load.

Ensure that all loads are evenly distributed and that the centre of gravity is kept as low as possible.

Warning

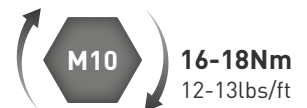
- Do not attempt to fit the accessory to your vehicle unless you fully understand these fitting instructions. Please direct any questions regarding fitting to the dealer from where the product was purchased.
- Off-road conditions can be much more rigorous. Extreme care must be taken in off road conditions.
- Accessory must be removed when vehicle is put through an automatic car wash.
- **Long loads such as canoes/kayaks must be secured to the front and rear of vehicle with non-stretch fastening ropes/straps.**
- Always ensure you fasten your load securely.
- Wash and clean roof racks prior to fitment.

In service maintenance checks

- All bolted connections should be checked after driving a short distance when you first install your roof racks & accessories.
- All bolted connections should be checked again at regular intervals (every 1000k/621mi) is recommended, depending on road conditions, usage, loads and distances travelled). All bolted connections should be checked each time they are re-fitted.

Torque Settings:

Unless stated otherwise in these instructions, all fasteners should be set to the following torque settings:



Sensitivity to Crosswinds, Behaviour in Curves and Braking.

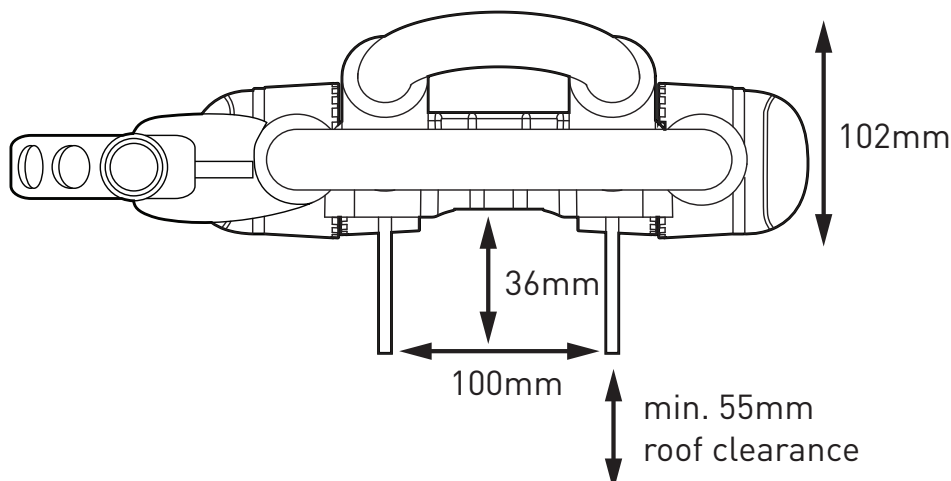
Remember that the handling characteristics of your vehicle will change when transporting a load on the roof.

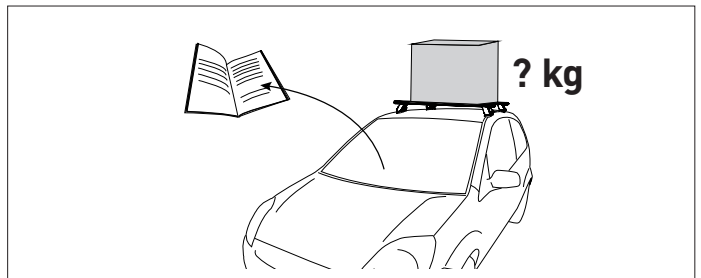
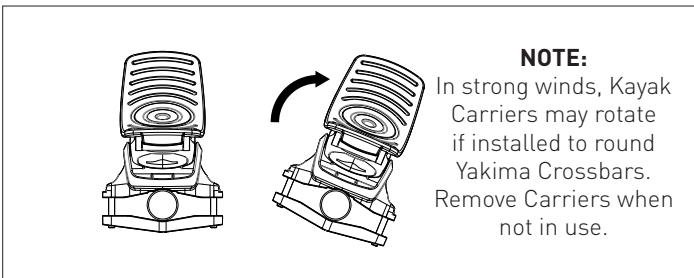
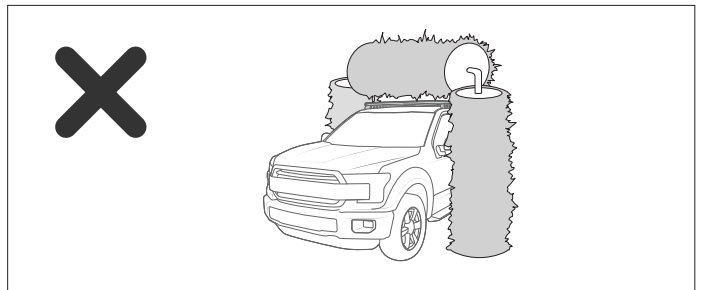
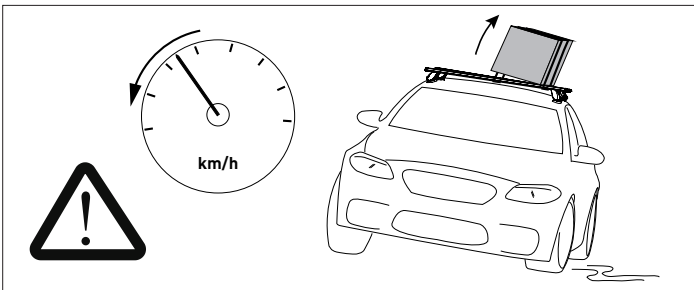
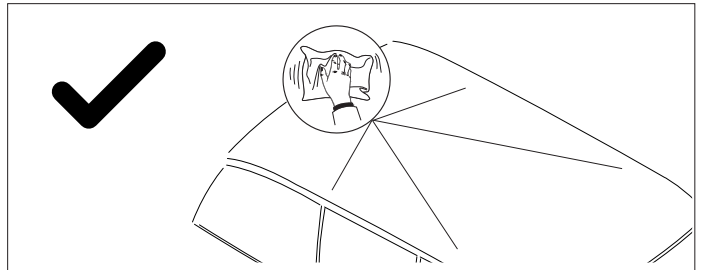
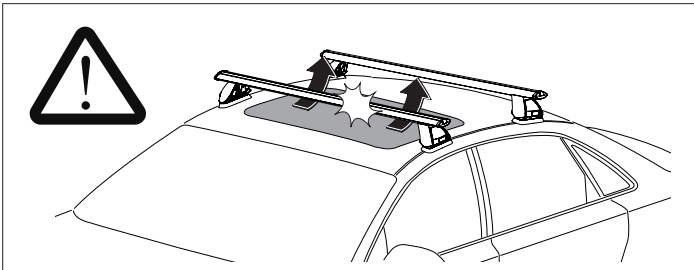
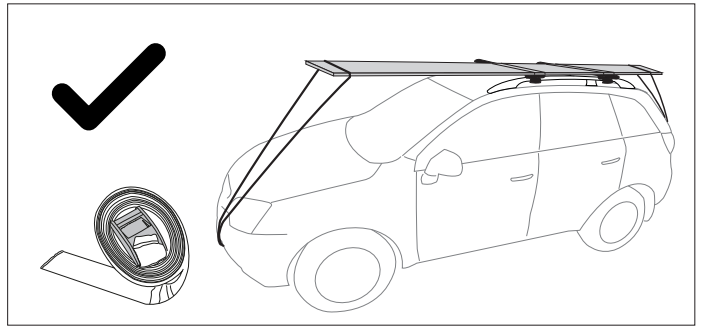
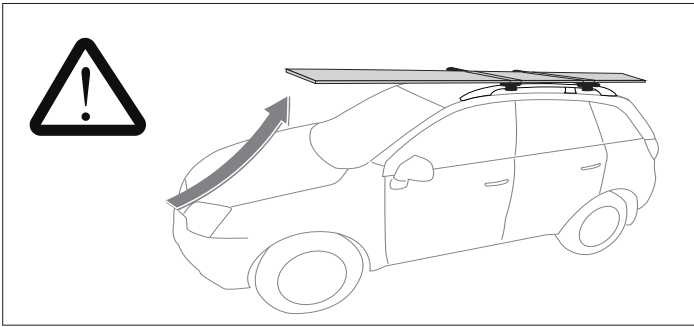
Exercise extreme care when transporting wind-resisting loads; special consideration must be taken into account when braking.

Note for Dealers and Fitters

It is your responsibility to ensure these fitting instructions are given to the end user or client. These instructions remain the property of Rhino-Rack Australia Pty. Ltd. and may not be used or changed for any other purpose than intended.

Product Dimensions





When these roof racks are to be used on a vehicle that is driven off sealed roads the maximum load rating must be divided by 1.5. Remember to subtract the weight of the roof racks to determine your maximum permissible load capacity.

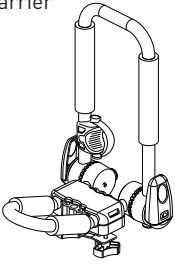
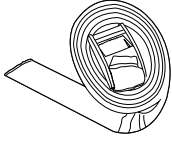
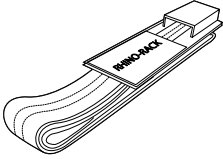

60kg load rating
(Urban road) = **30kg load rating**
(Off road - 60kg / 2)

WARNING! Important Load Carrying Instructions

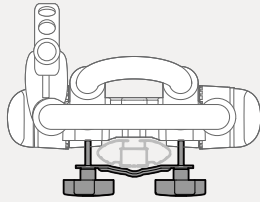
With utility vehicles, the cabin and the canopy move independently. Roof racks and vehicle can be damaged if the item transported is rigidly fixed at points on both the cabin and canopy. Instead, rigidly fix to either the cabin roof racks or the canopy roof racks.

Paddle / Surfboards should be fixed to the front of the vehicle.

Parts List

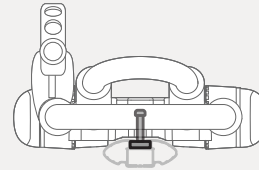
<p>Kayak Carrier</p>  <p>A x2</p>	<p>5.5m Tie Down Strap</p>  <p>B x2</p>	<p>3m Covered Buckle Straps</p>  <p>C x2</p>	<p>Instructions</p>  <p>D x1</p>
---	---	---	--

Clamping System (Universal Fitment):









Preassembled

C-Channel:



FIT KITS required
(see table below)

Compatibility

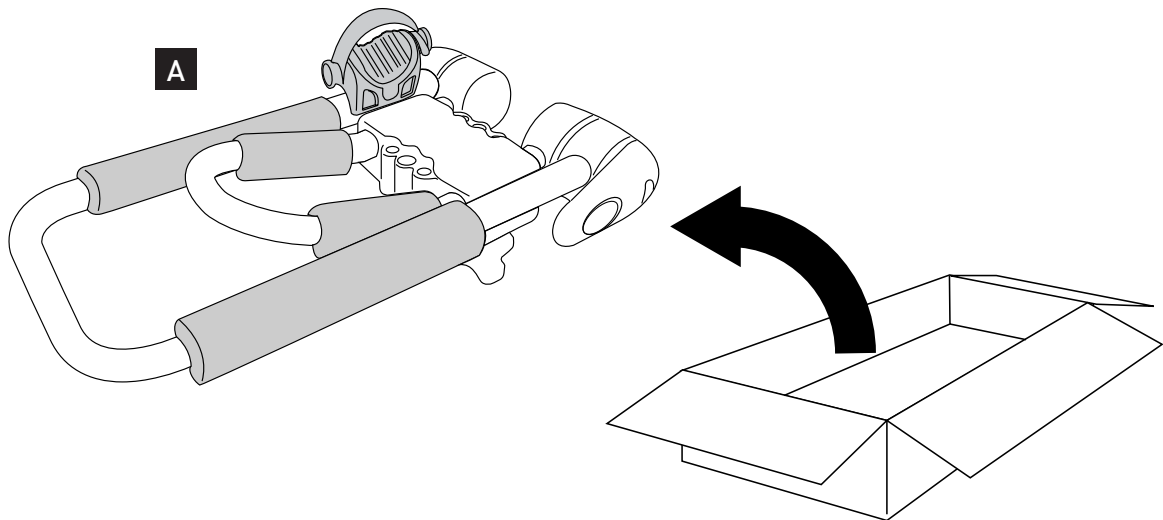
CROSS BARS	<p>VORTEX</p> 	✓	<p><u>Clamping System</u></p> <p>OR</p> <p><u>C-Channel</u></p>	<p>KC-FK8 FIT KIT REQUIRED for C-Channel Fit (Sold separately)</p> <p>REFER TO INSTRUCTION: R115</p>
	<p>HEAVY DUTY</p> 	✓	<p><u>C-Channel</u></p>	<p>KC-FK8 FIT KIT REQUIRED (Sold separately)</p> <p>REFER TO INSTRUCTION: R115</p>
	<p>RECONN-DECK</p> 	✗	-	-
	<p>EURO</p> 	✓	<p><u>Clamping System</u></p>	<p>KC-FK10 FIT KIT REQUIRED (Sold separately)</p> <p>REFER TO INSTRUCTION: R115</p>
PLATFORM	<p>PIONEER</p>  <p>+</p> <p>ACCESSORY BAR</p> 	✓	<p><u>Clamping System</u></p> <p>OR</p> <p><u>C-Channel</u></p>	<p>ACCESSORY BAR REQUIRED (Sold separately)</p> <p>KC-FK8 FIT KIT REQUIRED for C-Channel Fit (Sold separately)</p> <p>REFER TO SIZE-SPECIFIC INSTRUCTION and R115</p>

Additional Fitments

KC - FK9: Rola Aero and Rola Commercial bar

REFER TO INSTRUCTION: R115

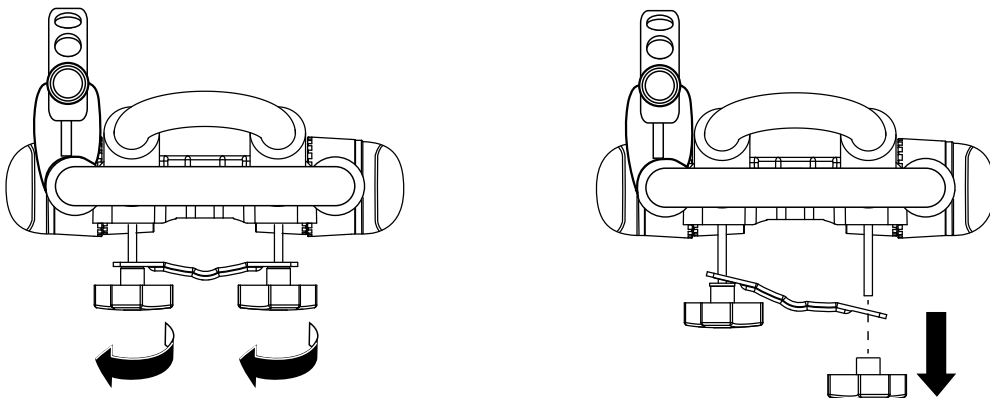
1



2

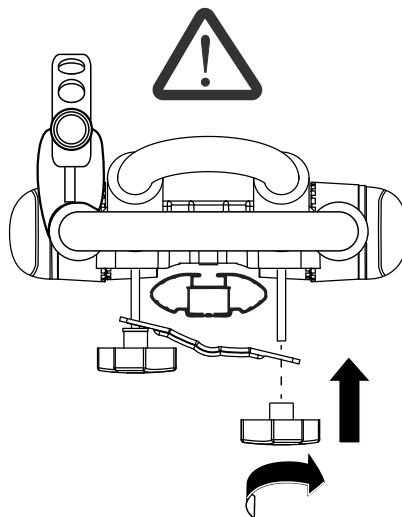
For Vortex Bar, Euro Bar and Accessory Bar Clamping System

For C-Channel fitments, skip to Step **3**



DO NOT overtighten.

*Vortex Bar shown
as example*

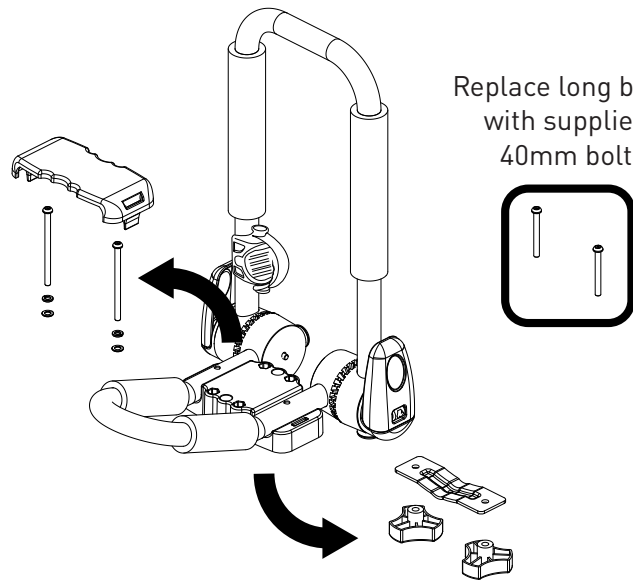


How to install FIT KITS for C-Channel Fitments

For Clamping System fitments, skip to Step **7**

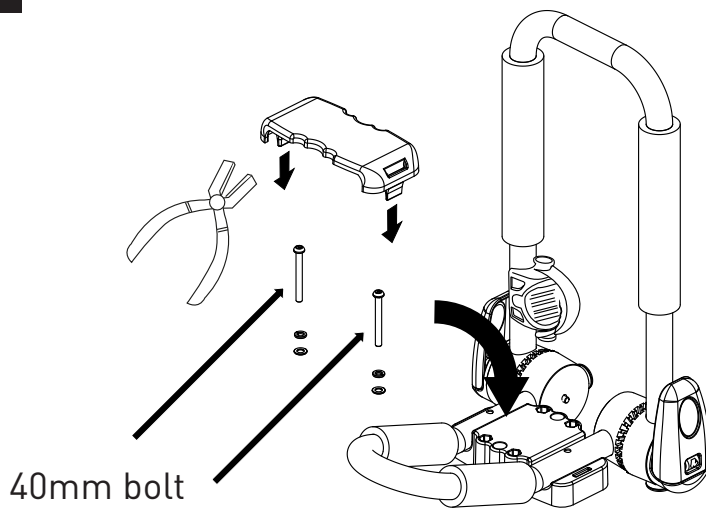
REFER TO INSTRUCTION R115

3



Replace long bolts
with supplied
40mm bolt

4

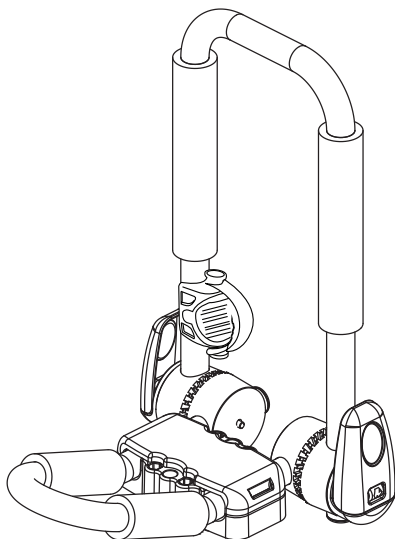


40mm bolt

Use soapy water on the rubber tabs to help insert cover back in place. Pliers can be used to assist insertion.

For the clamping system to work, the M6 fin loc and bolt must be tightened securely.

5



The 40mm bolts will not protrude out of the bottom.

The carrier is now ready for the C-channel fitment

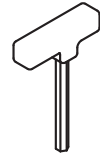
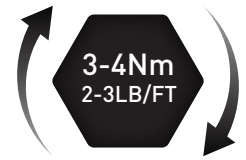
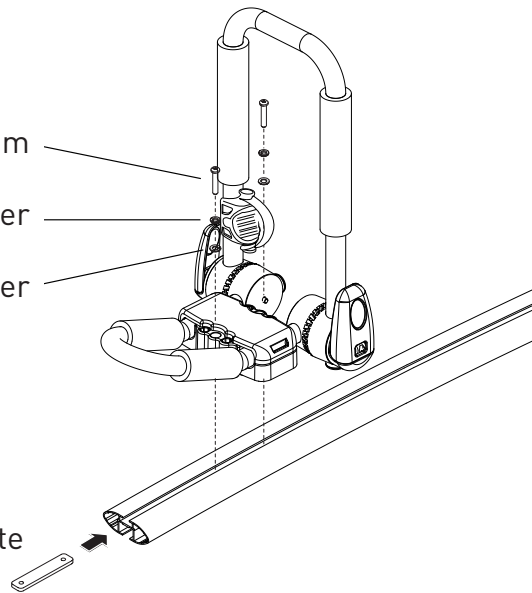
6a

FIT KIT: KC-FK8

Vortex/Sportz Crossbars

- M6 x 32mm
- M6 Spring Washer
- M6 Flat Washer

Nut Plate



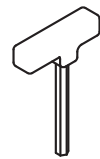
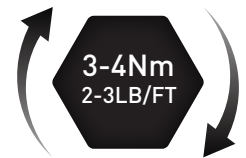
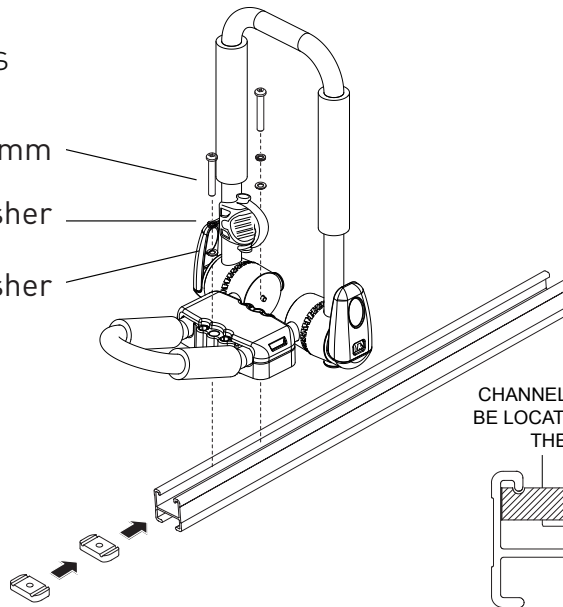
6b

FIT KIT: KC-FK8

Heavy Duty Crossbars

- M6 x 40mm
- M6 Spring Washer
- M6 Flat Washer

CHANNEL NUT MUST BE LOCATED ACROSS THE BAR



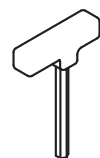
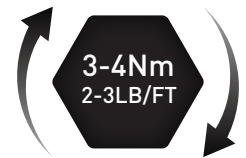
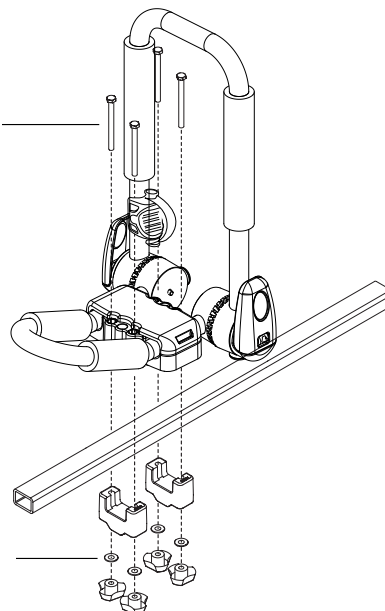
6c

FIT KIT: KC-FK10

Euro Crossbars

M6 x 70mm

M6 x 16mm Flat Washer



6d **FIT KIT: KC-FK8**

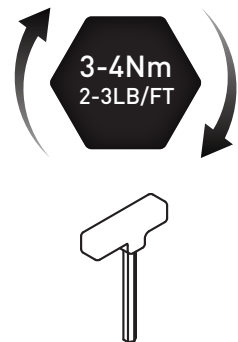
Pioneer Platform with ACCESSORY Bars

- M6 x 32mm
- M6 Spring Washer
- M6 Flat Washer

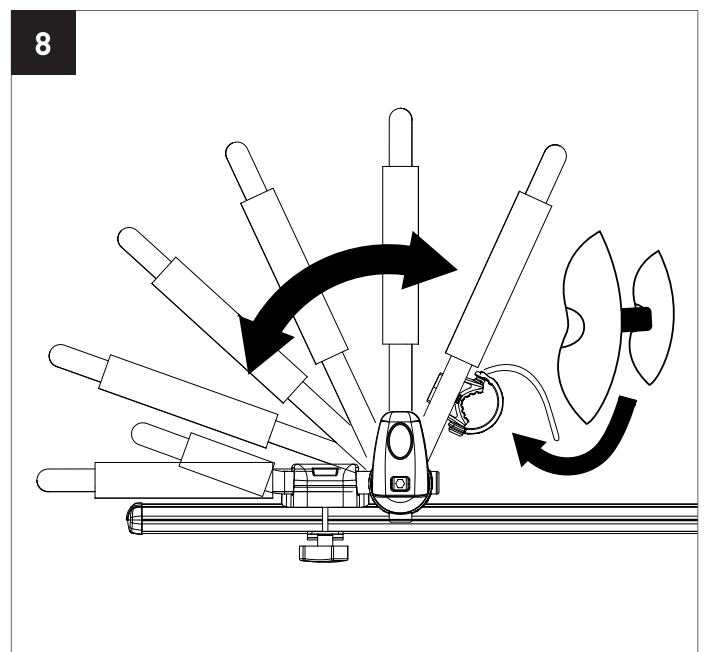
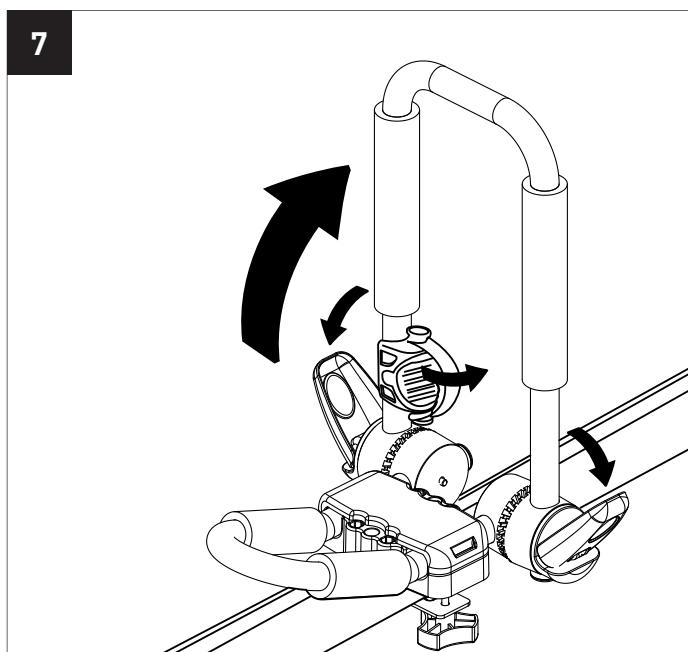
Nut Plate

Accessory bar required.
Refer to accessory bar instruction for install steps

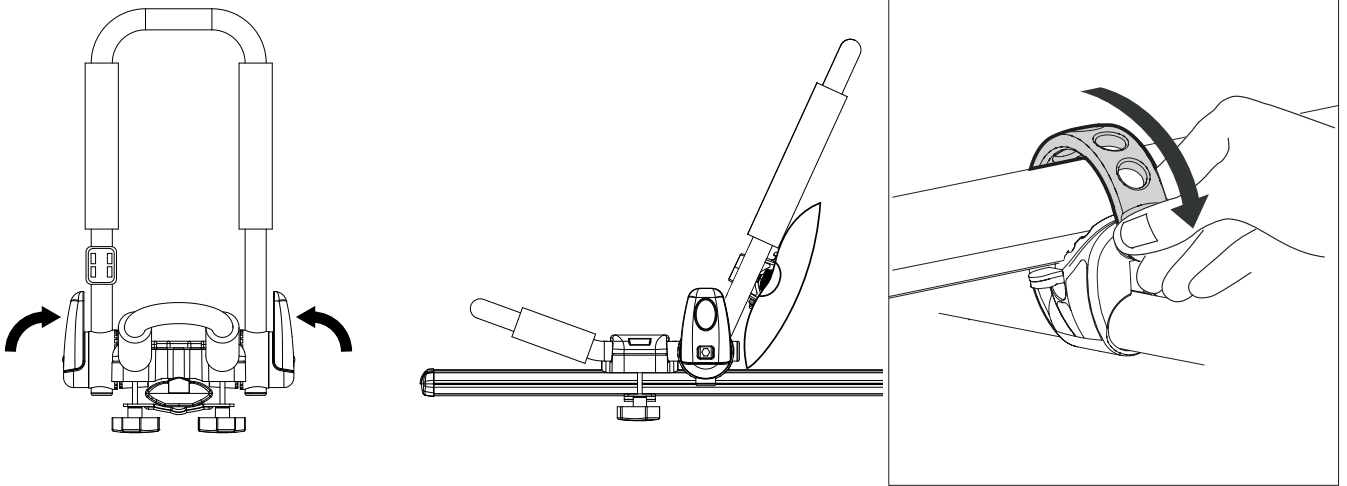
REFER TO SIZE-SPECIFIC ACCESSORY BAR INSTRUCTION



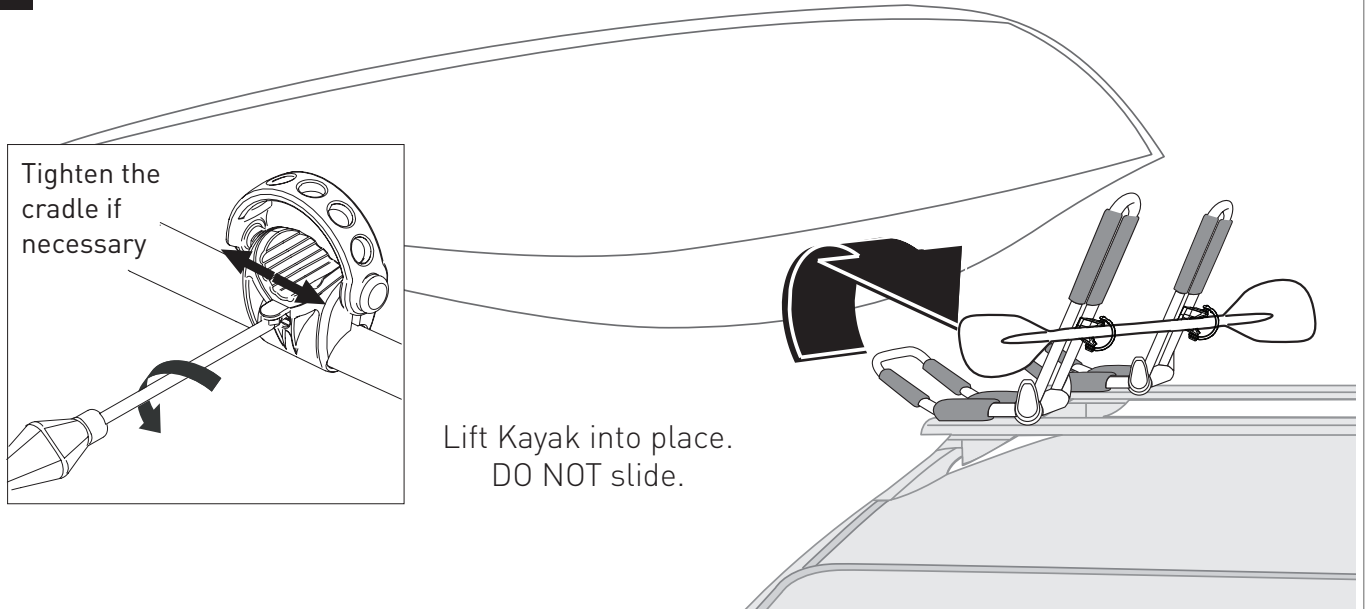
HOW TO USE THE KAYAK CARRIER *Vortex Bar shown as example*



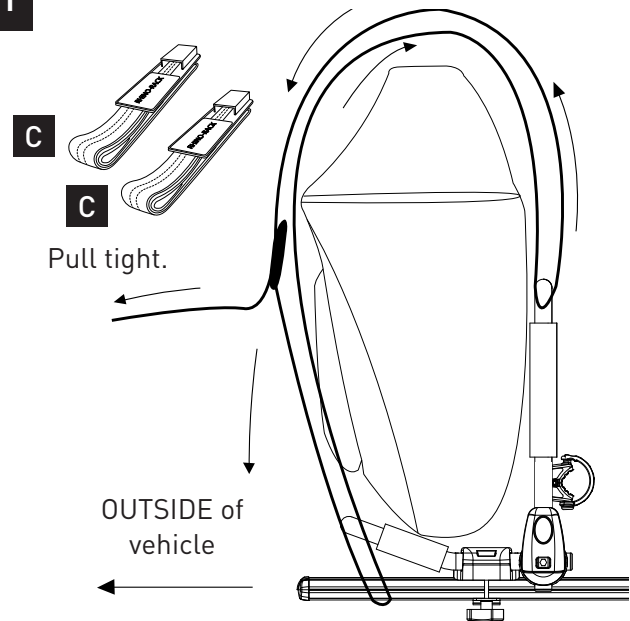
9



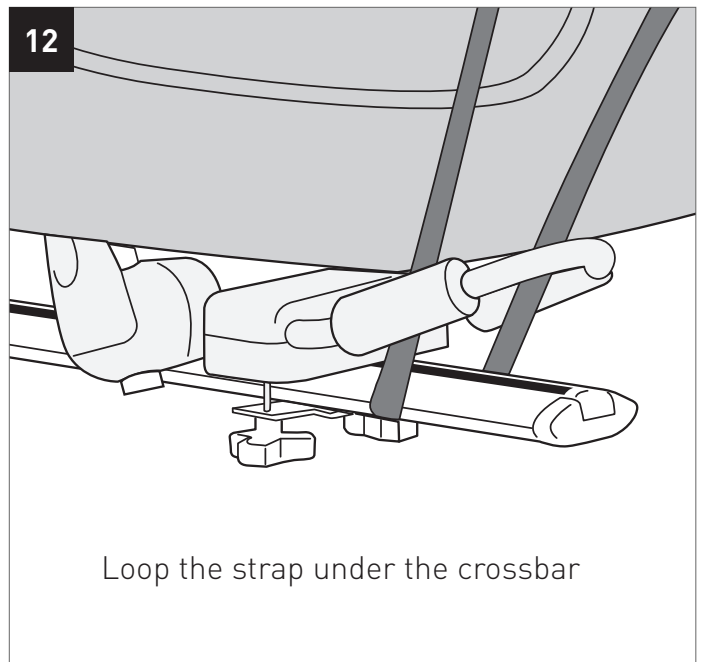
10



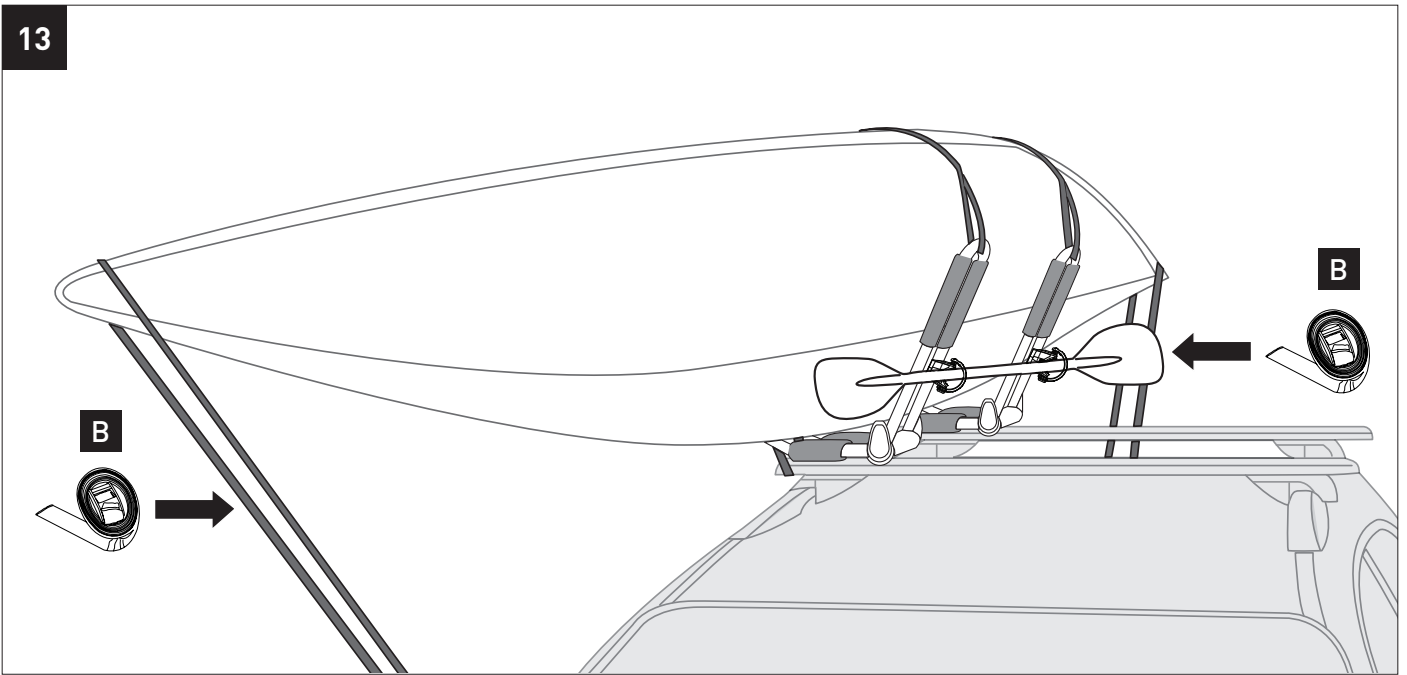
11



12



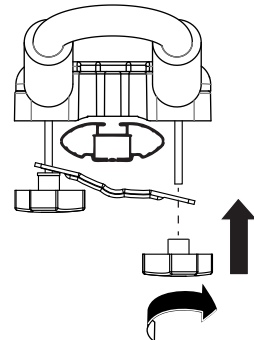
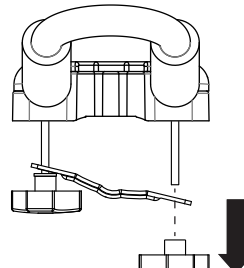
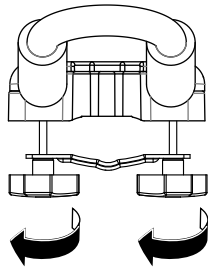
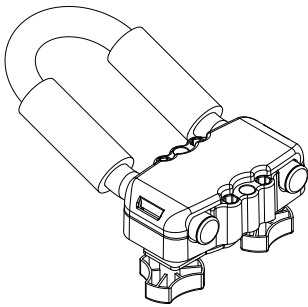
13



How to install and use the optional S512X extension piece (Sold Separately)

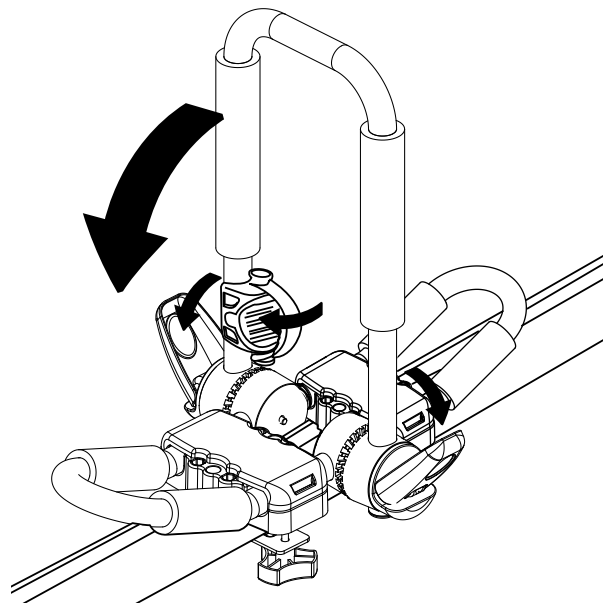
14

DO NOT overtighten.

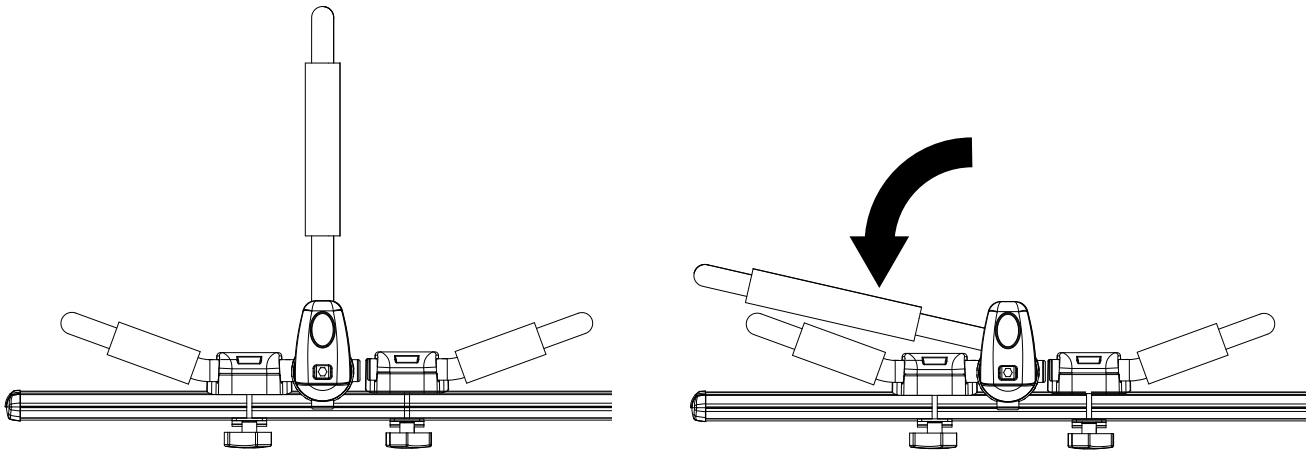


Vortex Bar shown as example

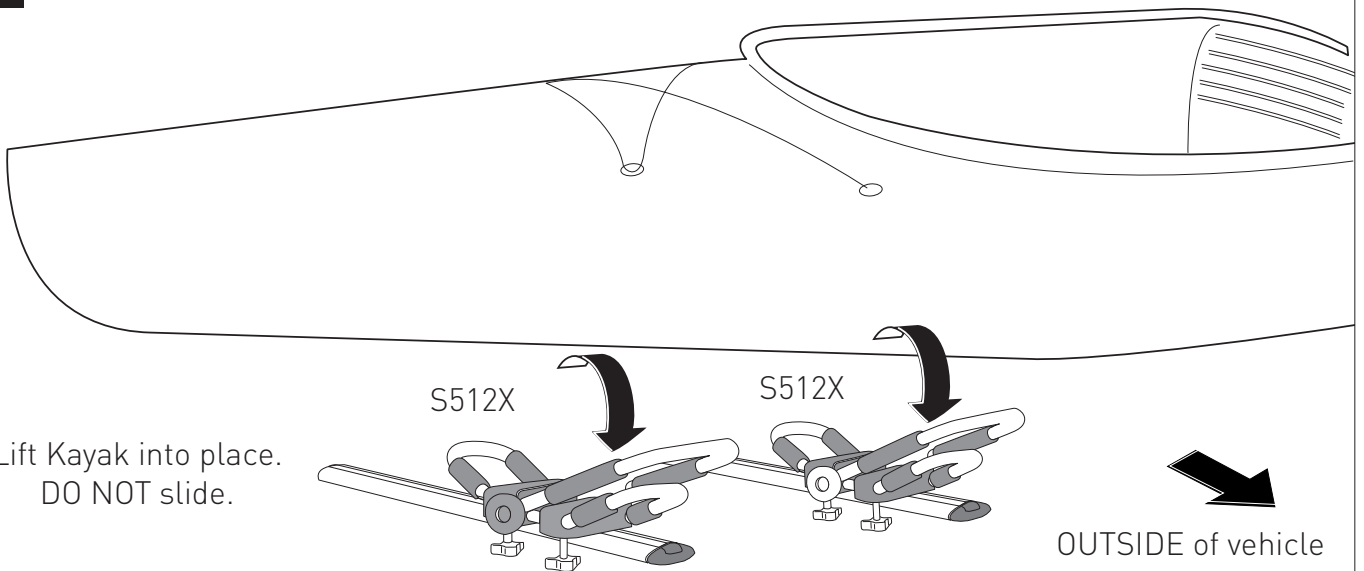
15



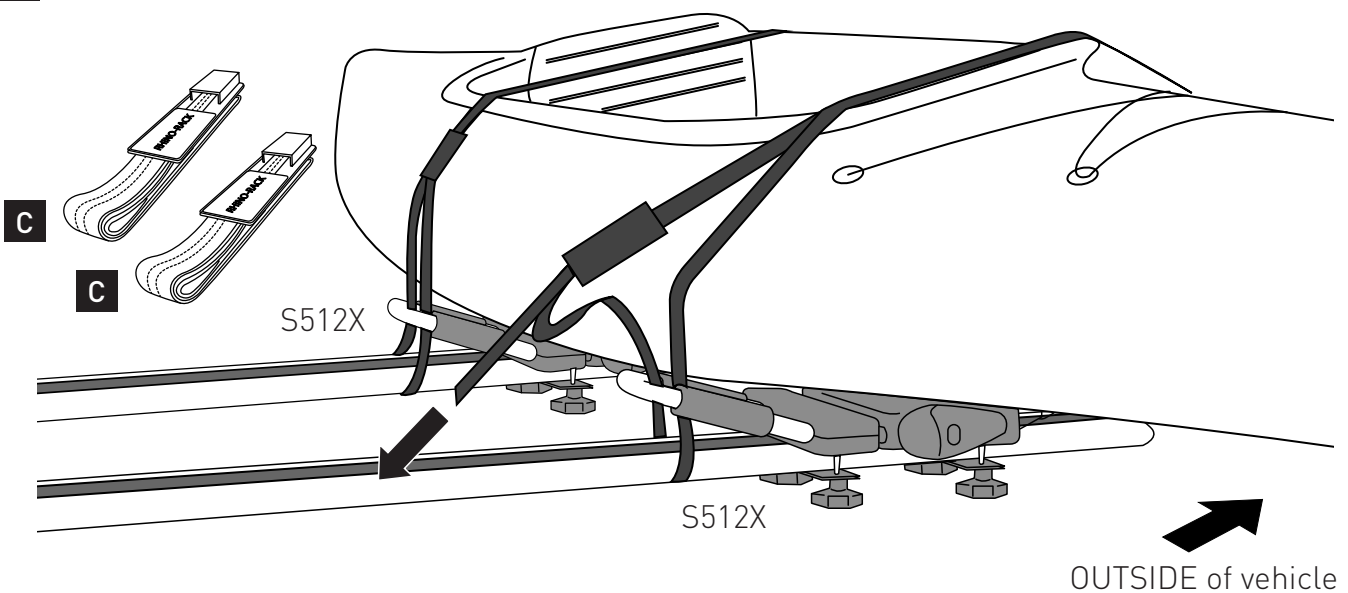
16



17



18 Keep the straps loose at this point



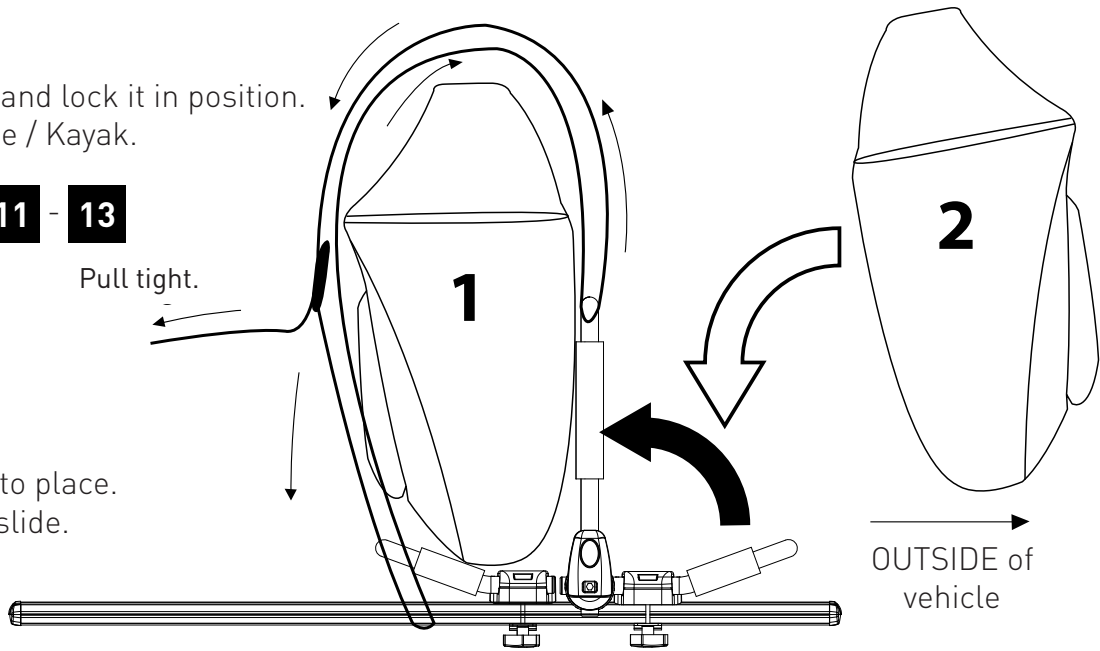
19

Rotate arm up and lock it in position.
Load 2nd Canoe / Kayak.

Repeat steps **11** - **13**

Pull tight.

Lift Kayak into place.
DO NOT slide.



20

