

CAMPMASTER® SPIDER STOVE

COMPACT FOLDING BUTANE STOVE

OPERATING INSTRUCTIONS



WARNING: FOR OUTDOOR USE ONLY

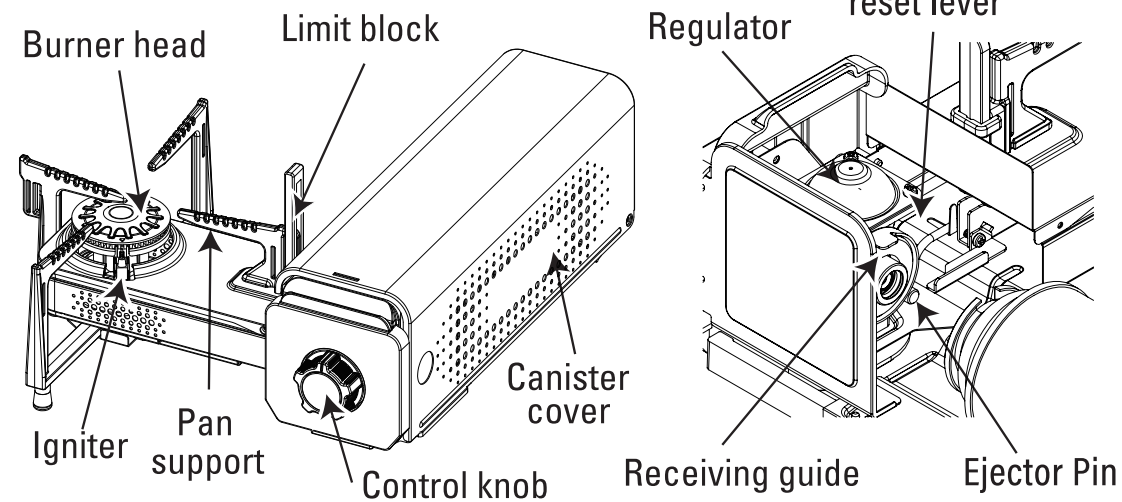
CM2110



- Improper installation, adjustment, alteration, service or maintenance can cause property damage, injury or death.
- IMPORTANT: Read these instructions for use carefully.
- WARNING: Accessible parts may be very hot. Keep young children away at all times.
- DO NOT modify this appliance.
- Familiarise yourself with the appliance before connecting it to its gas container. Keep these instructions for future reference.

CM2110-20220930V1

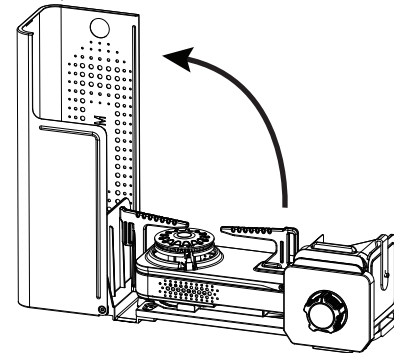
PART NAMES



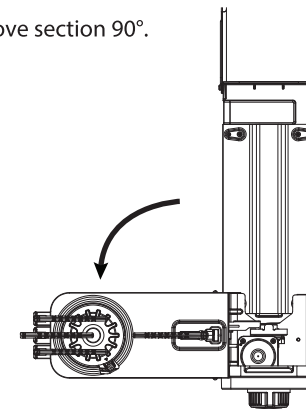
OPERATING INSTRUCTIONS

How to unfold the stove

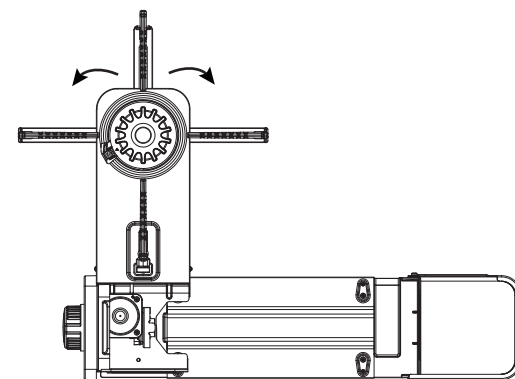
1. Unhook the leather fastening strap then open the canister cover 90°.



2. Rotate the stove section 90°.

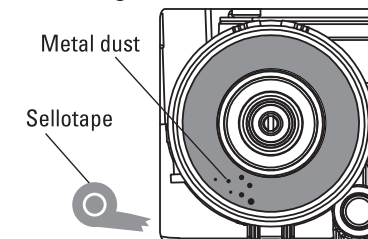


3. Ensure the control knob is in the off position then rotate the pan supports 90°.



4. Make sure there is no metal dust on the magnetic surface and inlet before installing the canister.
* If canister is not installed correctly, gas will leak with a hissing sound. Check for leaks thoroughly before attempting to light the stove.

Handy hint: Use sellotape to remove metal dust or debris from the magnet.

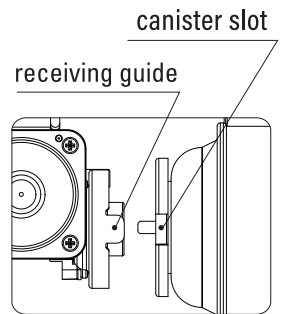


How to fit gas canister:

1. Turn the control knob to the OFF position. Make sure that the canister lever is in the UNLOCK position. If the gas knob is in the ON position the canister cannot be put into position.
2. Insert the gas canister by making sure that the canister slot fits into the canister receiving guide on the valve, then push the canister to fix on the regulator until you hear a "click".

If knob is not in "●" OFF position, the gas canister can not be connected due to the safety lock out mechanism.

(Caution: Use only approved butane gas canisters UL147B or EN417)

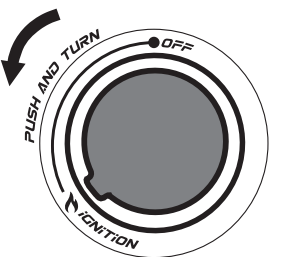


Procedure to check for gas leaks

If you smell gas, do not attempt to light the appliance. To check for gas leaks, use a soapy cloth and apply lightly to the connection between the butane canister and the valve. If there is a leak you should notice bubbling where soap has come in contact with the gas leak.

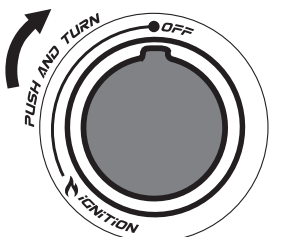
How to light the burner:

1. Push the control knob in and turn the control knob towards the IGNITION position until a click is heard from the piezo ignitor.
2. If ignition fails, turn the control knob back to the OFF position and repeat.
3. The control knob can be turned to adjust the flame output. Adjust it to the suitable position for cooking.



How to extinguish the burner:

1. Rotate the control knob to the OFF position. The canister will automatically be ejected.
2. Remove the canister from the stove and re-fit the cap onto the canister.

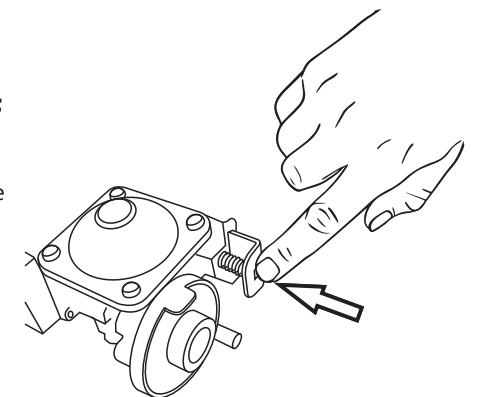


How to fold the stove

1. Extinguish the burner and remove the canister as explained above, then allow the stove to cool before attempting to fold the stove.
2. Once the stove has cooled, follow the unfolding steps in the reverse order.
3. Pass the leather strap through the slot then fasten the strap onto the stud to secure the stove in the compact fold position.

HOW TO RESET THE SAFETY SHUT OFF

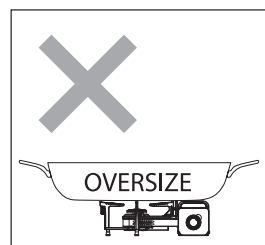
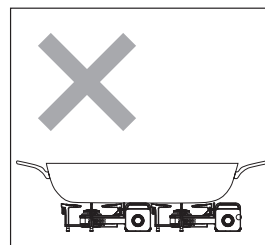
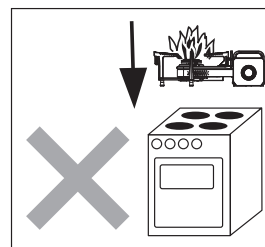
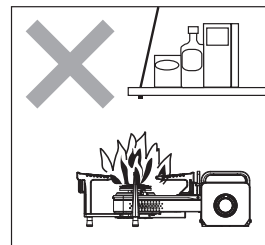
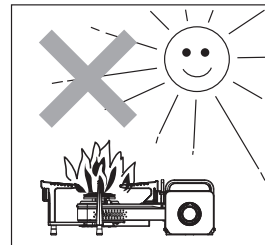
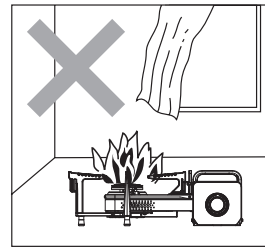
If the cartridge is overheated by abnormal use or exposure to excess heat, the safety device will activate by ejecting the cartridge. If this mechanism fails, a secondary gas flow shut off will activate and this can be reset by pushing the lever as shown to the right.



PRECAUTIONS

Gas cartridge:

1. This appliance must only be used with a butane cartridge certified to UL147B or EN417. IT MAY BE HAZARDOUS TO ATTEMPT TO FIT OTHER TYPES OF GAS CARTRIDGES.
2. The cartridge should be placed away from flammable products or direct sunlight. Never keep cartridge in places where the temperature is over 50°C.
3. Do not subject the cartridge to impact or rough handling.
4. Cartridges must be stored outdoors in a well ventilated location out of reach of children.
5. Do not puncture or incinerate empty cartridges.
6. Avoid carrying cartridges in the boot of a car or any unventilated enclosure.
7. Gas cartridges must be changed in a well ventilated location, preferably outside, away from people and any sources of ignition such as naked flames, electric heaters/equipment.
8. To check if gas cartridge contains gas, disconnect from the stove, then hold upright and shake from side to side. If you can feel or hear liquid movement, it contains gas.



Stove:

1. Check the seals between the appliance and the gas cartridge are in place and in good condition before connecting the gas cartridge.
2. Do not use this appliance if it has damaged or worn seals.
3. Do not use this appliance if it is leaking, damaged or does not operate properly.
4. This appliance must only be serviced by an authorised person.

Use:

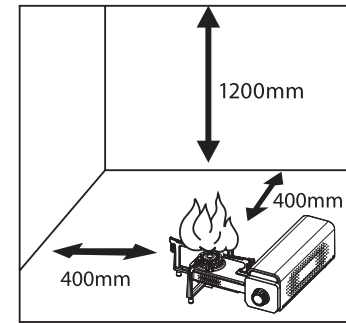
1. Do not use for any purpose other than cooking. Incorrect use may result in overheating, incomplete combustion and/or a risk of fire or explosion.
2. DO NOT USE THIS STOVE TO LIGHT briquettes or heat beads.
3. In the event of a gas leak (smell of gas) immediately turn the control to the OFF position to isolate the gas supply.
4. If there is a leak from the appliance (smell of gas) and you cannot stop the gas flow, move the appliance to a well ventilated location away from any ignition source. Check for leaks using soapy water. Do not try to detect leaks using a flame.
5. Do not move the appliance during operation.
6. The maximum sized vessel (pot or pan) to be used on this is 21cm diameter.

WARNING!

- Do not store cartridge in stove during transportation or storage.
- Replace the nozzle cap back onto the cartridge to protect nozzle and avoid leakage.
- Avoid boil overs and spillage.
- During use parts may become very hot. Keep young children away.
- Allow to cool before moving or handling.
- Do not use as a space heater.
- Do not use for any purpose other than cooking.
- Caution: Never obstruct the air openings or vents on this appliance.

Placement:

1. **WARNING! ONLY USE IN WELL VENTILATED AREAS: CARBON MONOXIDE HAZARD - USING THIS APPLIANCE IN AN ENCLOSED SPACE MAY CAUSE DEATH. DO NOT USE IN CARAVANS, TENTS, MARINE CRAFT, CARS, MOBILE HOMES OR SIMILAR LOCATIONS.**
2. Keep out of reach of children.
3. Do not place or use this appliance on any hot surface.
4. Do not use the stove under overhanging shelves etc.
5. Do not use close to combustible materials such as curtains. No combustible materials should be within 400mm from any side of or 1200mm above the stove.
6. Use stove in the shade or in cool places. Avoid using in direct sunlight.
7. Only operate this appliance on a horizontal surface to ensure the aeration opening below the stove is clear and unobstructed.
8. Do not use the stove in very windy conditions.



ABNORMAL OPERATION

Abnormal operation can be identified by:

- Frequent activation of pressure safety device
- Irregular burner flame which is yellow or unstable
- Black sooting of cooking utensils
- Refer to the trouble shooting section of this manual for possible solutions
- **If the stove does not operate properly DO NOT use the appliance.**

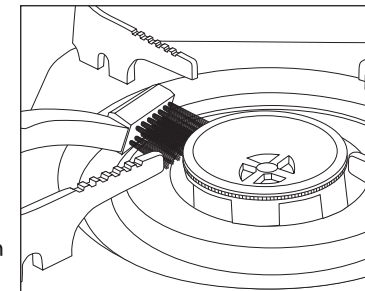
MAINTENANCE

Precautions:

1. Make sure that the gas cartridge is released before cleaning.
2. Never remove safety devices or gas components.

Cleaning:

1. Body: Wipe off with a clean cloth. When necessary, use a kitchen cleanser and then finish with a dry cloth.
2. Pan support and body: After washing, wipe with a dry cloth.
3. Burner: Clean the burner ports with a hard brush making sure that all food particles are removed from the burner ports.



TROUBLE SHOOTING

PROBLEM \ CAUSE	No ignition	No burning	Unstable flame	Uneven flame	Slow burning	Gas smell during use	Flame extinguishes	Continues burning	SOLUTION
Lack of fuel	●	●			●		●		Renew cartridge
Spark point dirty	●								Carefully remove dirt
Dirty burner	●	●	●	●	●				Clean the burner
Imperfect cartridge alignment	●	●	●		●	●			Realign cartridge
Use of unsuitable fuel	●	●	●	●	●				Replace with cartridge containing correct fuel
Internal gas pressure too high							●		Cool down gas cartridge
Functioning of safety stop mechanism	●						●		Check and reset mechanism

If you are still experiencing difficulty with the appliance after trying the above solutions, the appliance should not be used until it has been inspected and repaired by a suitably qualified person.

SPECIFICATIONS

Model No.	CM2110
Ignition Method	Piezo-Electric
Dimensions	372mm (W) x 286mm (D) x 125mm (H)
Safety Device	Safety Governor System/Pressure Sensitive Safety Device
Fuel Consumption	160g/h
Gas Type	Campmaster Butane
Injector Size	0.60mm
AGA Approval No	9042

1 YEAR EXPRESS WARRANTY

Amalgamated Hardware Merchants Limited ("AHM") warrants that this product will be free from material defects in workmanship and materials for a period of 1 year from the date of purchase ("Warranty Period"). If a material defect occurs during the Warranty Period, and AHM verifies such material defect and your claim, AHM will choose to either repair the product, replace the product, or provide you with a refund of the purchase price of the product ("AHM's Express Warranty"). Any repaired or replaced product will be covered by AHM's Express Warranty for the remainder of the original Warranty Period only.

AHM's Express Warranty will not apply if the defect in the product is caused or contributed to by misuse of the product, failure to maintain the product, neglect or accident, ordinary wear and tear (including rust, corrosion, and normal fading, weathering, staining, discolouration, scratching or chipping), exposure to heat, failure to use or install the product in accordance with any instructions or manuals, or any modification, repair or tampering with the product by anyone other than AHM.

To claim under AHM's Express Warranty, you must take the product (and proof of purchase) to the store where it was purchased. You must provide any additional information requested in relation to your claim. For online purchases, contact the online supplier to arrange the return of the product. You will bear any costs incurred in making a claim, including any costs of returning the product to the store, and of having the product returned to you (if applicable).

Additional guarantees under Consumer Laws

The New Zealand Consumer Guarantees Act 1993 and the Australian Competition and Consumer Act 2010 (including the Australian Consumer Law 2011), as well as other laws in those jurisdictions ("Consumer Law") give you other legal rights. For products sold in New Zealand, these rights cannot be modified or excluded by any contract, except in those circumstances expressly contemplated by New Zealand Consumer Law. For products sold in Australia, our goods come with guarantees that cannot be excluded under the Australian Consumer Law. You are entitled to a replacement or refund for a major failure and for compensation for any other reasonably foreseeable loss or damage. You are also entitled to have the goods repaired or replaced if the goods fail to be of acceptable quality and the failure does not amount to a major failure.

AHM's Express Warranty is in addition to any other rights and remedies you have under the applicable Consumer Law. Except as otherwise provided by AHM's Express Warranty, all warranties, terms, conditions, guarantees or similar, other than those which cannot be excluded under applicable Consumer Law, are expressly excluded by AHM to the extent legally permitted.
 AHM NZ: 8 Hautu Drive, Wiri, Auckland, New Zealand 2104. Phone: +64 9 251 1300 Email: enquiries@ahm.co.nz Fax: +64 9 251 1301 www.ahm.co.nz
 AHM AUS: Unit 4, 126-130 Compton Road, Woodridge, Queensland, Australia 4114. Phone: +61 7 3208 1233 Email: enquiries@ahmaustralia.com.au Fax: +61 7 3208 1933 www.ahmaustralia.com.au

Made in China.
 Campmaster® is a registered trademark of AHM
 Australia: 07 3367 8419 New Zealand: 09 251 1310 (Service & Repairs)
<http://www.campmaster.com.au>
<http://www.campmaster.co.nz>