

ASSEMBLY INSTRUCTIONS

W a n d e r e r 

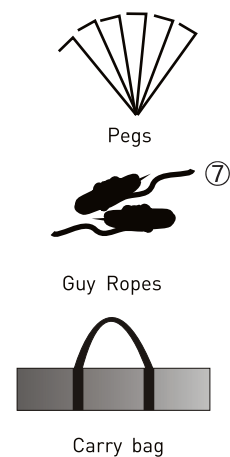
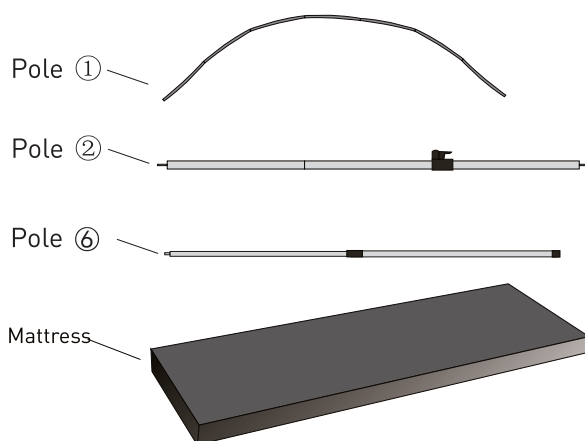
NIGHTFALL SWAG WITH MULTI PURPOSE FLY DOUBLE



PLU: 648648

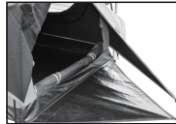
PARTS LIST:

DESCRIPTION	QTY
Swag	1
Fly	1
70mm High Density Foam Mattress	1
Alloy Pole 11mm (①)	2
Alloy Adjustable Pole 22/25mm (②)	1
Adjustable Awning Pole 19/22mm (⑥)	2
Steel Pegs	14
Guy Ropes (⑦)	6
Carry Bag	1





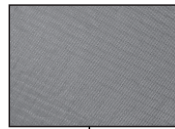
Extra storage space for gears, tools ect



Inner mesh pocket for storage



200D Ripstop polyester with silver coating



320gsm Polycotton with black coating



Removable mattress cover



70mm High density foam mattress



550gsm PVC bucket floor



Carry bag included with heavy duty webbing and handles to allow for easy carrying

SET UP INSTRUCTIONS

STEP 1

Choose a level firm surface, clear of any overhanging tree branches and clear of sticks, stones or any other objects that may damage the floor of your swag.

STEP 2

Undo buckles and roll out the swag. Make sure all zips are closed to keep the swag in its correct shape. Pull out the four corners ③ of the floor firmly and secure using pegs.

STEP 3

Take out pole ① and insert pole ① through the canvas sleeves at the head and foot area of swag. Secure ends with pins and rings and attach all clips to the pole.

STEP 4

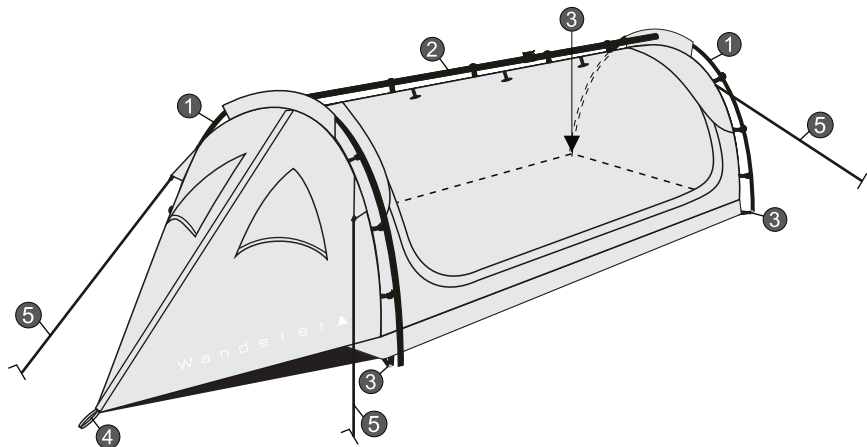
Take out pole ② and insert two ends of pole ② into eyelets of canvas sleeves, then adjust the length of pole ② to make the swag straight and tension.

STEP 5

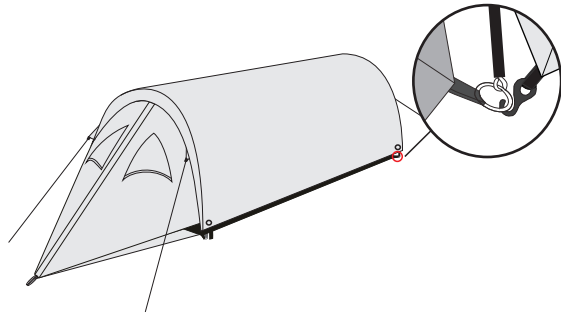
Install the peg at the point ④ of front storage space.

STEP 6

Attach guy ropes ⑤ to the swag and pull out by using pegs to make an awning if necessary.



MULTI PURPOSE FLY INSTRUCTIONS

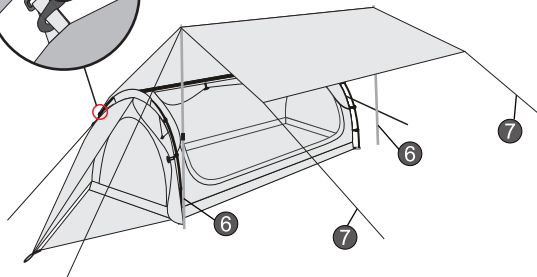
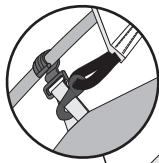
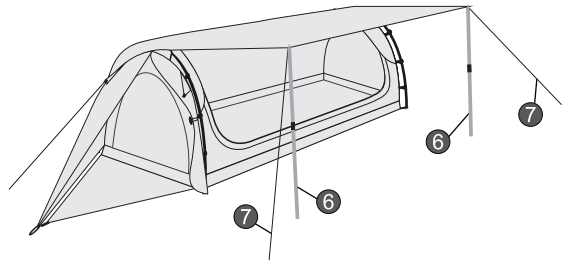


Option 1

Cover the fly on the whole swag, attach velcros to alloy poles. And hook the four corner hooks onto the iron ring for better rainproof.

Option 2

Set up one side of fly with two adjustable poles ⑥, which can be used as an awning.

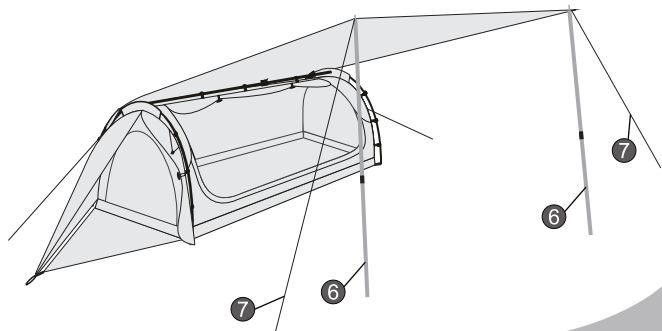


Option 3

Hang one side of fly with the hooks onto the C-shaped clip straps near the sleeves, then push two adjustable poles ⑥ into the middle eyelets on the fly and secure them with ropes ⑦. Finally, secure the other side of fly to the ground with ropes ⑦.

Option 4

Move the two adjustable poles ⑥ in way 3 to the end of fly and secure them with ropes ⑦, it could be acted as a bigger awning.



SEASONING CANVAS

The nature of canvas means that during the manufacturing process, holes from stitching will still be open when you take the product out of the bag for the first time. All products containing canvas need to undergo a seasoning process to ensure they are waterproof for your first adventure.

Follow the below steps to season your canvas product.

1. Set up your product as per the directions above, like you are about to use the product.
2. Using a bucket or garden hose, soak the canvas material paying particular attention to stitching and seams. You will notice the canvas become darker as it soaks, this is normal. Disregard water leaking through the seams, this is also normal for this step.
3. Once all fabric on the outside is soaked, allow the canvas to dry completely. You will notice the original colour will return as it dries. A few hours will be enough in direct sun, 24 hours may be required in high humidity or overcast conditions.
4. Repeat steps 2 & 3 until you observe no water leaking through the seams. If you did not observe water leaking the first time, 3 repeats of steps 2 & 3 will be sufficient.
5. Your canvas is now seasoned and ready to use. All stitching holes in the seams have now swollen to become waterproof.

You may have to repeat the seasoning process if the product is left in storage for a long period of time.

CARE AND SAFETY

Before using the swag for the first time, it is recommended to check everything is included and you become familiar with the assembly of the swag. It is also very important to season the swag before set up.

Never store the swag wet. If swag is wet, please take out from storage bag as soon as possible and leave spread out to dry completely before storing away.

Due to cold air outside and warm air inside the swag, condensation may form on the swag. This is a natural event. Ventilation will help minimise this.

WARNING

DO NOT use any form of flame or fuel burning appliances, heaters, candles or matches inside the swag.

DO NOT set up near open flame.

DO NOT use soap or detergent. Clean only with cold water and a brush.

DO NOT expose to petrol, oil or solvents.

DO NOT spray insecticides onto the swag.

DO NOT use this swag as a dwelling. This swag is designed as a recreational product only.

This swag is not designed to be a permanent dwelling. It is designed to be used as a portable and temporary structure.

Manufactured & packaged for SRGS PTY LTD
ABN 23 113 230 050
6 Coulthards Avenue, Strathpine QLD 4500, Australia

MADE IN CHINA