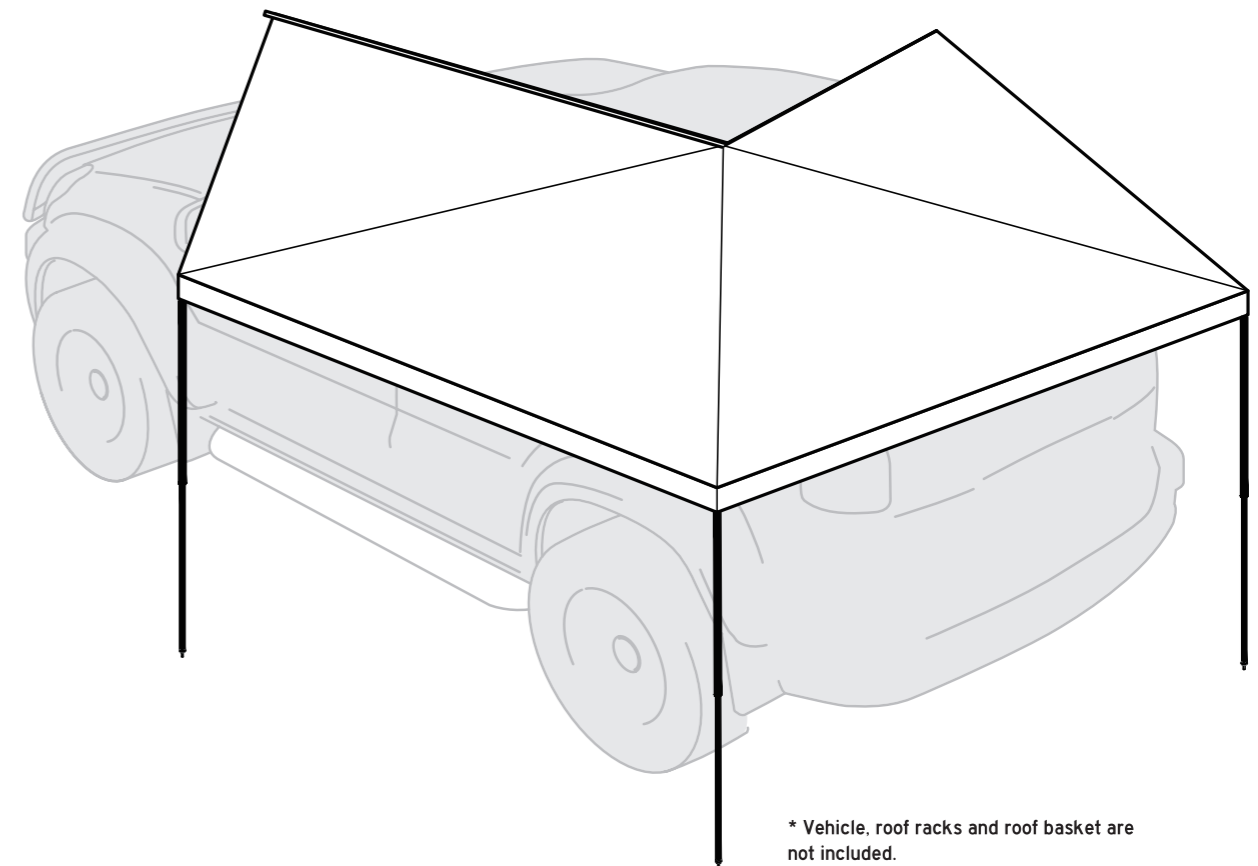




# + 270 DEGREES 4WD AWNING

## Instruction Manual



\* Vehicle, roof racks and roof basket are not included.

\* Please note that this awning will fit most roof racks and baskets using Universal L shaped brackets.

PLU: 598138  
CODE: CZ-PA270-25  
Manufactured and packaged for  
SRGS PTY LTD  
ABN 23 113 230 050  
6 Coulthards Avenue  
Strathpine QLD 4500, Australia  
MADE IN CHINA

## + Get To Know Your Awning

We recommend you check all parts are included prior to first use. Keep children away from the set up area.

### + 270 Degrees 4WD Awning Contents

- 1 x 270° Awning
- 3 x L shaped mounting brackets
- 3 x Steel clamp plates
- 8 x Pegs
- 8 x Guy ropes
- 6 x Short bolts and nuts
- 6 x Long bolts and nuts
- 18 x Washers

To attach your 270 degree awning to a vehicle, 3 x "L" shaped attachment brackets are supplied that are designed to attach to most roof rack and roof bar systems. It is advisable that you contact the manufacturer of the roof rack or roof bar system on your vehicle for the recommended attachments required for fitting the 270 awning. Some roof racks are designed to allow direct fitting of the 4WD awning without the use of the "L" shaped attachment brackets.

The mounting frame on the back of the awning bag is designed to hold the head of the 25mm bolts, these can be positioned anywhere along the mounting frame. Please ensure they are tightened securely in place. Follow the recommendations of the roof bar or roof rack system manufacturer to calculate the number of bolts required to attached the "L" shaped attachment brackets to the roof bar or roof rack system.

This awning also comes with 3 steel plates for installation to a roof basket.

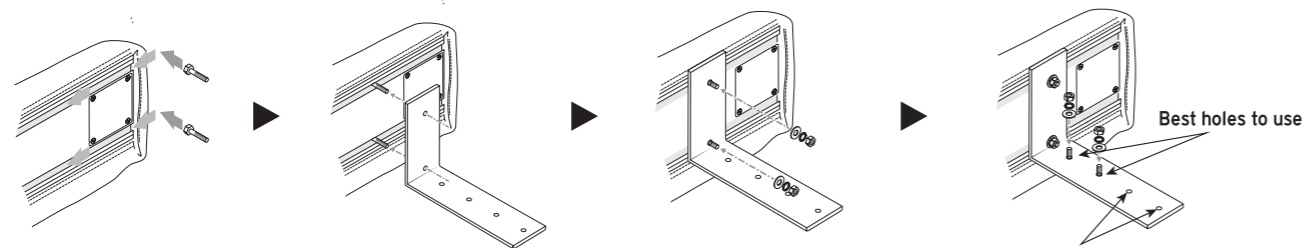
## + Attach Awning To Bracket

It is recommended to use an experienced after-market 4x4 Accessories fitter to mount the 270 degrees awning to your vehicle.

Fasteners and fixing connections should be checked regularly on both the awning and roof rack to ensure the awning is always mounted securely to your vehicle roof rack.

**1** Insert supplied 25mm M8 bolts into grooves in aluminium backing plate.

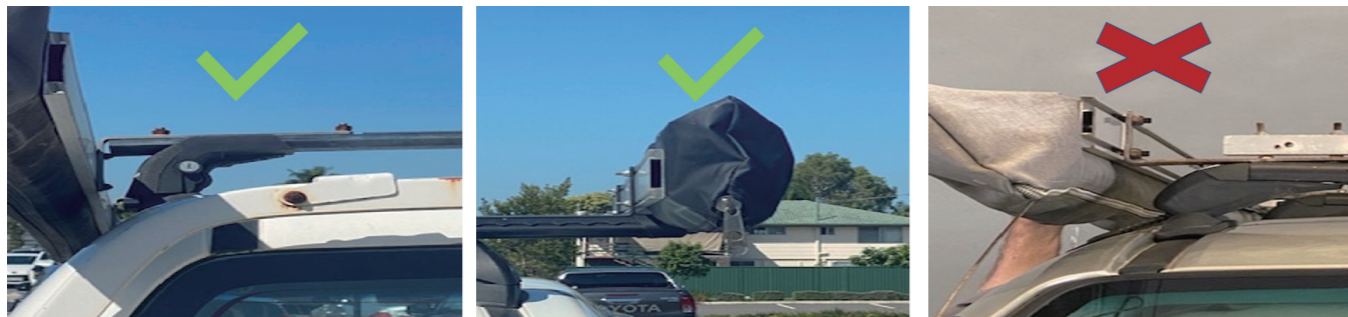
**1B** We recommend only using the holes furtherest away from the bend only if another option is not available. Ensure the bracket is fully supported to dampen excessive vibration.



Only use these holes if no other option is available. Ensure the bracket is fully supported as per the below images.

Only use the holes furtherest away from the bend as a last option and ensure the bracket is fully supported to avoid excessive vibration. Excessive vibration of the bracket will cause metal fatigue and the bracket will break.

Do use the first or second hole with either the brackets up or down as this will give you the most support.



You must ensure the bracket you use is supported by either the roof rack or other form of support. Without this, the bracket will endure the total weight of the awning and will break over time due to material stress. SRG will not be responsible for any product damages, if awning is incorrectly installed.

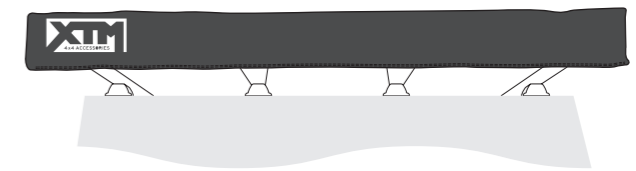
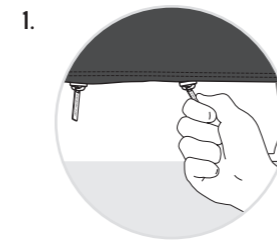
**IMPORTANT!**

ENSURE THE UNSUPPORTED ENDS OF THE AWNING DO NOT EXCEED 250MM.

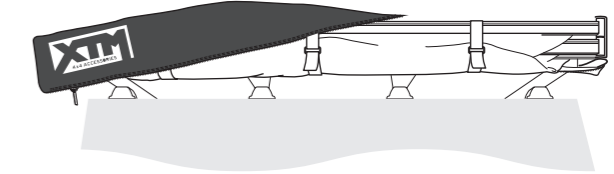
PROLONGED TRAVELLING ON UNEVEN ROUGH OR CORRUGATED TERRAIN WILL REQUIRE MORE FREQUENT INSPECTIONS.

## + Set-Up

**2** Unzip storage bag

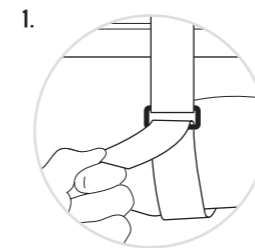


**2.**

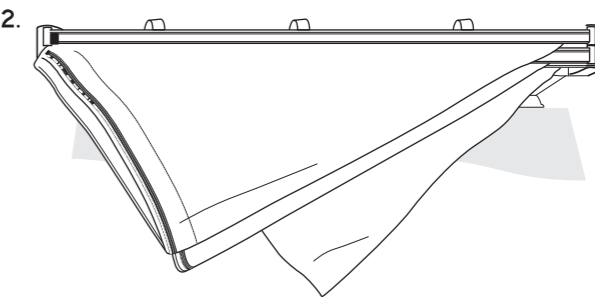


**3** Release awning

Release the three hook and loop fasteners and allow canvas to drape.



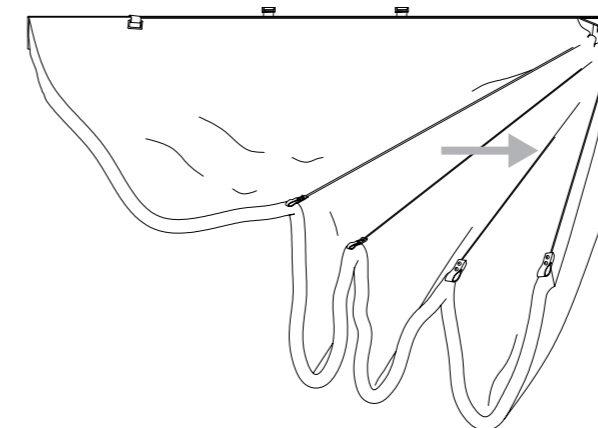
**2.**



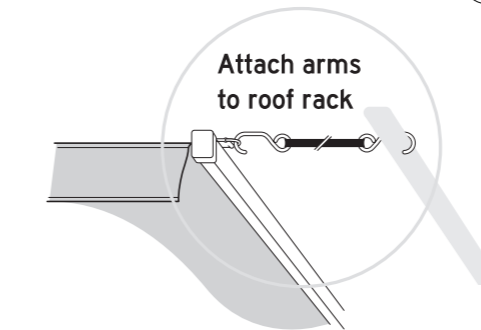
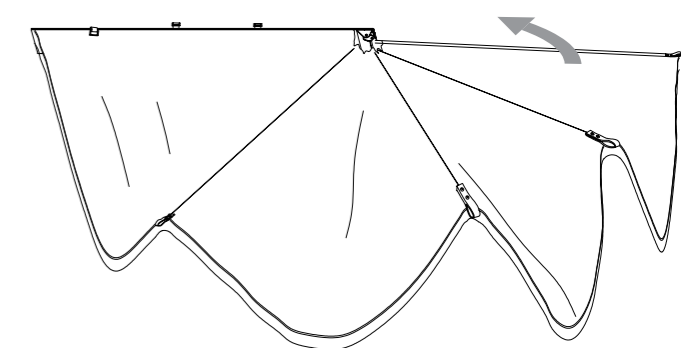
**4** Opening

+ Note:

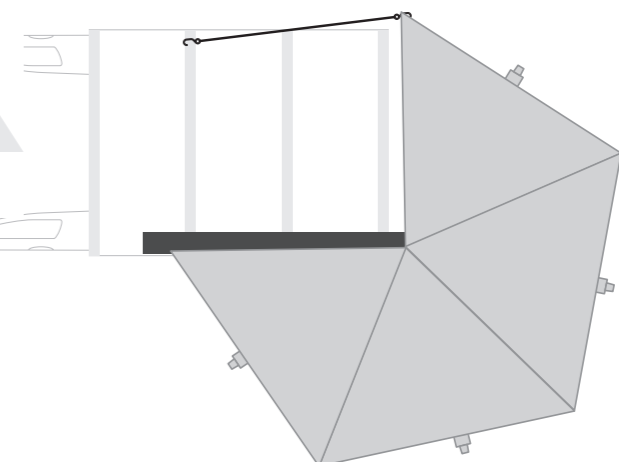
Awning will self-support during set up only however it is not advisable to leave the awning hanging for any long period of time.



Swing out right arm fully toward rear of vehicle and attach to roof rack using supplied tension strap



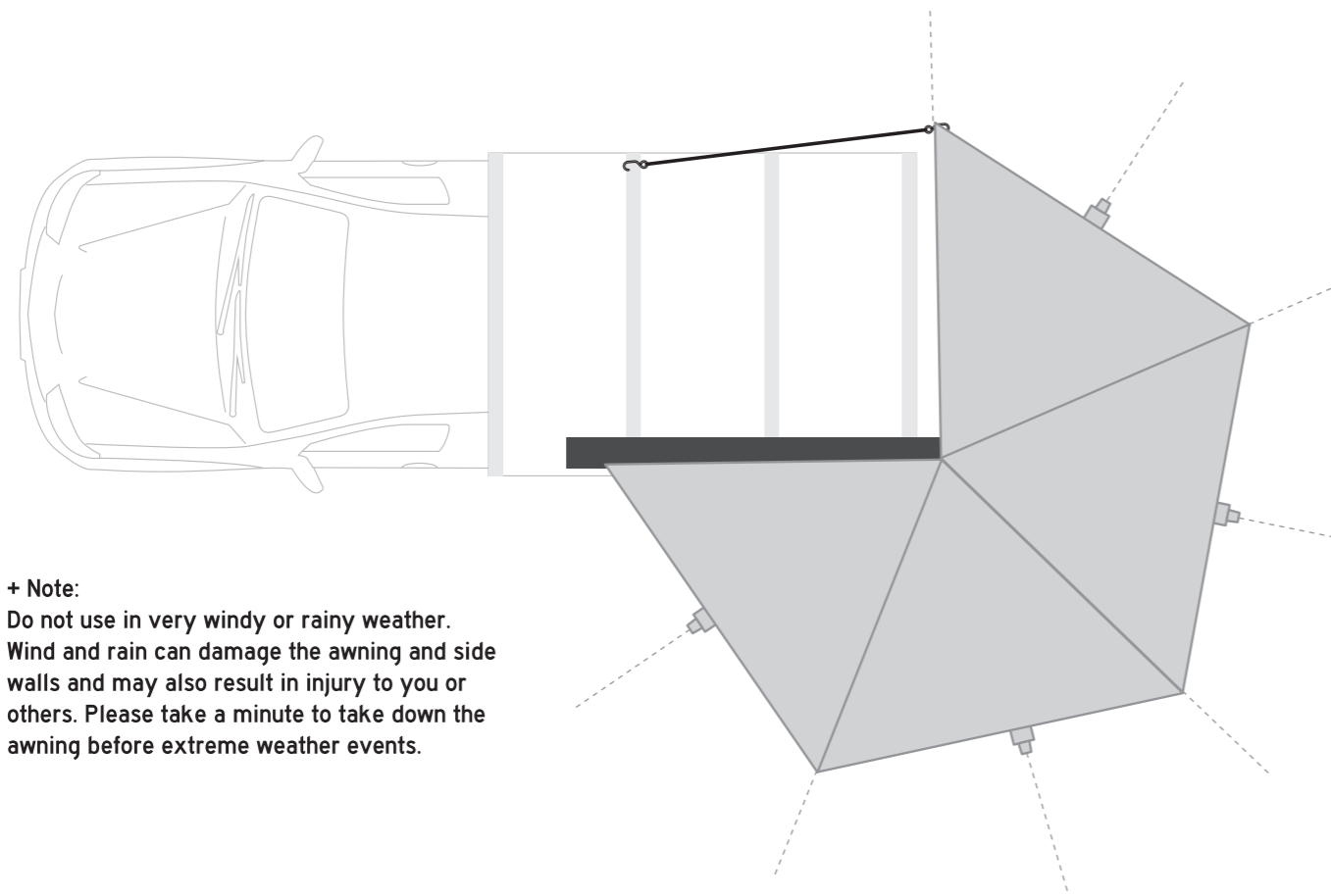
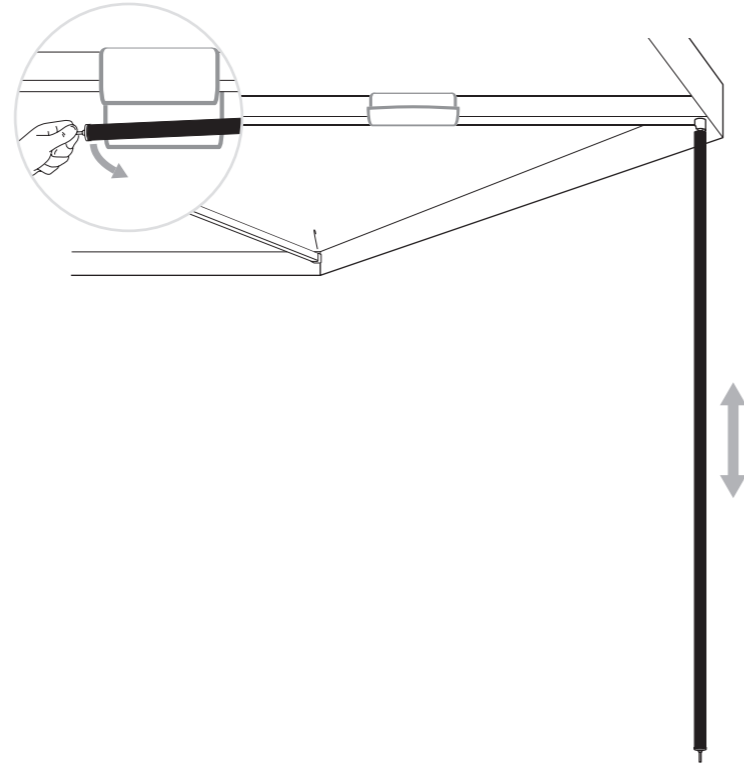
Attach arms to roof rack



## 5 Pole Set-Up

- + Undo the hook and loop fasteners that are supporting each leg. Be careful as the legs will drop down. Ensure no person or item is under or near the awning when doing this.
- + Twist the leg pole to unlock/lock to the desired height.
- + Secure the end of each rafter by anchoring guy ropes.

**IMPORTANT!**  
ENSURE ALL GUY ROPES ARE SECURED.



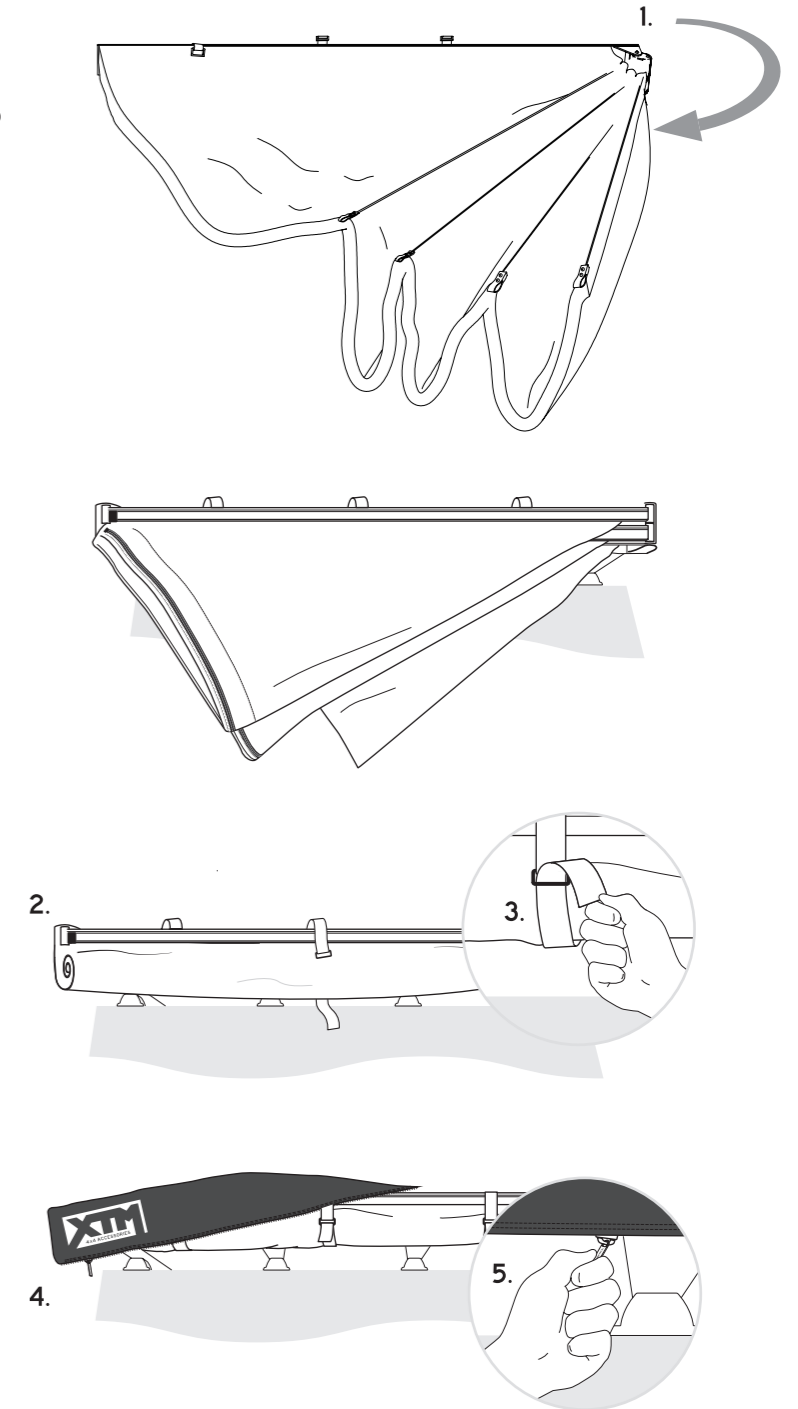
+ Note:  
Do not use in very windy or rainy weather. Wind and rain can damage the awning and side walls and may also result in injury to you or others. Please take a minute to take down the awning before extreme weather events.

## + Pack-Down

### 6 Pack-Down

- + Undo all pegs / guy ropes.
- + Fold away legs and stow away using attached hook and loop fasteners.
- + Release rear tension straps.
- + Fold the right side of awning back 270° from the awning body ensuring the top rafters sit directly on top of the bottom rafters.
- + Canvas should drape down in a triangular shape.
- + Roll canvas and secure using hook and loop fasteners.
- + Position PVC bag over awning and zip up to complete pack down.

+ Note:  
A loose roll is better than a tight roll. This will allow the canvas to fold flat against the awning making it easier to zip up the PVC bag.



## Cleaning

Clean with cold water and a soft bristle brush. Do not use soap, detergents, bleach or solvents. Do not expose to petrol, diesel, oils or chemicals of any nature.

## Storing

Correct storage is vital for the longevity of your awning. If on occasion the awning is required to be stored wet, it is essential it is unpacked and dried as soon as possible. Water damage, mildew damage and incorrect storage is not covered under warranty.

## Structural Integrity

The awning has been designed for general camping use under normal conditions. Always ensure all rafters are supported by leg poles provided and all guy ropes are anchored correctly. It may be necessary to re-adjust guy ropes and pegs at times to maintain the structural integrity of the awning.

**IMPORTANT!**

ALWAYS PEG DOWN AND SECURE YOUR AWNING AND ENSURE SIDE WALLS SECURED WITH GUY ROPES.

IT'S CRUCIAL TO DO THIS ANY TIME YOU HAVE THE AWNING UP TO MINIMIZE THE IMPACT OF UNEXPECTED WIND GUSTS.

DO NOT USE IN VERY WINDY OR RAINY WEATHER. WIND AND RAIN CAN DAMAGE THE AWNING AND SIDE WALLS AND MAY

ALSO RESULT IN INJURY TO YOU OR OTHERS. PLEASE TAKE A MINUTE TO

TAKE DOWN THE AWNING AND SIDE WALLS BEFORE EXTREME WEATHER EVENTS.

THE AWNING IS DESIGNED AS A TEMPORARY SHELTER, NOT A PERMANENT STRUCTURE. DO NOT LEAVE UP FOR EXTENDED PERIODS AND DO NOT LEAVE UNATTENDED.

## Vehicle Fitting

It is recommended using an experienced aftermarket 4x4 accessories fitter to mount the awning to your vehicle. Fasteners and fixing connections should be checked regularly on both the awning and roof rack to ensure the awning is always mounted securely to your vehicle roof rack.

Prolonged travelling on uneven rough or corrugated terrain will require more frequent inspections.

**IMPORTANT!**

ENSURE THE UNSUPPORTED ENDS OF THE AWNING DO NOT EXCEED 250MM.

Awning brackets have been designed to fit most common roof rack configurations. However, with the ever increasing number of roof rack designs now available it is difficult to supply a mounting bracket to accommodate all.

If in doubt please contact your roof rack specialist for specific roof rack mounting options and advice on load capacities.

## Weather Resistance

This product is designed to resist water through careful selection of materials, use of water repellent coatings and seam sealing. However in very heavy weather conditions seams can still experience some leakage. You can purchase waterproofing products through camping retailers. Please follow recommendations of use from the manufacturer.

## Using The Optional Walls

The hook and loop fasteners on awning and walls will provide a sheltered/protected area around the awning.

THE AWNING AND SIDE WALLS ARE DESIGNED AS A TEMPORARY SHELTER, NOT A PERMANENT STRUCTURE. DO NOT LEAVE UP FOR EXTENDED PERIODS AND DO NOT LEAVE UNATTENDED.

DO NOT USE IN VERY WINDY OR RAINY WEATHER. WIND AND RAIN CAN DAMAGE THE AWNING AND SIDE WALLS AND MAY ALSO RESULT IN INJURY TO YOU OR OTHERS. PLEASE TAKE A MINUTE TO TAKE DOWN THE AWNING AND SIDE WALLS BEFORE EXTREME WEATHER EVENTS.

## SAFETY WARNINGS

KEEP ALL FLAME AND HEAT SOURCES AWAY FROM THE FABRIC.

UNDER NO CIRCUMSTANCES SHOULD ANY NAKED FLAME SOURCES BE USED NEAR THE AWNING.

KEEP CAMP FIRES AWAY FROM THE AWNING.

KEEP A LOOK OUT FOR ANY AIRBORNE BURNING EMBERS THAT MAY COME INTO CONTACT WITH THE AWNING AND SIDE WALL.

KEEP A FIRE EXTINGUISHER OR WATER BUCKET NEARBY.

DO NOT OPERATE ANY DEVICE WHICH BURNS FUEL INSIDE THE AWNING.

KEEP EXITS CLEAR.

IT IS RECOMMENDED ALL GUY ROPES ARE FIXED AND TAUGHT WHEN AWNING IS IN USE.

ENSURE CHILDREN ARE SUPERVISED AROUND THE AWNING AT ALL TIMES.