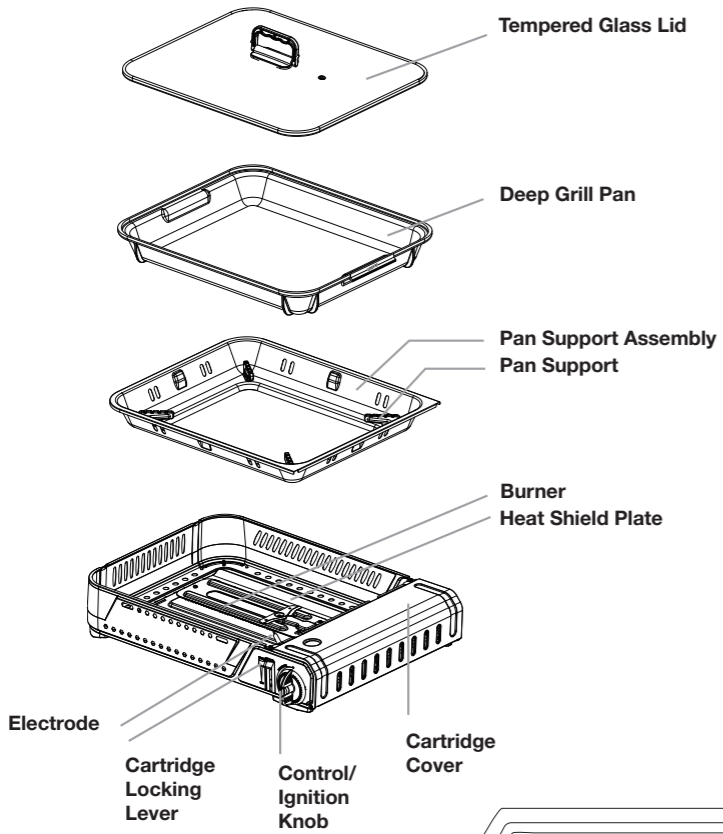


NAME OF PARTS



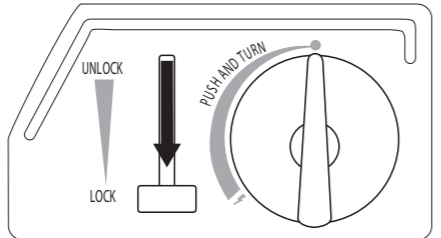
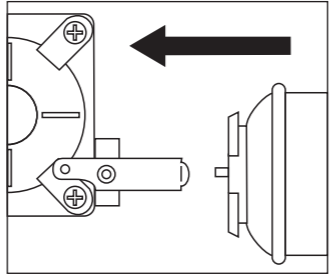
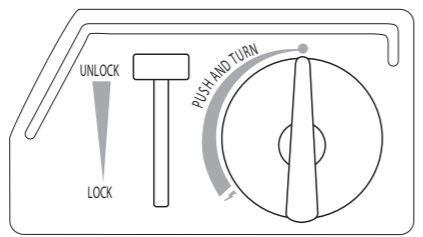
OPERATING INSTRUCTIONS

Fitting the Gas Cartridge:

1. Turn the control knob to the OFF position. Make sure that the cartridge lever is in the UNLOCK position. If the gas knob is in the ON position the cartridge cannot be put into position.

2. Open the cartridge cover and insert the gas cartridge. Make sure that the cartridge slot fits into the cartridge lever guide on the valve inside the stove.
(CAUTION: USE ONLY APPROVED BUTANE GAS CARTRIDGE UL147B OR EN417)

3. When you are ready to use the stove, push the cartridge lever down to the FUEL-LOCK position. If a hissing sound or gas smell is evident, check that cartridge is fitted correctly. Repeat step 2 to stop the gas leakage. If lever is hard to push down, do not force it. Check that the cartridge is fitted correctly and the control is in the OFF position.



IGNITION:

1. Push the control knob in and turn the control knob towards the IGNITION position until a click is heard from the piezo ignitor.
2. If ignition fails, turn the control knob back to the OFF position and repeat.

HEAT CONTROL:

1. The control knob can be turned to adjust the flame output. Adjust it to the suitable position for cooking.

EXTINGUISHING:

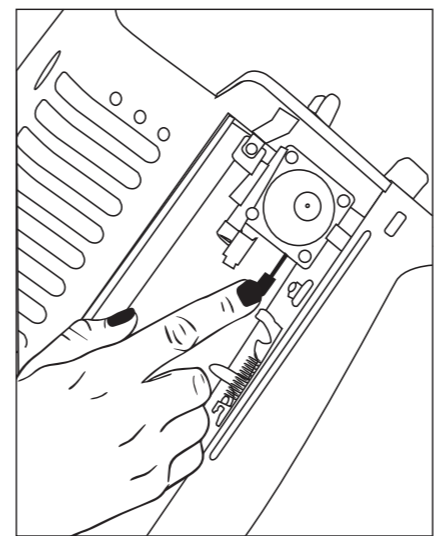
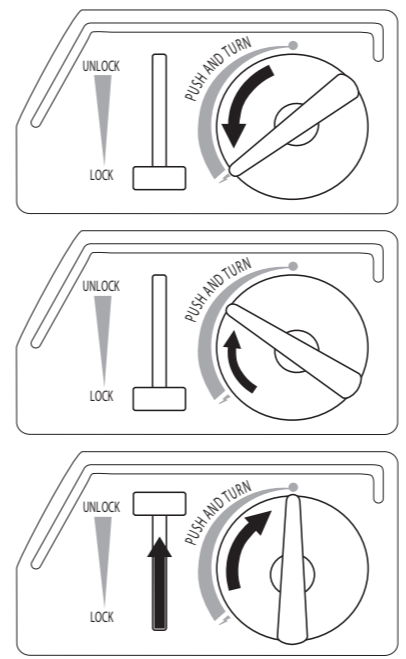
1. Turn the control knob to the OFF position. Confirm that the flame is completely extinguished.
2. Raise the cartridge lever to the UNLOCK position, and take out the gas cartridge when the stove is not in use.

WARNING!!

- Switch cartridge lever to UNLOCK position when appliance is not in use.
- Do not store cartridge in stove during transportation or storage.
- Replace the nozzle cap back onto the cartridge to protect nozzle and avoid accidental gas leakage if nozzle is bumped or depressed.
- Avoid boil overs and spillage.
- During use parts may become very hot. Keep young children away.
- When hot only handle the appliance by the control surfaces intended to be touched.
- Allow to cool before moving or handling.
- Do not use as space heater.
- Do not use for any other purpose other than cooking.
- Remove all packaging before use. Do not operate stove in the carry case.
- CAUTION: Never obstruct the air openings or vents on this appliance.

HOW TO RESET THE SAFETY SHUT OFF

If the stove is used in a hot area such as outdoors in direct sunlight or incorrectly the cartridge will become hot and the pressure inside the cartridge will increase. If the pressure approaches a dangerous level the safety device will activate by ejecting the cartridge. If the ejection mechanism fails, this stove features a secondary safety shut off which can be reset by pushing the lever. If either of these safety devices activate, your method of use is causing the cartridge to overheat. Be responsible and only use this stove safely, as described in these instructions. It may be necessary to open the control knob to release the pressure before another canister can be installed into the stove.



PRECAUTIONS

Gas Cartridge:

1. This appliance shall only be used with a butane cartridge certified to UL147B or EN417
IT MAY BE HAZARDOUS TO ATTEMPT TO FIT OTHER TYPES OF GAS CARTRIDGES.
2. The cartridge should be placed away from flammable products or direct sunlight. Never keep cartridge in places where the temperature is over 50°C.
3. Do not subject the cartridge to impact or rough handling.
4. Cartridges must be stored outdoors in a well ventilated location out of reach of children.
5. Do not puncture or incinerate empty cartridge.
6. Avoid carrying cartridge in the boot of a car or any unventilated enclosure.
7. Gas cartridges shall be changed in a well ventilated location, preferably outside, away from people and any sources of ignition such as naked flames, electric heaters/equipment.
8. To check if gas cartridge contains gas, disconnect from the stove, then hold upright and shake from side to side. If you can feel or hear liquid movement, it contains gas.

Stove:

1. Check the seals between the appliance and the gas cartridge are in place and in good condition before connecting the gas cartridge.
2. Do not use this appliance if it has damaged or worn seals.
3. Do not use this appliance if it is leaking, damaged or does not operate properly.
4. If there is a leak on your appliance (smell of gas) and you cannot stop the gas flow, remove the appliance to a well ventilated location away from any ignition source. Only check for leaks outdoors using a soapy water solution. Do not try to detect leaks using a flame.
5. This appliance must only be serviced by an authorised person.
6. Do not modify this appliance

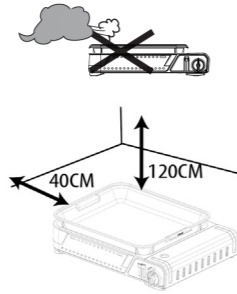
Use:

- CAUTION: DO NOT place the grill pan on the burner without the pan support in position. This stove shall only be used with the supplied cooking pan. NEVER use other cooking pans, plates or vessels on this stove.
1. Do not use for any purpose other than cooking. Incorrect use may result in overheating, incomplete combustion and/or a risk of fire or explosion.
 2. Do not put items such as briquettes or heat beads on the stove.
 3. In the event of a gas leak (smell of gas) immediately turn the control to the off position and move the cartridge lever to the unlock position to isolate the gas supply.
 4. Do not move the appliance during operation.



Placement:

- Do not use the stove in very windy conditions.
- Do not place or use this appliance on any hot surface.
- Do not use the stove under overhanging shelves etc.
- Do not use close to combustible materials such as curtains. No combustible materials should be within 40cm from any side of or 120cm above the stove.
- Use stove in the shade or in cool places. Avoid using in direct sunlight.
- Only operate this appliance on a flat horizontal surface to ensure the aeration opening below the stove is clear and unobstructed.



7. ONLY USE IN WELL VENTILATED AREAS: CARBON MONOXIDE HAZARD - THIS APPLIANCE CAN PRODUCE CARBON MONOXIDE WHICH HAS NO ODOUR. USING IT IN AN ENCLOSED SPACE (FOR EXAMPLE, CARAVAN, TENT, CAR, MOBILE HOME) MAY CAUSE DEATH.

ABNORMAL OPERATION

Abnormal operation can be identified by:

Frequent activation of pressure safety device

Jamming of cartridge lock lever

Irregular burner flame which is yellow or unstable

Black sooting of cooking utensils

Refer to the trouble shooting section of this manual for possible solutions.

If the stove does not operate properly DO NOT use the appliance.

MAINTENANCE

Precautions:

1. Make sure that the gas cartridge is released before cleaning.

2. Never remove safety devices or gas components.

Cleaning:

1. **Body:** Wipe off with a clean cloth. When necessary, use a kitchen cleanser and then finish with a dry cloth.

2. **Pan and lid:** After washing, wipe with a dry cloth.

3. **Burner:** Clean the burner ports with a hard brush making sure that all particles are removed from the burner ports.

SPECIFICATIONS

Model No.	CM2218 / CB2218
Ignition Method	Piezo-Electric
Dimensions	460 mm(W) X 335 mm(D) X 168 mm(H)
Weight	4.50 kg
Nominal Gas consumption	150 g/h (7.5 MJ/hr)
Type of Gas	Butane
Injector size	0.6 mm
AGA approval No.	8585

TROUBLESHOOTING

Problem Cause	No ignition	No burning	Unstable Flame	Uneven Flame	Slow burning	Gas smell	Stopped Working while in Use	Continued burning	Solution
Lack of fuel	•	•			•		•		Replace Cartridge
Piezo plug dirty	•								Clean spark point
Dirty burner	•	•	•	•	•				Clean burner
Cartridge misaligned	•	•	•		•	•			Reset correctly
Faulty knob mechanism	•					•		•	Replace knob
Internal gas pressure too high							•		Cool down gas
Safety device activated	•							•	Reset device
Improper setting of spark point	•								Set spark point to 2mm away from burner

If you are still experiencing difficulty with the appliance after trying the above solutions, the appliance should not be used until it has been inspected and repaired by a suitably qualified person.

WARRANTY

1 YEAR EXPRESS WARRANTY

SRGS PTY LTD ("SRGS") warrants that this product will be free from material defects in workmanship and materials for a period of 1 year from the date of purchase ("Warranty Period"). If a material defect occurs during the Warranty Period, and SRGS verifies such material defect and your claim, SRGS will choose to either repair the product, replace the product, or provide you with a refund of the purchase price of the product ("SRGS Express Warranty"). Any repaired or replaced product will be covered by SRGS Express Warranty for the remainder of the original Warranty Period only.

SRGS Express Warranty will not apply if the defect in the product is caused or contributed to by misuse of the product, failure to maintain the product, neglect or accident, ordinary wear and tear (including rust, corrosion, and normal fading, weathering, staining, discolouration, scratching or chipping), exposure to heat, failure to use or install the product in accordance with any instructions or manuals, or any modification, repair or tampering with the product by anyone other than AHM.

To claim under SRGS Express Warranty, you must take the product (and proof of purchase) to the store where it was purchased. You must provide any additional information requested in relation to your claim. For online purchases, contact the online supplier to arrange the return of the product. You will bear any costs incurred in making a claim, including any costs of returning the product to the store, and of having the product returned to you (if applicable).

PLU: 573816
DESC: Portable Butane Grill Stove
CODE: CB2218
Manufactured and packaged for
SRGS PTY LTD
ABN 23 113 230 050
751 Gympie Road, Lawnton,
Queensland 4501, Australia
MADE IN CHINA



ALL 4 ADVENTURE

PORTABLE BUTANE STOVE WITH PAN AND LID OPERATING INSTRUCTIONS



WARNING: FOR OUTDOOR USE ONLY

CB2218



- Improper installation, adjustment, alteration, service or maintenance can cause property damage, injury or death.
- IMPORTANT.** Read these instructions for use carefully. Familiarise yourself with the appliance before connecting it to its gas container. Keep these instructions for future reference.
- WARNING:** Accessible parts may be very hot. Keep young children away at all times.
- DO NOT** modify this appliance.