

W a n d e r e r 



12v INPUT



240v INPUT



RECHARGEABLE

Owners Manual

12" TWO SPEED OSCILLATING FAN
RECHARGEABLE (Li-ION)

WARRANTY

Our product is guaranteed to be free from quality and manufacturing defects for a period of **12 months**.

If your product becomes defective during this period, **SRGS PTY LTD** will offer you either a replacement, credit or refund where a product is faulty; wrongly described; different from the sample shown to you or do not do what they are supposed to do.

This warranty will not cover substantially modified product; misuse or abuse of the product contrary to user instructions or packaging label; change of mind and normal wear and tear.

Our goods come with guarantees that cannot be excluded under the Australian Consumer Law. You are entitled to a replacement or refund for a major failure and for compensation for any other reasonably foreseeable loss or damage. You are also entitled to have the goods repaired or replaced if the goods fail to be of acceptable quality and failure does not amount to a major failure.

To claim the warranty, take the product to the front Service Desk of your nearest store of purchase. You will need to show receipt or other proof of purchase. Additional information may be required to process your claim. Should you not be able to provide proof of purchase with a receipt or bank statement, identification showing name, address and signature may be required to process your claim.

Any expenses relating to the return of your product to the store will normally have to be paid by you. For online store purchases, **SRGS PTY LTD** will pay for the return freight for any product assessed as having a major failure.

The benefits to the customer given by this warranty are in addition to other rights and remedies of the Australian Consumer Law in relation to the goods or services to which this warranty relates.

This warranty is provided by **SRGS PTY LTD, 6 Coulthards Avenue, Strathpine QLD 4500, Australia. Phone: 1300 175 010.**

IMPORTANT SAFETY INSTRUCTIONS

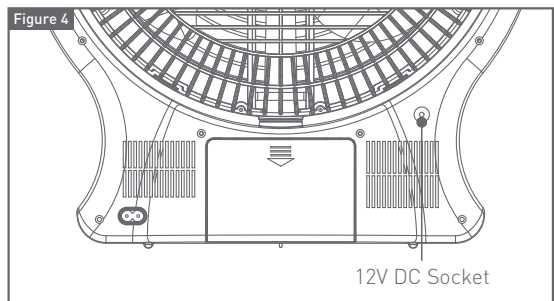
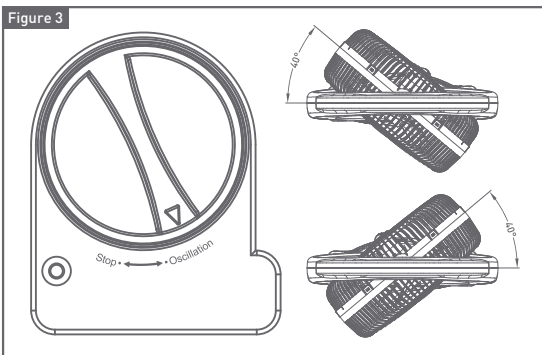
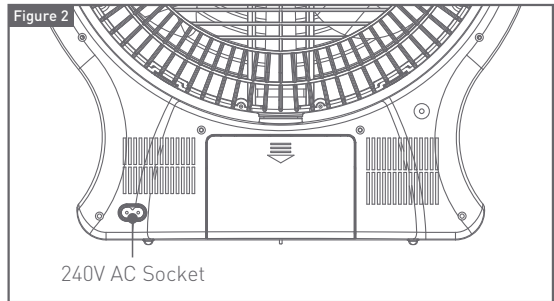
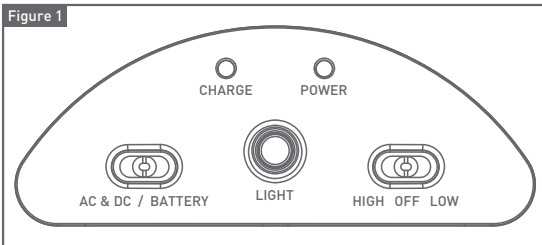
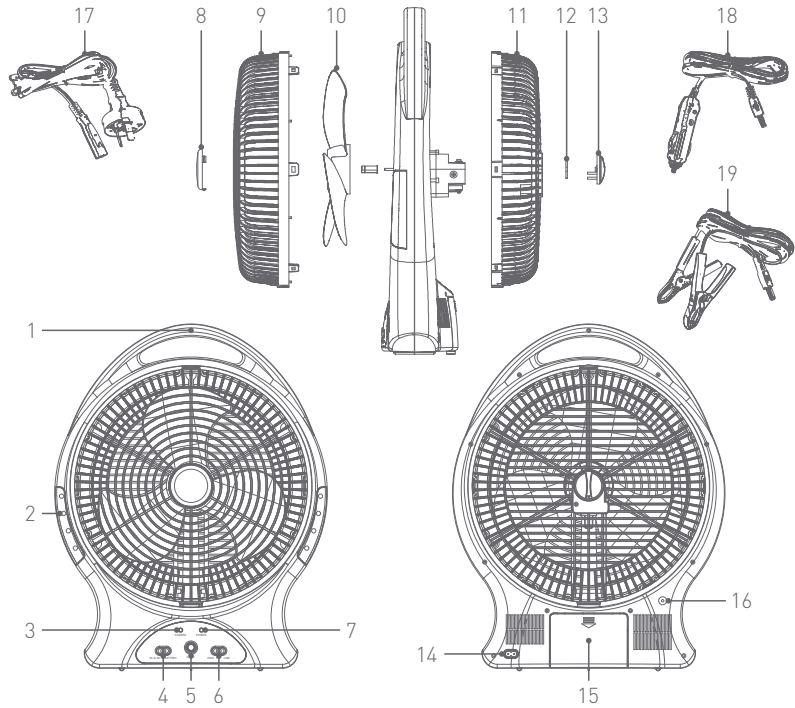
- Please read all the instructions carefully before using the appliance.
- Keep this owners manual in a safe place for future use.
- This appliance is not intended for use by persons (including children) with reduced physical, sensory or mental capabilities or lack of experience and knowledge unless they have been given supervision or instruction concerning use of the appliance by a person responsible for the safety.
- Children should be supervised to ensure that they do not play with the appliance.
- Use only the included adaptors to charge and operate the fan.
- If the supplied 240V AC power cord with plug adaptor of this fan is damaged, it shall be exclusively replaced by the manufacturer or his service agent or a similar qualified person in order to avoid a hazard.
- To reduce the risk of electrical shock, do not put in water or other liquid. Do not place or store appliance where it can fall or be pulled into a tub or sink. This fan has no waterproof function, please do not use in wet conditions.
- Ensure that the fan is switched off from the supply mains before removing the guard for cleaning.

CONTENTS

- 1 x 12" Two speed rechargeable oscillating fan
- 1 x 1.5m 240V AC power cord with plug adaptor
- 1 x 1.8m 12V DC power cord with 12V plug adaptor
- 1 x 1.5m 12V DC power cord with battery clamps adaptor
- 1 x Owners manual

PARTS LIST AND DIAGRAM

1. Carrying Handle
2. White LED Lights
3. Charging Indicator
4. AC & DC / BATTERY Switch
5. Light Switch
6. HIGH / OFF / LOW Switch
7. Power Indicator
8. Protective Cover
9. Front Guard
10. Fan Blade
11. Back Guard
12. Fixing Ring
13. Oscillating Knob
14. 240V AC Socket
15. Battery Cover
16. 12V DC Socket
17. 1.5m 240V AC Power Cord with Plug Adaptor
18. 1.8m 12V DC Power Cord with 12V Plug Adaptor
19. 1.5m 12V DC Power Cord with Battery Clamps Adaptor



TO OPERATE THE RECHARGEABLE FAN

1. This fan has three working options: AC, DC and rechargeable battery. Slide the **AC & DC / BATTERY Switch (4)** to "AC & DC" position when using the 12V DC or 240V AC power source as shown in Figure 1. Slide the **AC & DC / BATTERY Switch (4)** to "BATTERY" position when operating from rechargeable battery as shown in Figure 1.
2. Connect the input jack from either one of the included adaptor [**1.5m 240V AC Power Cord with Plug (17)**, **1.8m 12V DC Power Cord with 12V Plug (18)** or **1.5m 12V DC Power Cord with Battery Clamps (19)**] to the **240V AC Socket (14)** in the back of fan as shown in Figure 2 or the **12V DC Socket (16)** in the back of the fan as shown in Figure 4. Connect the other end of the either adaptor to the appropriate power source.
3. This fan has three working modes: HIGH / OFF / LOW, select the desired mode by sliding the **HIGH / OFF / LOW Switch (6)** as shown in Figure 1.
4. The **Power Indicator (7)** will be solid blue when the fan is in operation.
5. The **White LED Lights (2)** are able to operate on their own individually or with the fan by pressing the **Light Switch (5)** on control panel as shown in Figure 1.
6. The fan can oscillate 40° around the spindle by turning the **Oscillating Knob (13)** on the back grate to the oscillation position as shown in Figure 3.

TO CHARGE THE BATTERY

1. Connect the input jack from either one of the included adaptor [**1.5m 240V AC Power Cord with Plug (17)**, **1.8m 12V DC Power Cord with 12V Plug (18)** or **1.5m 12V DC Power Cord with Battery Clamps (19)**] to the **240V AC Socket (14)** in the back of fan as shown in Figure 2 or the **12V DC Socket (16)** in the back of the fan as shown in Figure 4. Connect the other end of the either adaptor to the appropriate power source.
2. Battery charging indicator will illuminate RED when battery is charging, it will change to GREEN when battery is fully charged. When battery is low it should be charged immediately.
3. Whilst charging, the fan will not operate if switched to "BATTERY" using the **AC & DC / BATTERY Switch (4)**. To operate the fan whilst charging, switch the **AC & DC / BATTERY Switch (4)** to "AC & DC" and the "**HIGH / OFF / LOW**" switch **(6)** to either "HIGH" or "LOW".
4. Charging time for the built in Lithium ion rechargeable battery (7.4V 4Ah) is 8 - 12 hours.

Note: To ensure longevity, charge the fan for more than 12 hours if it has not been used for 3 months.

SPECIFICATIONS

| | | | |
|-----------------|--------------------------------------|---------------------|--|
| Input Voltage | 220-240V AC ~ 50Hz or 12V DC | Battery Charge Time | 8 to 12 Hours |
| Output Wattage | 22 Watt | Run Times | High - 4 Hours Low - 6 Hours |
| Working Current | 1.3 Amp Max. | Dimensions | L394 x W160 x H498mm |
| Battery Type | 7.4V 4Ah Lithium Ion Rechargeable | Weight | 1.80kg |
| LED Type | 4 x White LEDs on Either Side of Fan | Adaptors | 1 x 1.5m 240V AC Power Cord with AC Plug |
| Mode | HIGH / OFF / LOW Settings | | 1 x 1.8m 12V DC Power Cord with 12V Plug |
| Operation | Oscillating or Fixed Head | | 1 x 1.5m 12V DC Power Cord with Battery Clamps |

PLU: 566680 CODE: CR-8212
 Manufactured and packaged for
 SRGS PTY LTD ABN 23 113 230 050
 6 Coulthards Avenue, Strathpine QLD 4500, Australia
 MADE IN CHINA

