

# RHINO-RACK®

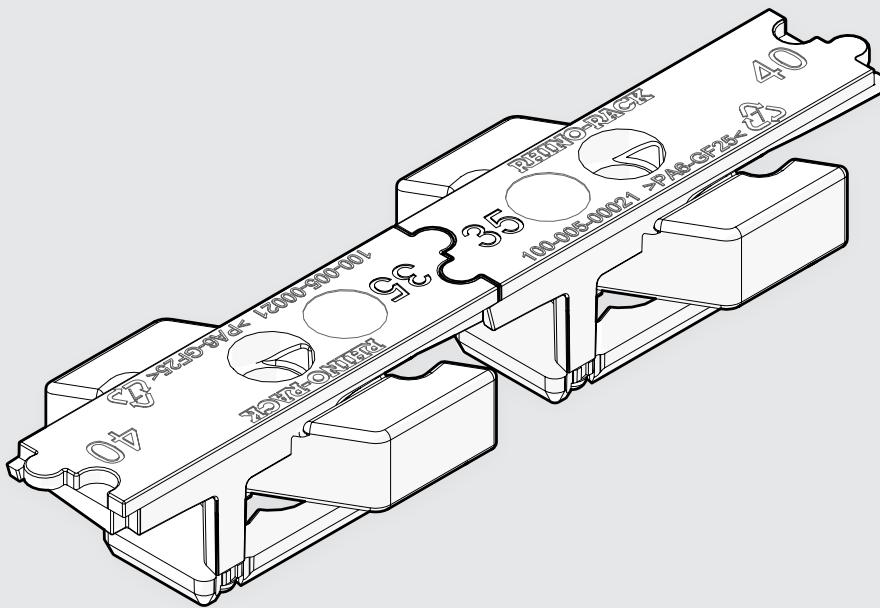
## Zwifloc Channel Nuts HSIT

### Important:

1. Check the Rhino-Rack website to ensure you have the latest issue of these instructions.
2. Please refer to your fitting instruction to ensure that the roof racks are installed in the correct locations.
3. Check the contents of kit before commencing fitment and report any discrepancies.
4. Place these instructions in the vehicle's glove box after installation is complete.
5. These instructions must be followed for warranty to be upheld.

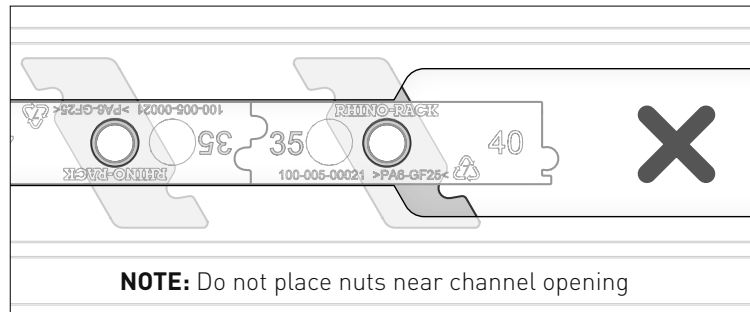
**Fit Time:** 10 mins

## ZWIFLOC™



## Warning

- Check part number or kit is correct for use with your vehicle.
- Do not attempt to fit rack systems to your vehicle unless you fully understand these fitting instructions. Please direct any questions regarding fitting to the dealer from where the roof racks were purchased.
- Off-road conditions can be much more rigorous. Extreme care must be taken on any driven path that does not contain a surface protection layer (tar/bitumen).
- Always ensure you fasten your load securely.



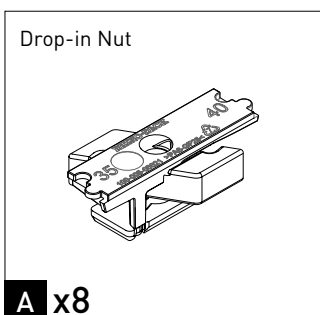
## In service maintenance checks

- All bolt connections should be checked after driving a short distance when you first install your roof racks.
- All bolted connections should be checked again at regular intervals (weekly is recommended, depending on road conditions, usage, loads and distances travelled).
- All bolted connections should be checked each time they are re-fitted.
- Off-road conditions are more rigorous. Check all bolted connections and your load more regularly.
- Ensure that your vehicle manufacturer's GVM, and gross axle weights are not exceeded (refer to vehicle owner's manual).

## Note for Dealers and Fitters

It is your responsibility to ensure these fitting instructions are given to the end user or client. These instructions remain the property of Rhino-Rack Australia Pty. Ltd. and may not be used or changed for any other purpose than intended.

## Parts List



### TOOLS REQUIRED:

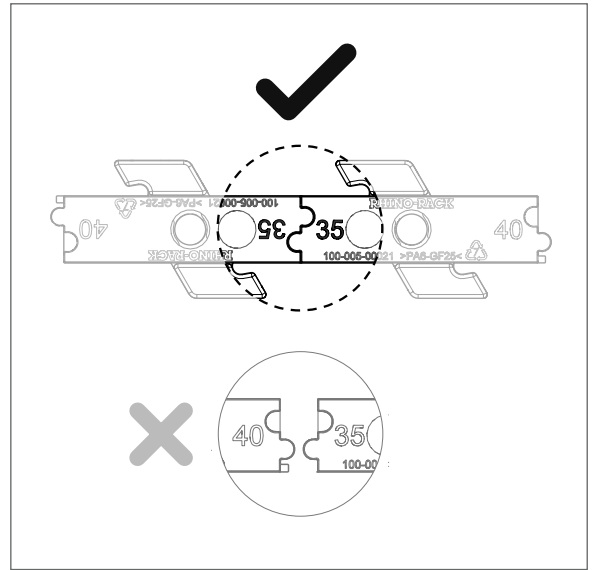
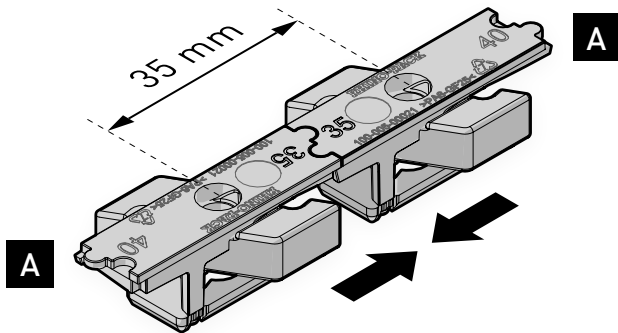
- T1** - Ruler / Tape Measure  
**T2** - Relevant Tool To Remove Screws

1

Refer to the Accessories Fitting Instruction for spacing:

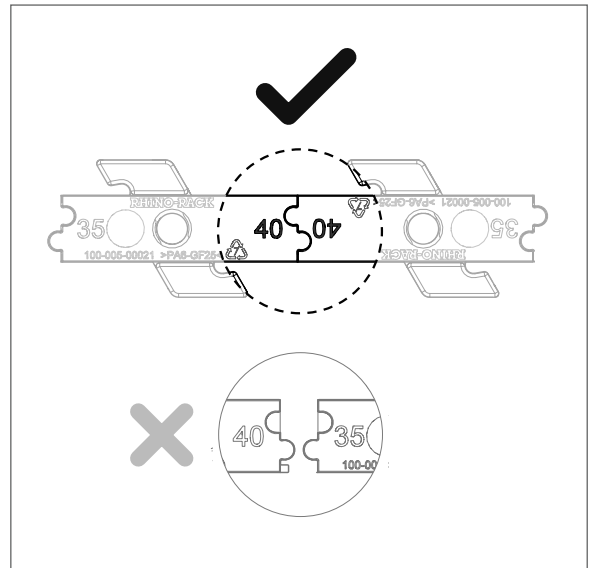
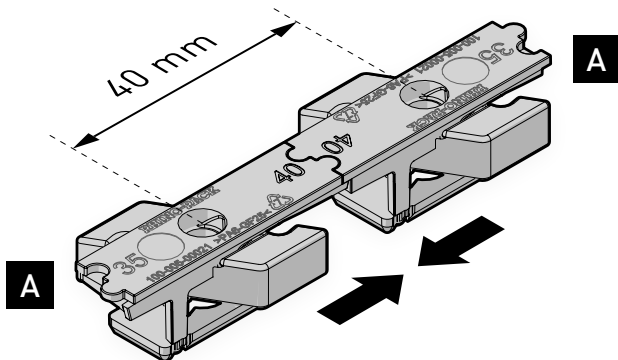
### 35-35

35MM SPACING



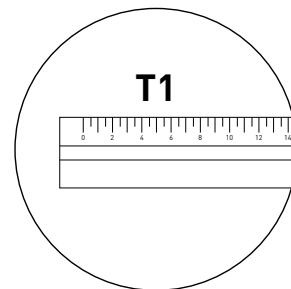
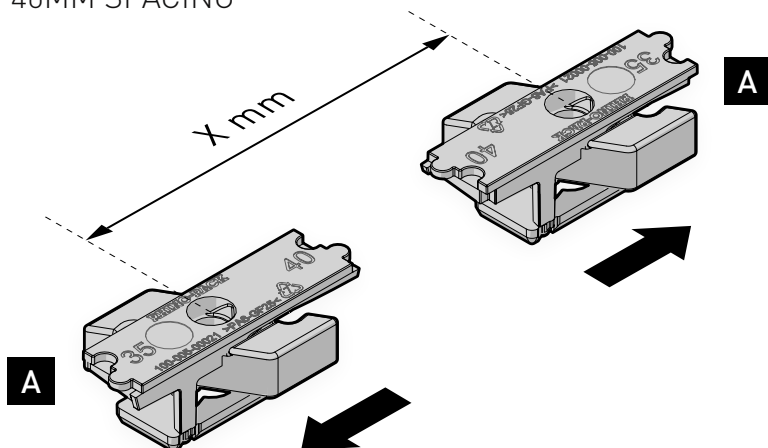
### 40-40

40MM SPACING



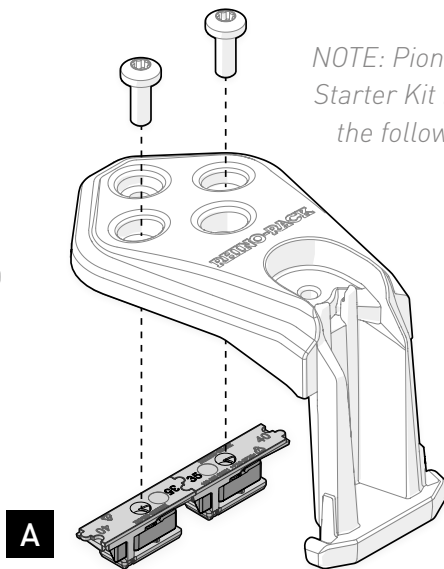
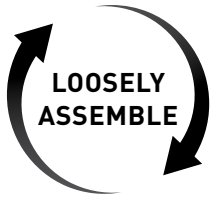
### DETACHED

> 40MM SPACING



Measure distance between accessory hardware holes

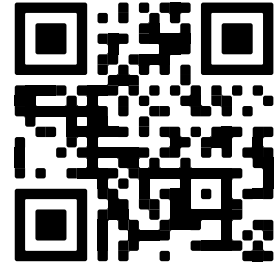
2



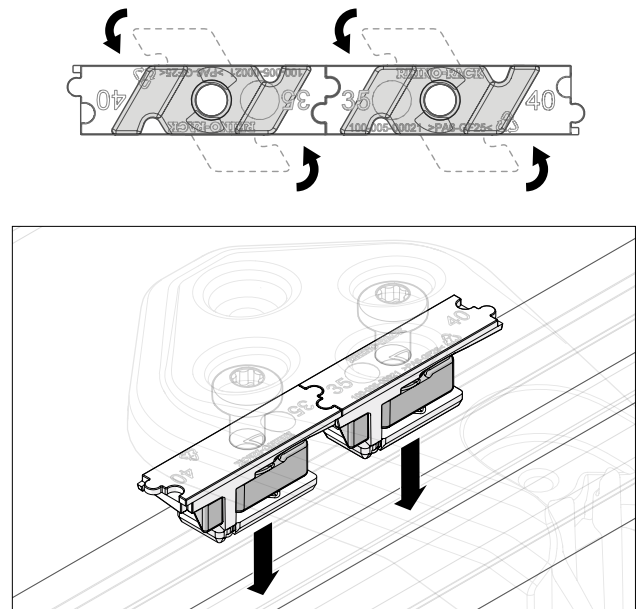
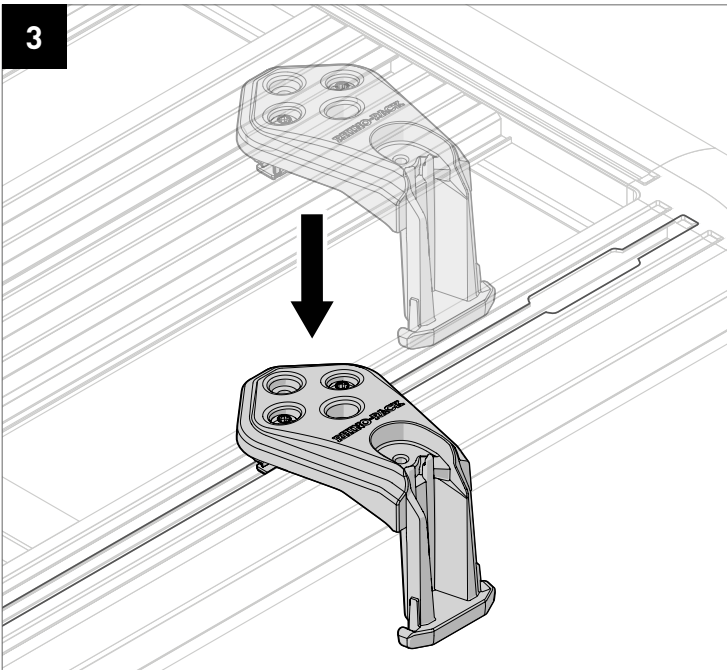
NOTE: Pioneer and Stow-it Starter Kit (SSIT) shown in the following example.

Ensure **ZWIFLOC™** is compatible with accessories and fasteners (Not included)

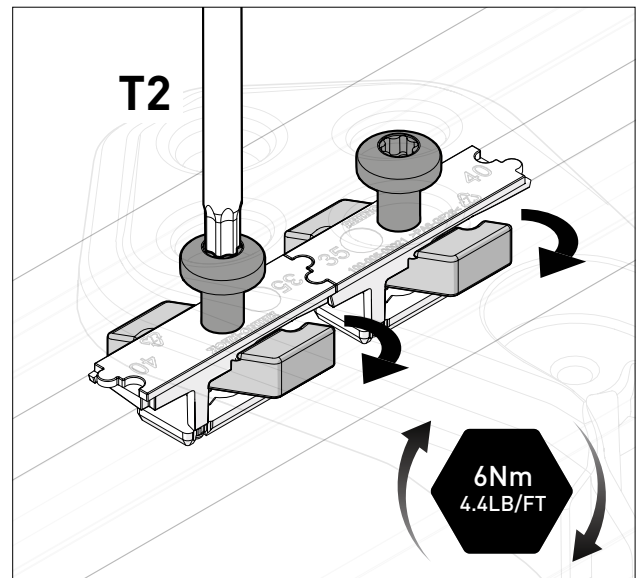
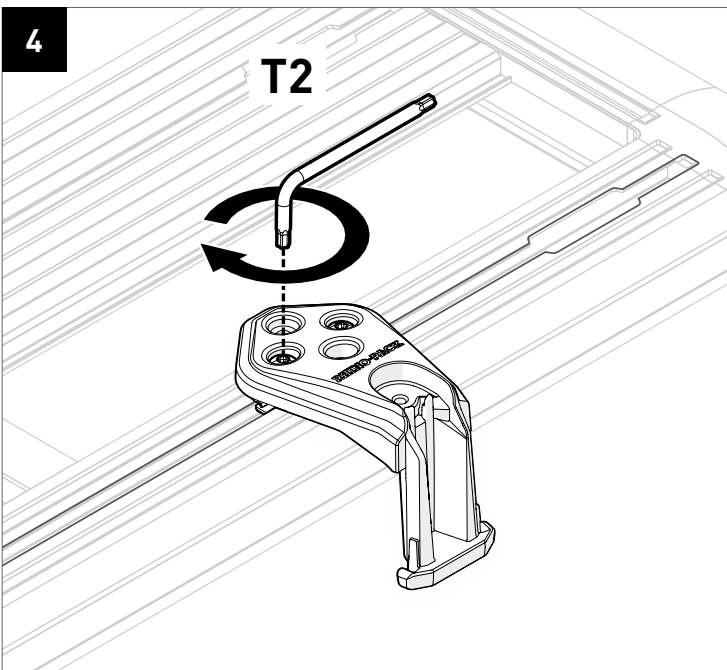
Visit [Rhino-rack.com](http://Rhino-rack.com) for compatible products:



3



4



REMOVAL

