



# RHINO-RACK®

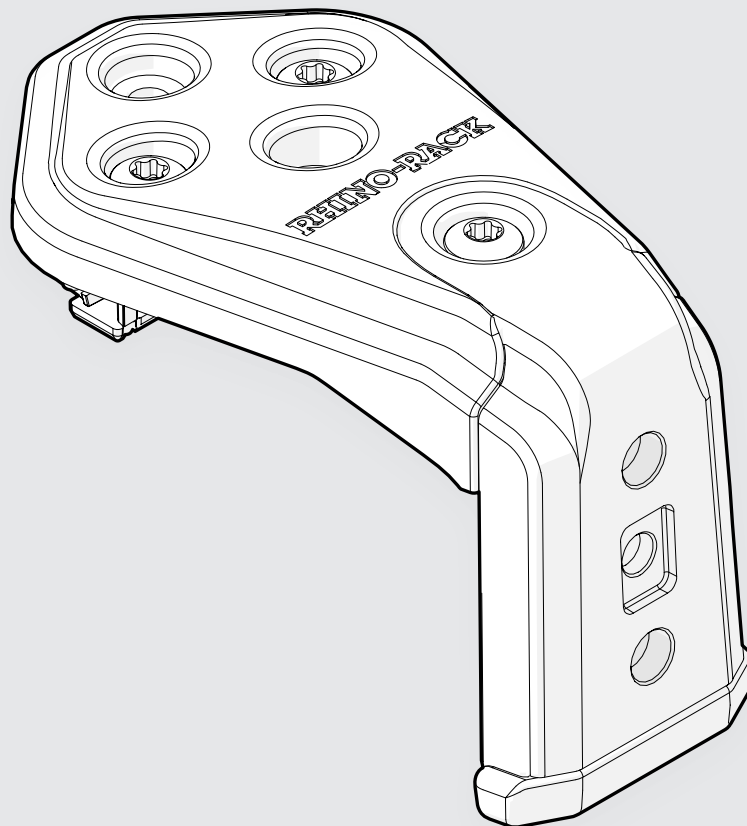
## Stow-it Starter Kit SSIT

**Important:**

1. Check the Rhino-Rack website to ensure you have the latest issue of these instructions.
2. Please refer to your fitting instruction to ensure that the roof racks are installed in the correct locations.
3. Check the contents of kit before commencing fitment and report any discrepancies.
4. Place these instructions in the vehicle's glove box after installation is complete.
5. These instructions must be followed for warranty to be upheld.

**Fit Time:** 30 mins

**STOW it™**



**Rhino-Rack AUSTRALIA**  
22A Hanson Pl,  
Eastern Creek, NSW, 2766  
(02) 8846 1900  
rhinorack.com.au

**Rhino-Rack USA**  
Unit D, 2450 Airport Blvd,  
Aurora, CO, 80011  
877-744-6622  
rhinorack.com

**Rhino-Rack CANADA**  
19100 Airport Way  
Pitt Meadows, BC V3Y OE2  
rhinorack.ca

Document No: 520-RFI-00058  
Issue No: 01  
Issue Date: 18/11/2021

## Instructions

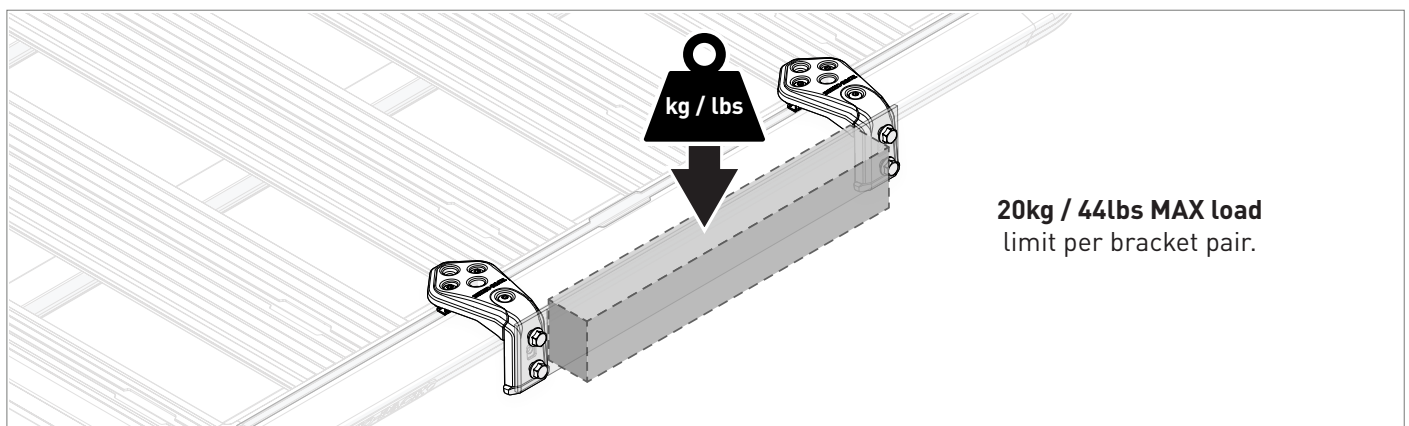
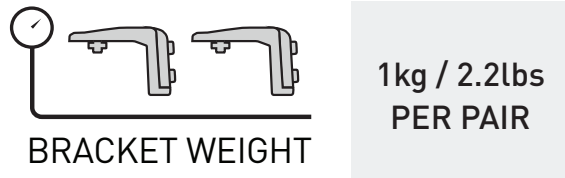
---

### Carrying Capacity

---

The maximum permissible cargo capacity on a pair of Brackets is **20kg/44lbs**.

\*Check the vehicle owners hand book for your vehicle manufacturer's maximum carrying capacity. Do not exceed the vehicle manufacturer's maximum roof carrying capacity. The weight of the roof racks, that the accessory is attached to, must also be included in the total vehicle roof load.



### Warning

---

- Check part number or kit is correct for use with your vehicle.
- Do not attempt to fit the bed rack system to your vehicle unless you fully understand these fitting instructions. Please direct any questions regarding fitting to the dealer from where the roof racks were purchased.
- Off-road conditions can be much more rigorous. Extreme care must be taken on any driven path that does not contain a surface protection layer (tar/bitumen).
- Bed racks must be removed when vehicle is put through an automatic car wash.
- With utility/pick up vehicles, the cabin and the truck bed move independently. Bed racks and vehicle can be damaged if the item transported is rigidly fixed at points on both the cabin and truck bed. Instead, rigidly fix to either the bed racks or the canopy roof racks.
- Always ensure you fasten your load securely.
- Use only non-stretch fastening ropes or straps to attach cargo to your load.

### In service maintenance checks

---

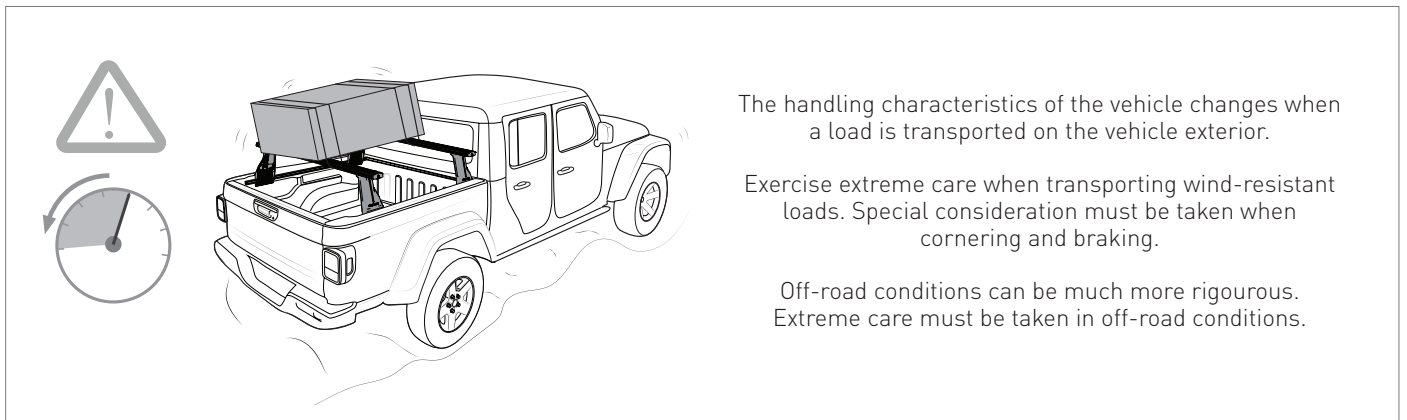
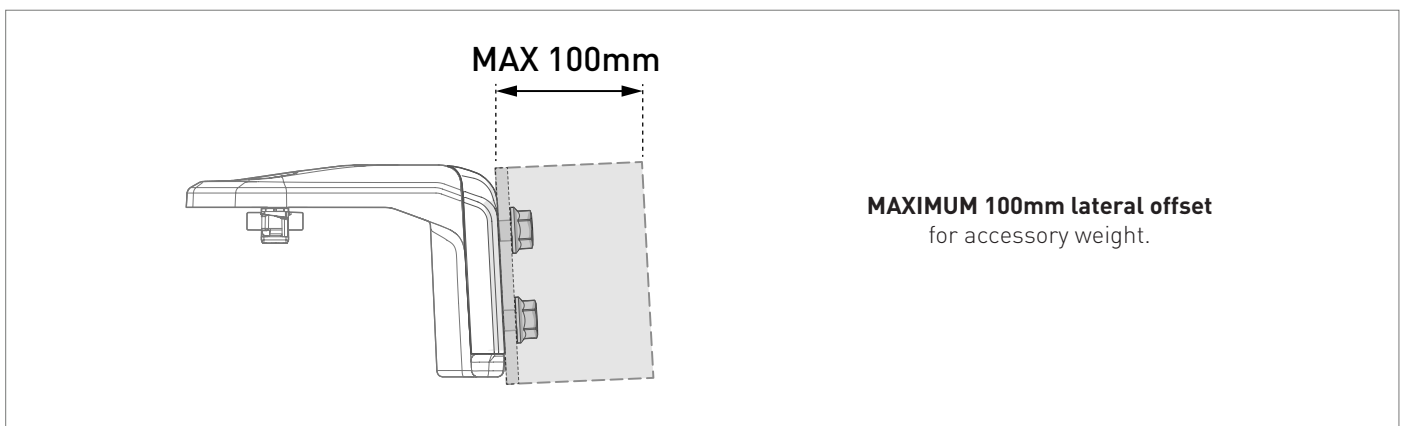
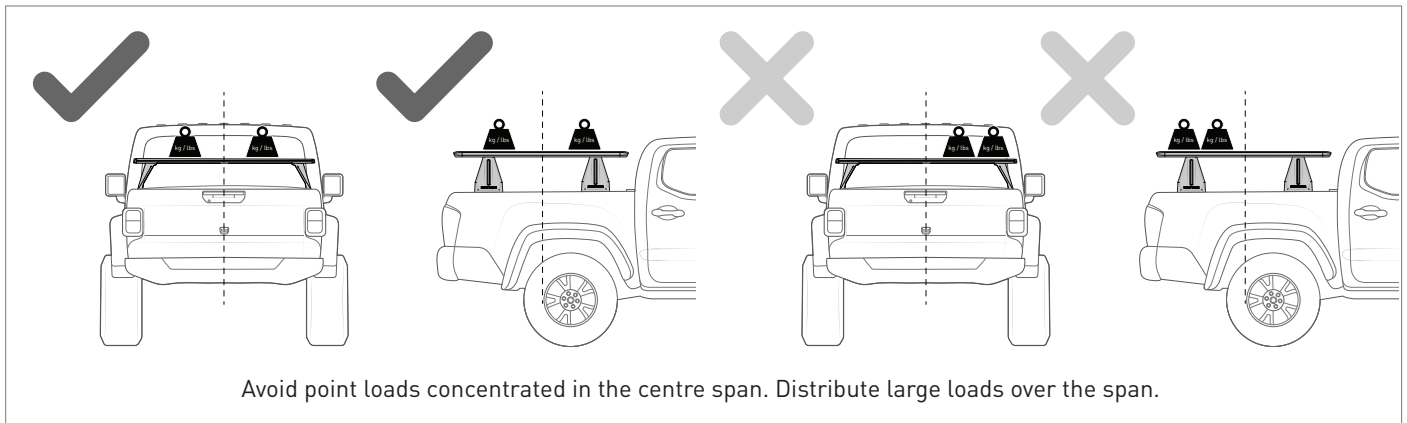
- All bolt connections should be checked after driving a short distance when you first install your roof racks.
- All bolted connections should be checked again at regular intervals (weekly is recommended, depending on road conditions, usage, loads and distances travelled).
- All bolted connections should be checked each time they are re-fitted.
- Off-road conditions are more rigorous. Check all bolted connections and your load more regularly.
- Ensure that your vehicle manufacturer's GVM, and gross axle weights are not exceeded (refer to vehicle owner's manual).

#### Torque Settings:

Unless stated otherwise in these instructions, all fasteners should be set to the following torque settings:



## Instructions

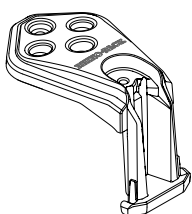
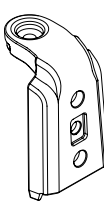
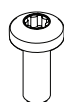
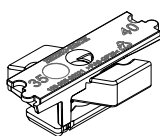


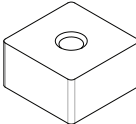
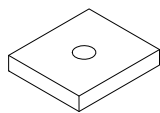


## Note for Dealers and Fitters

It is your responsibility to ensure these fitting instructions are given to the end user or client. These instructions remain the property of Rhino-Rack Australia Pty. Ltd. and may not be used or changed for any other purpose than intended.

# Instructions

## Parts List

|   |   |  |  |
|---|---|--|--|
| <p>Base Bracket</p>  <p><b>A</b> x4</p>                | <p>Universal Adaptor</p>  <p><b>B</b> x4</p> | <p>M6 x 16 Torx Pan Head Screw</p>  <p><b>C</b> x8</p> | <p>Drop-in Nut</p>  <p><b>D</b> x8</p>        |
| <p>M6 x 12 Torx Pan Head Screw</p>  <p><b>E</b> x4</p> | <p>M6 Torx Bit</p>  <p><b>F</b> x1</p>       | <p>Reconn-Deck Bar Channel Nut</p>  <p><b>G</b> x8</p> | <p>VA Bar Channel Nut</p>  <p><b>H</b> x8</p> |

### Tools Required:

**T1** - Torque Tool (Supplied with 5XXX Series Pioneer Platform)

**T2** - Socket Set (Select required size for accessory hardware)

**T3** - Scissors (For VA bars)

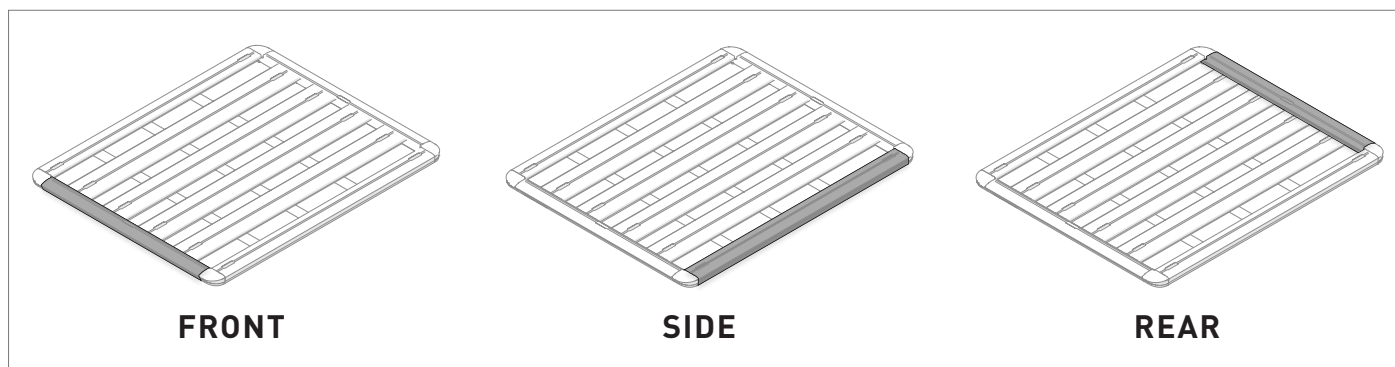
### CONTENTS:

For installation onto **Pioneer Platforms**, complete Steps **1** - **4** and **9** - **13**

For installation onto **Crossbars**, complete Steps **5** - **13**

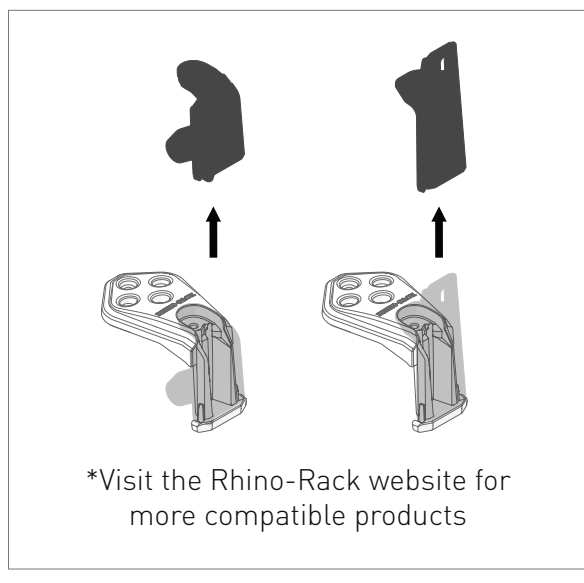
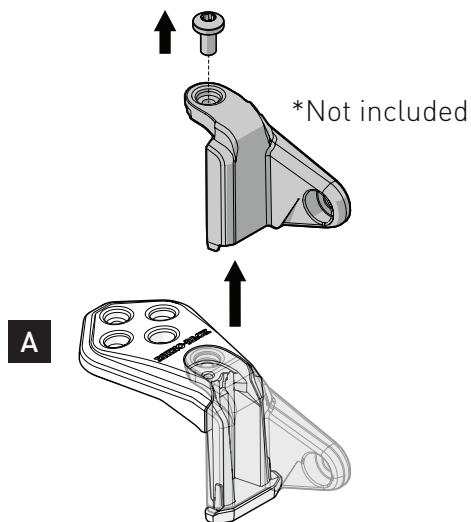
(Additional Step **14** for VA bars)

### PLATFORM PLACEMENT OPTIONS:



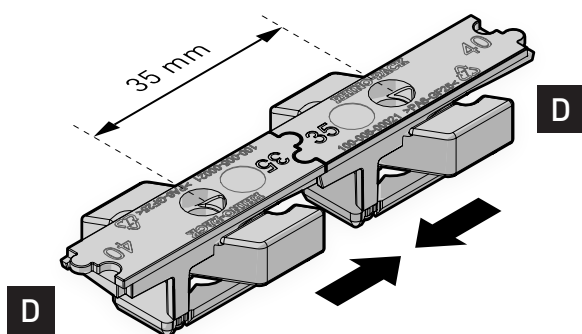
# Instructions

**NOTE** Remove previous adapter if installed.

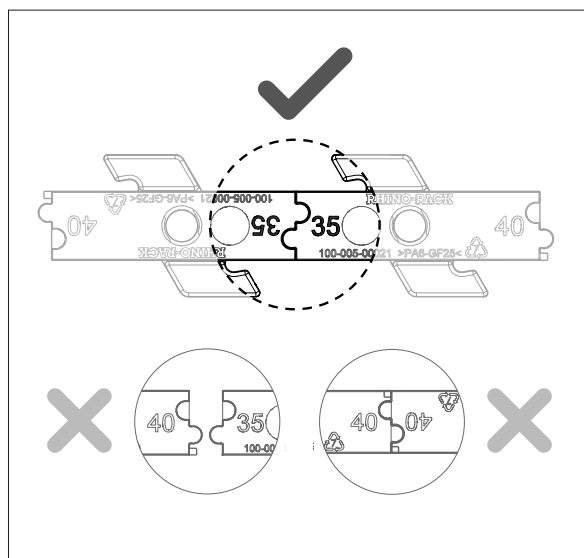


## FOR INSTALLATION ONTO PIONEER PLATFORMS (For Crossbars, skip to Step 5)

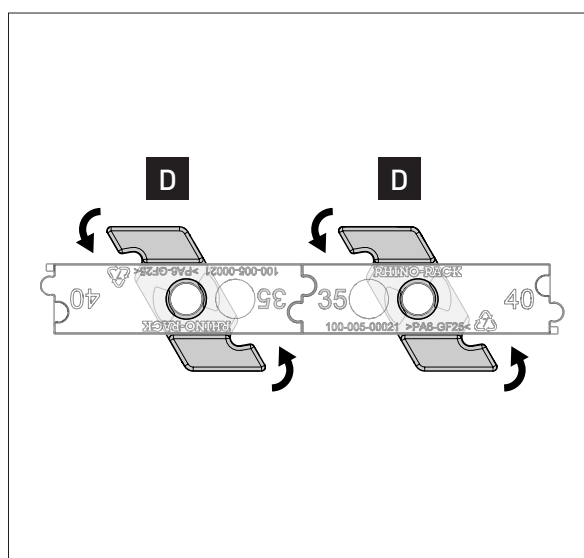
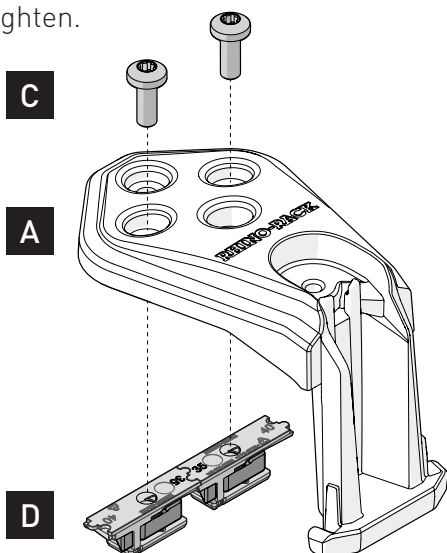
1



**NOTE:** Joining the 35 - 35 sides will create 35mm spacing between the two centres.

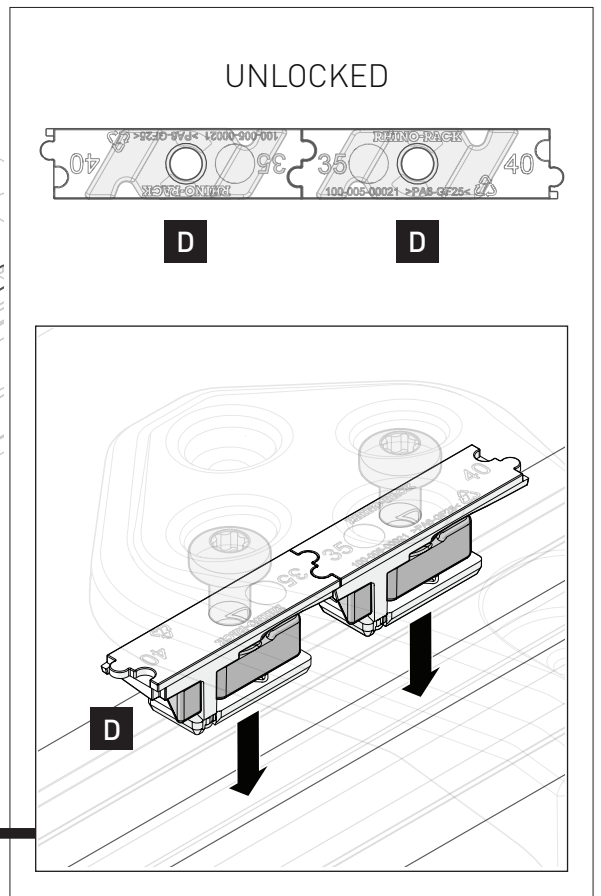
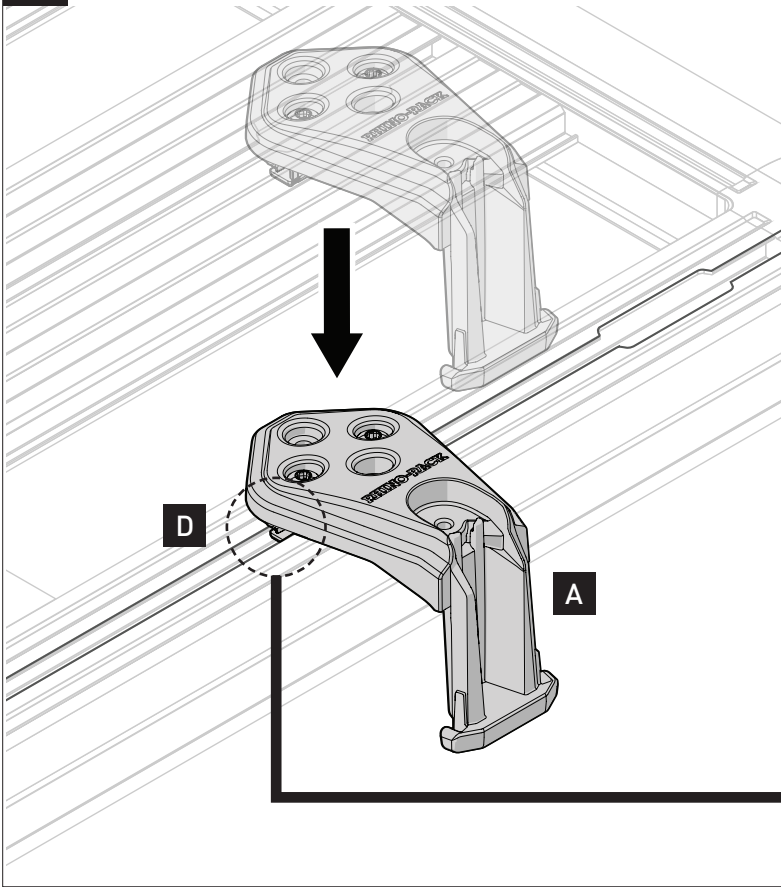


2 Finger tighten.

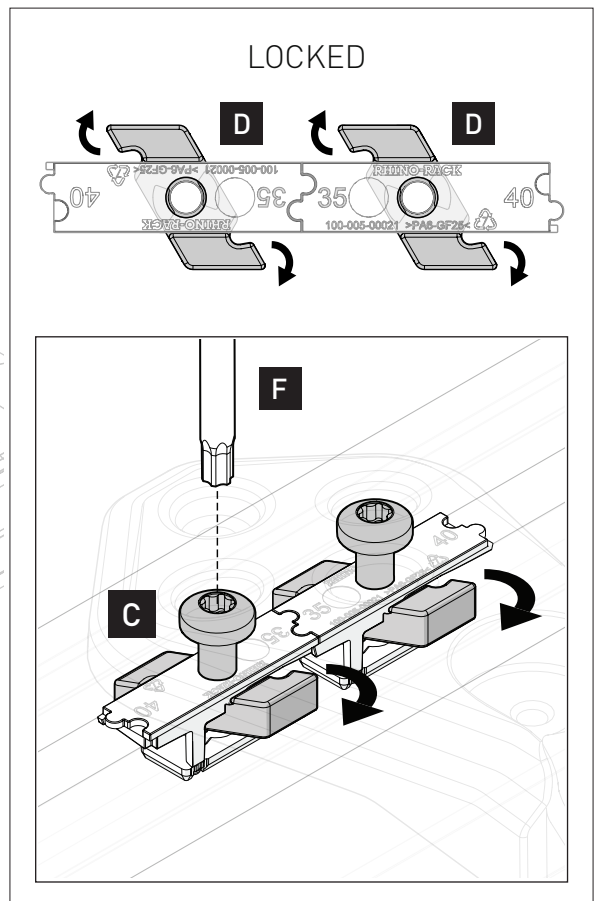
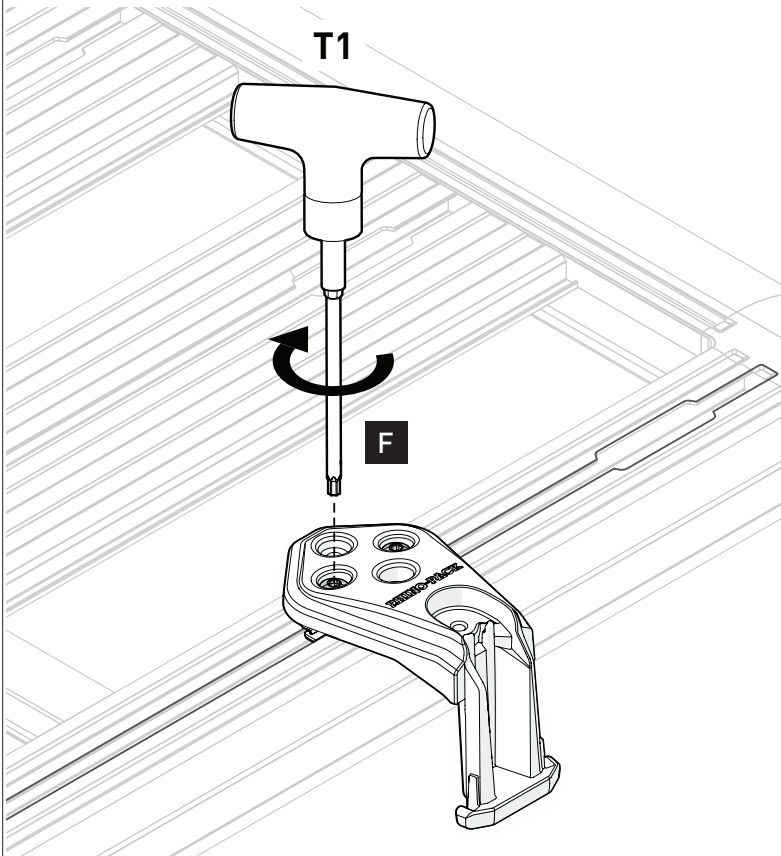


# Instructions

**3** Drop in foundation base assembly into pioneer rail.

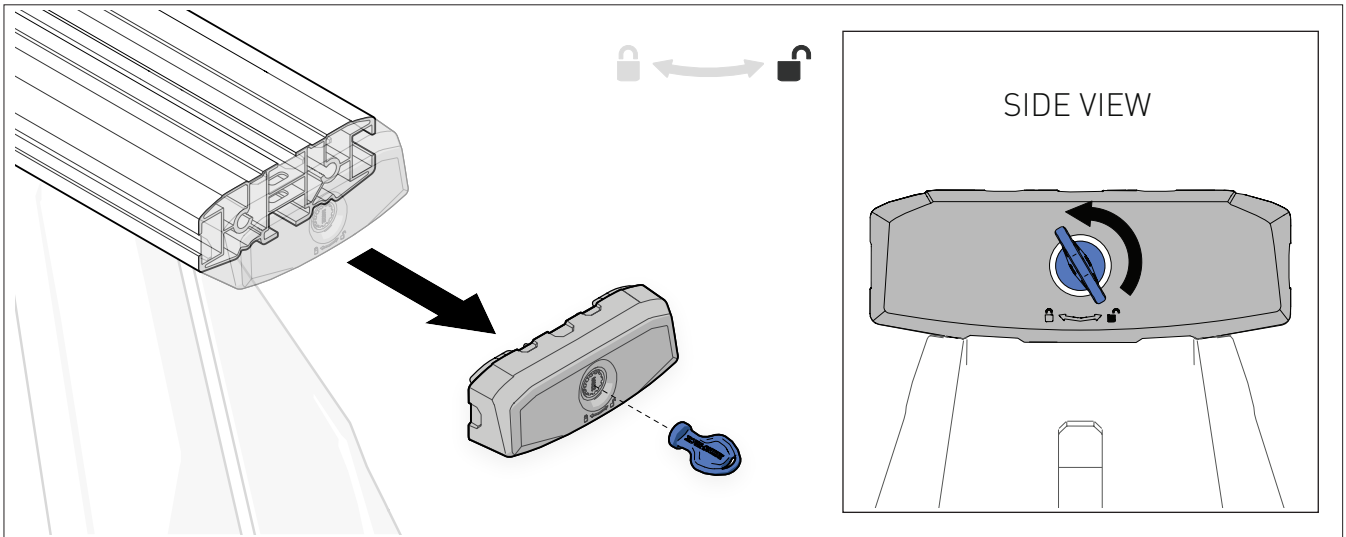


**4** Loosely fasten screws so that the metal locking nuts engage into the channel, but not tightened.

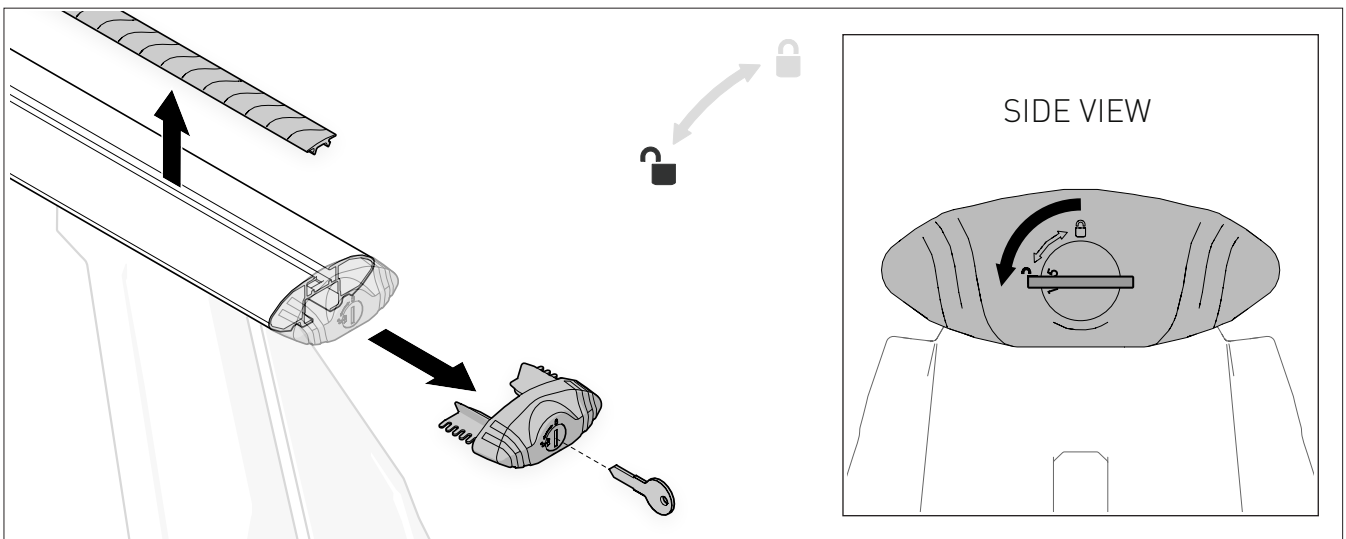


**FOR INSTALLATION ONTO CROSSBARS** (For Pioneer Platforms, skip to Step **9**)

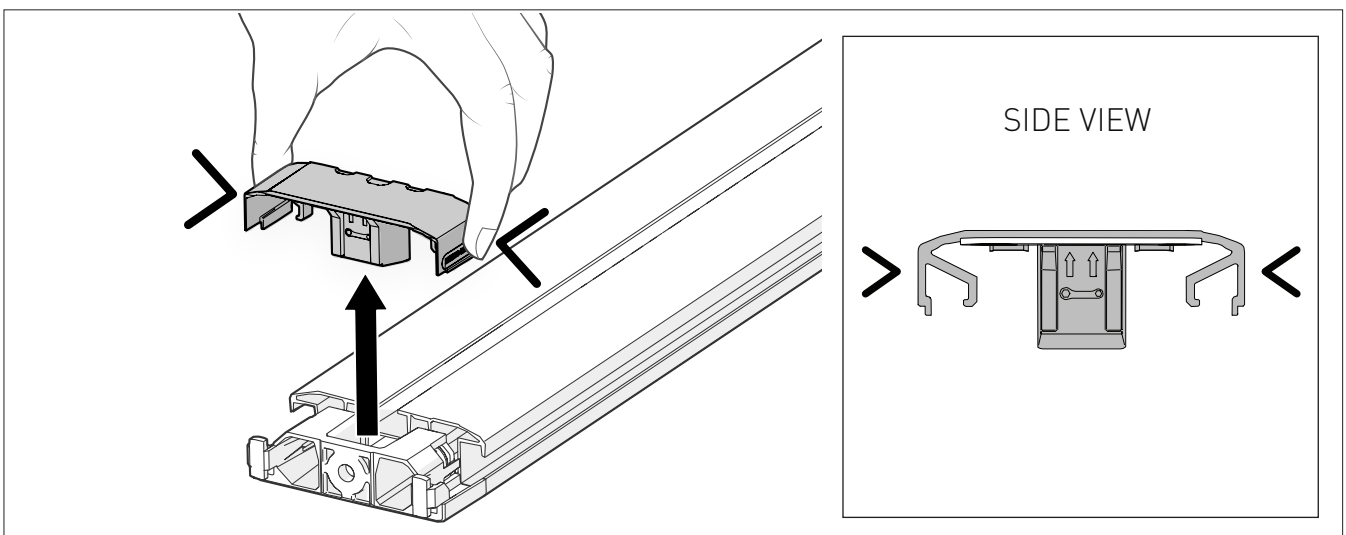
**5** RECONN-DECK BARS



VORTEX BARS

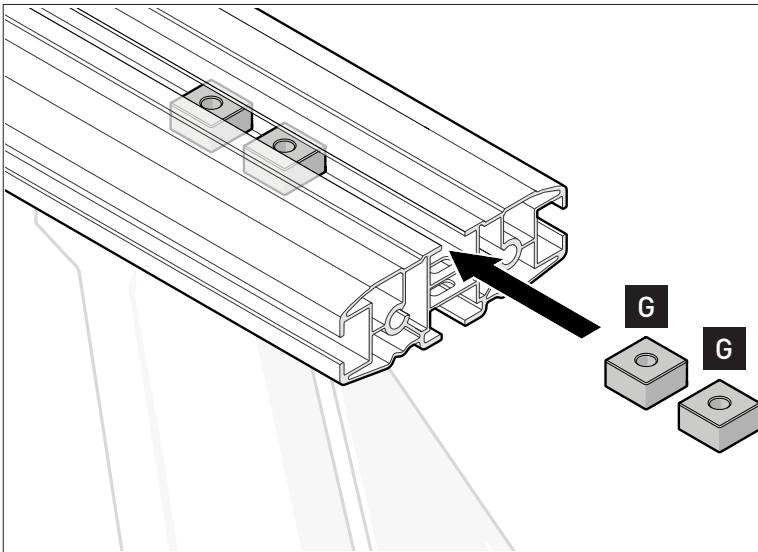


RECONN-DECK NS BARS

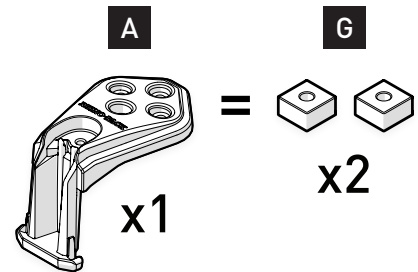




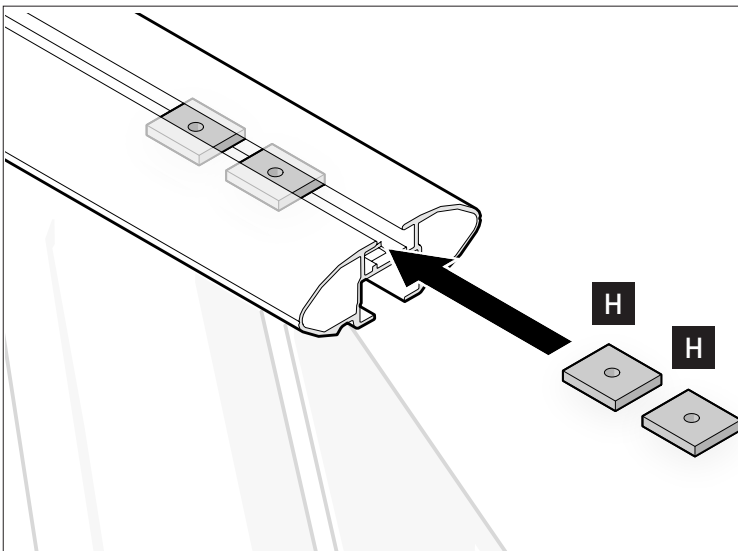
**6 RECONN-DECK BARS**



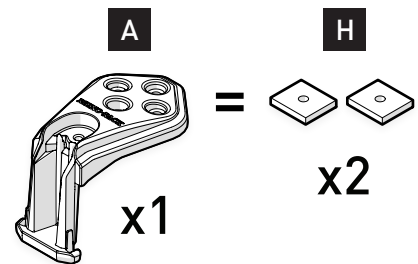
NOTE: Two channel nuts per bracket



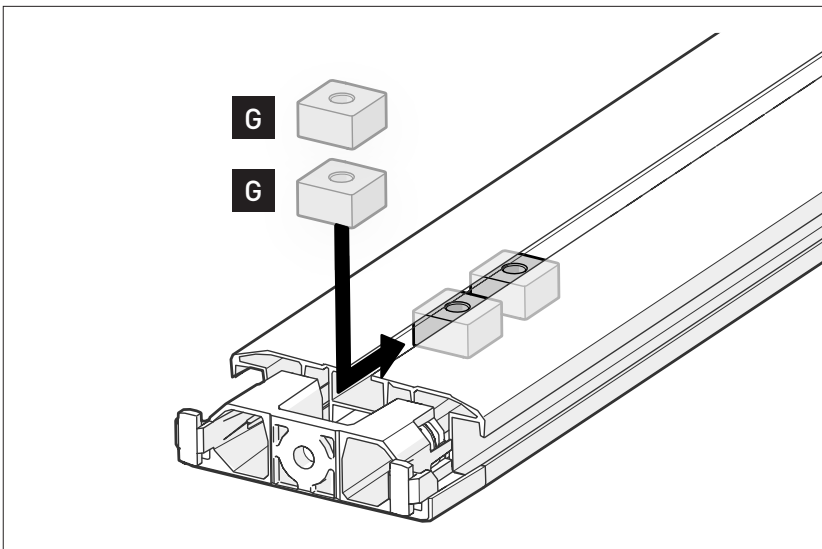
**VORTEX BARS**



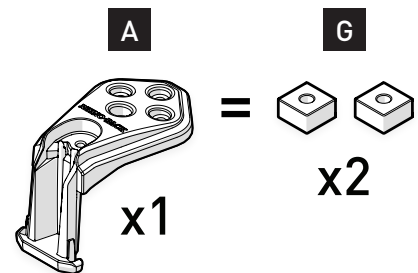
NOTE: Two channel nuts per bracket



**RECONN-DECK NS BARS**

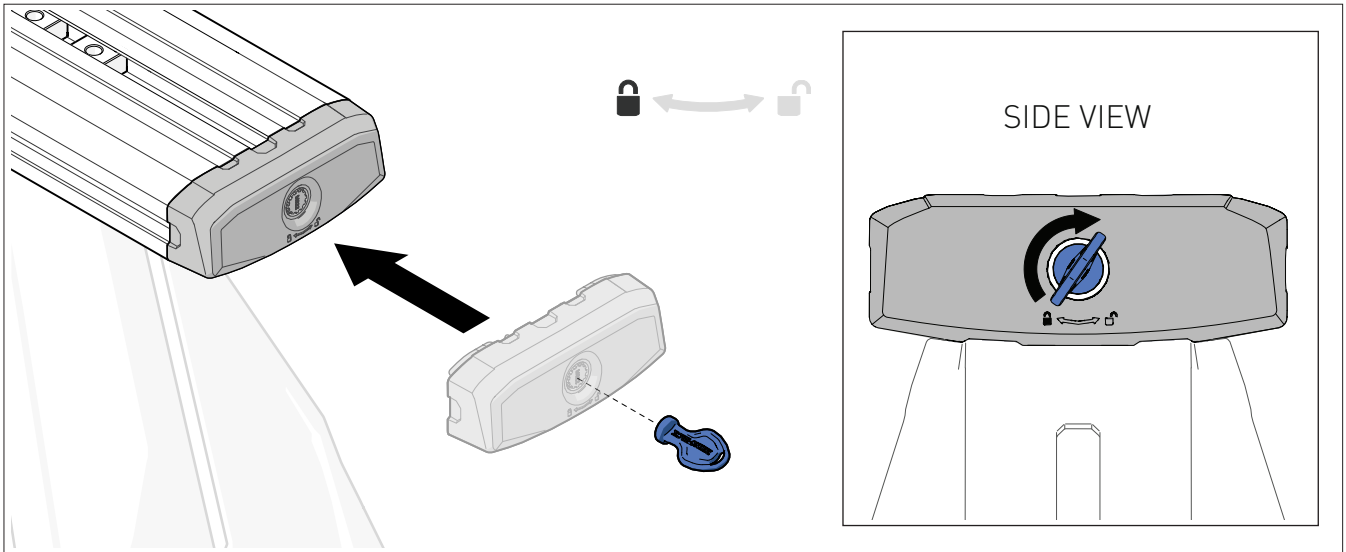


NOTE: Two channel nuts per bracket

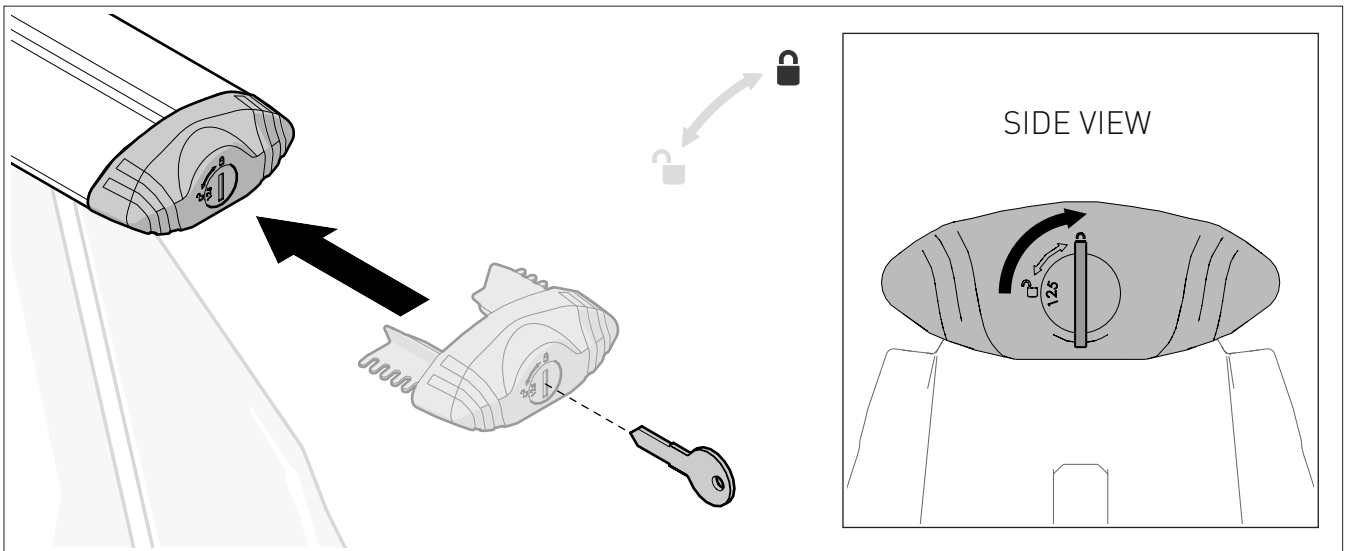




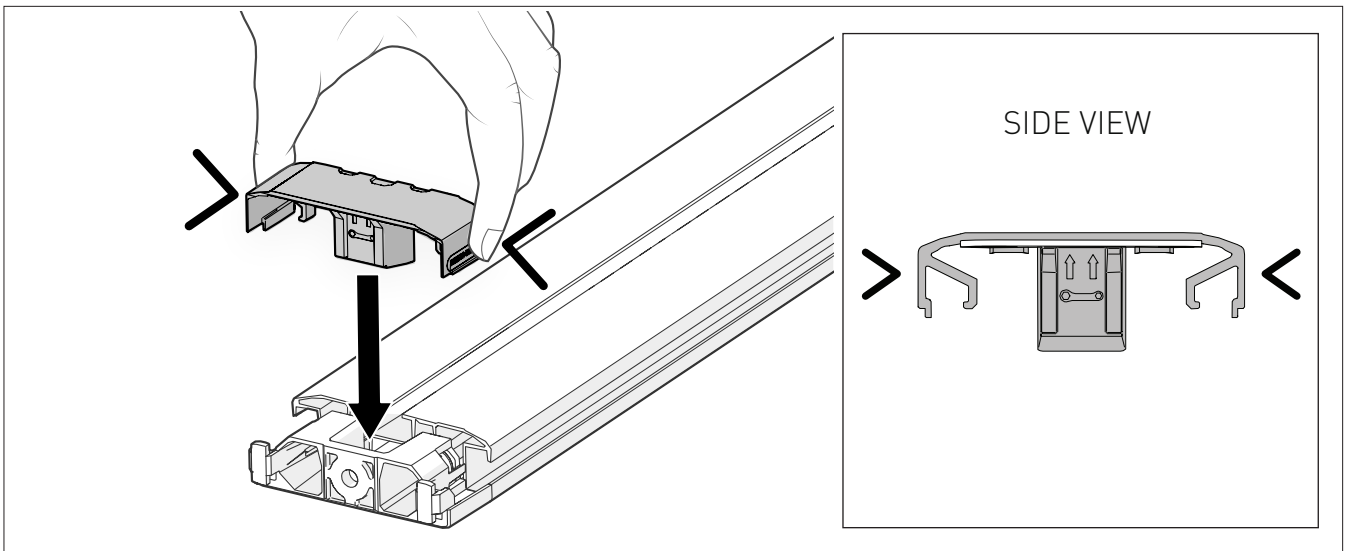
**7 RECONN-DECK BARS**



**VORTEX BARS**

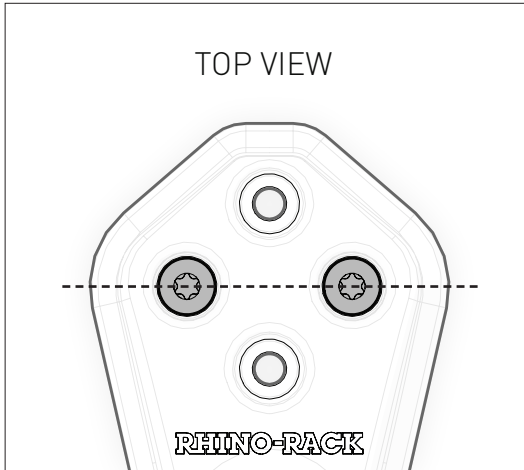


**RECONN-DECK NS BARS**

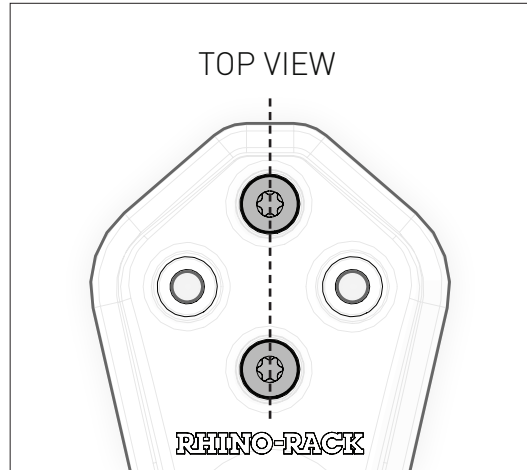


- 8 Position channel nuts 35mm apart (from centres) and finger tighten the bracket base **A** on top with **C** screws.

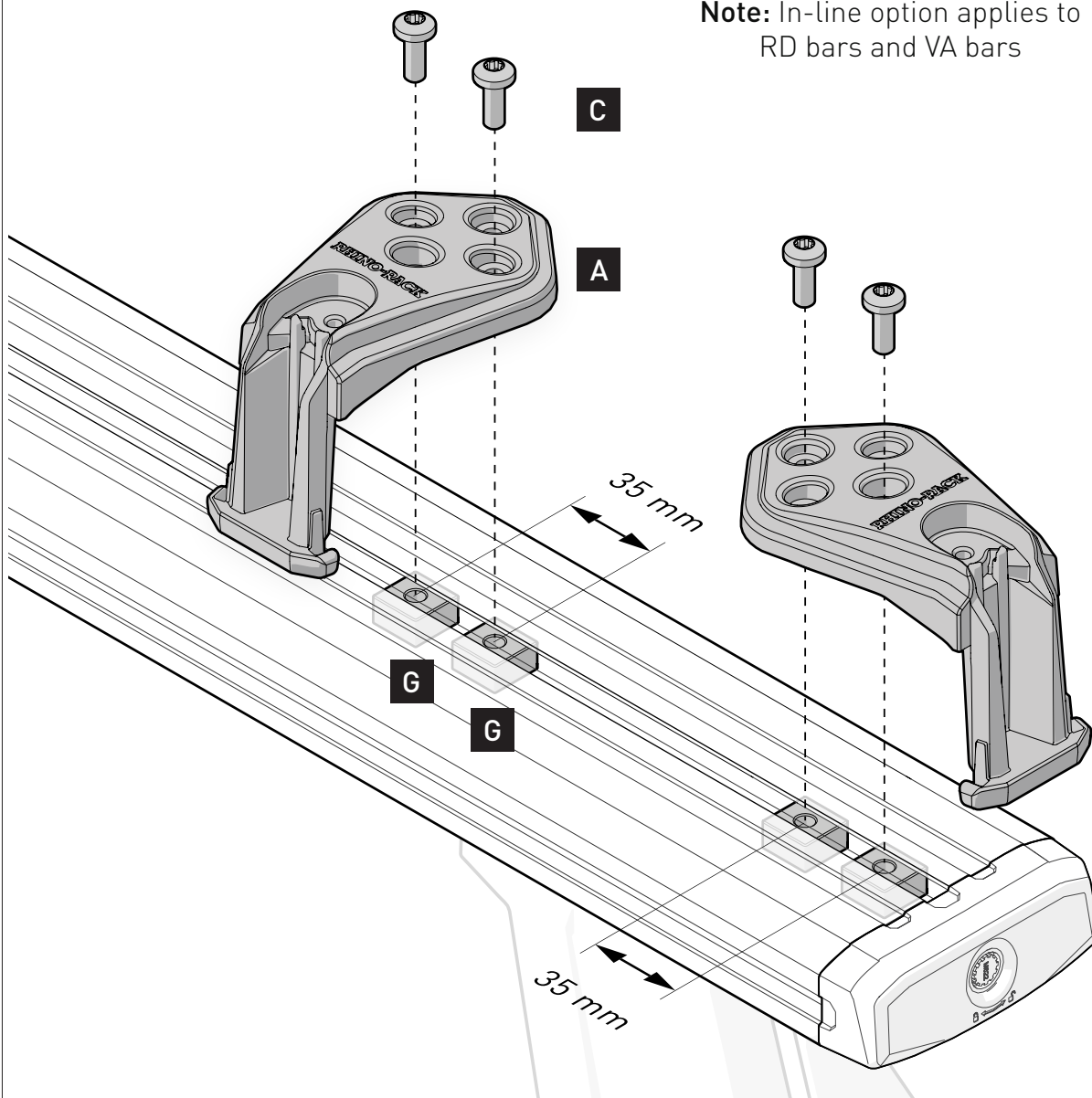
TRANSVERSE POSITION



IN-LINE POSITION

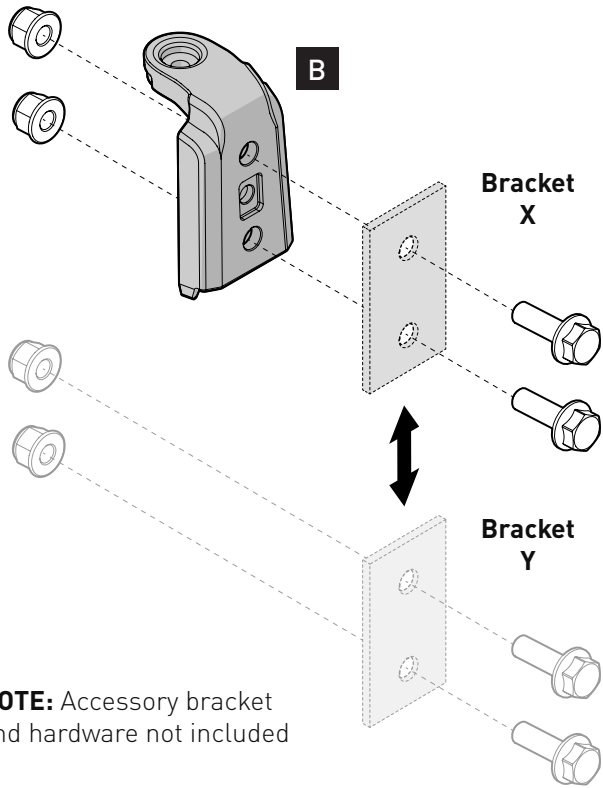


Note: In-line option applies to RD bars and VA bars

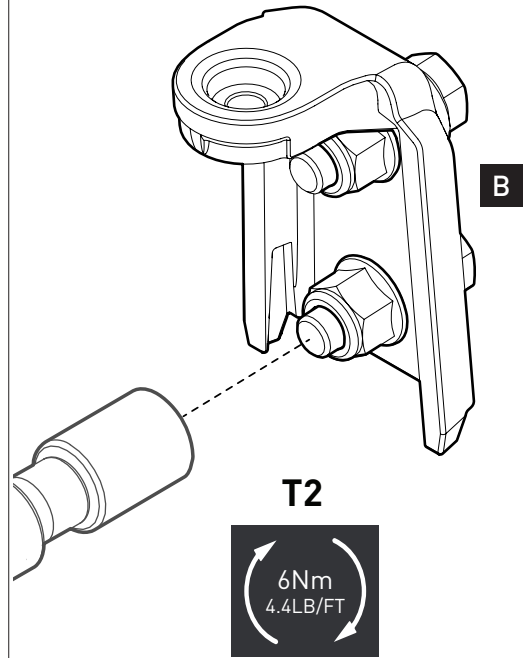


# Instructions

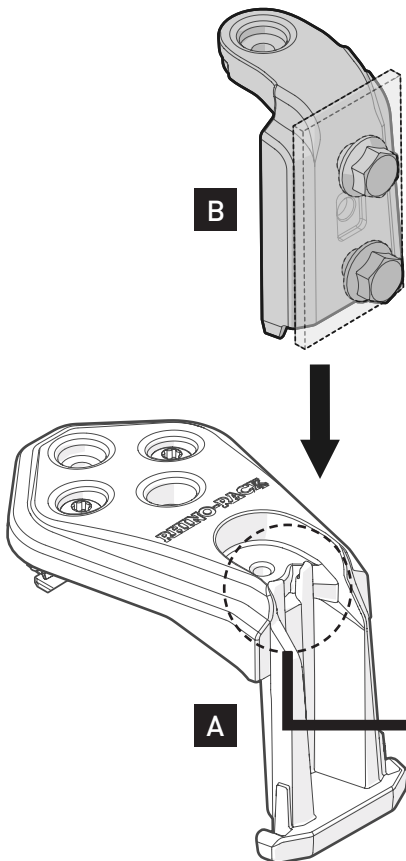
**9a** Attach accessory bracket onto the Universal Adaptor with bracket hardware and tighten.



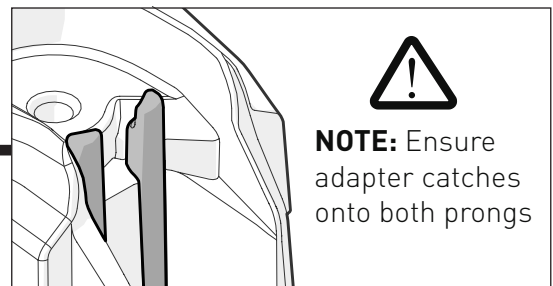
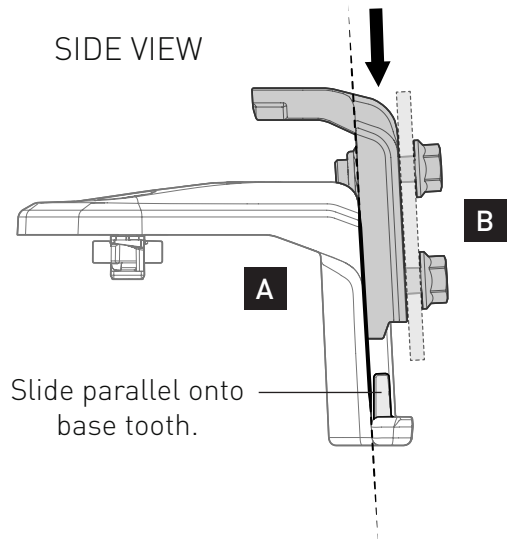
**9b**



**10**



SIDE VIEW



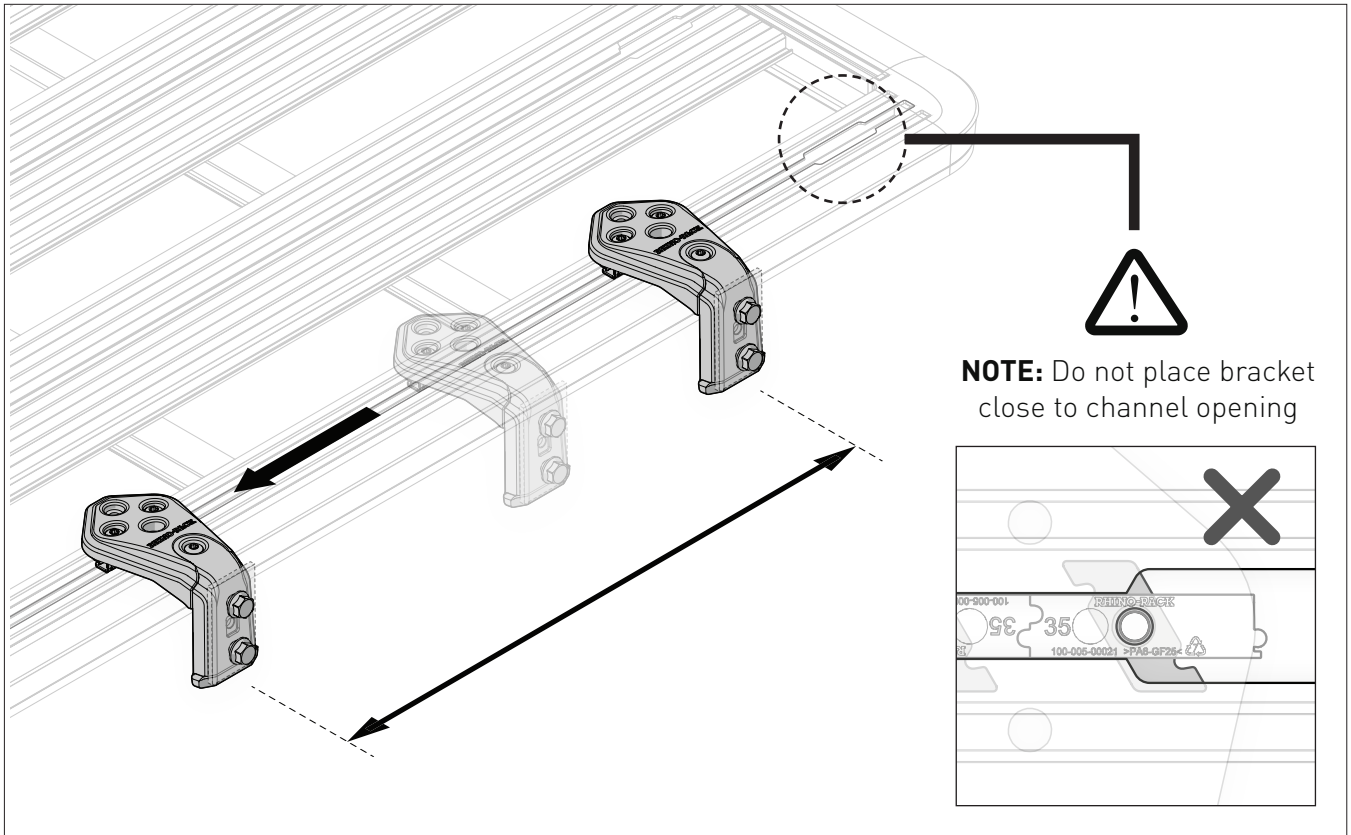
# Instructions

**11** Repeat Steps **1** to **11** for additional brackets as required.

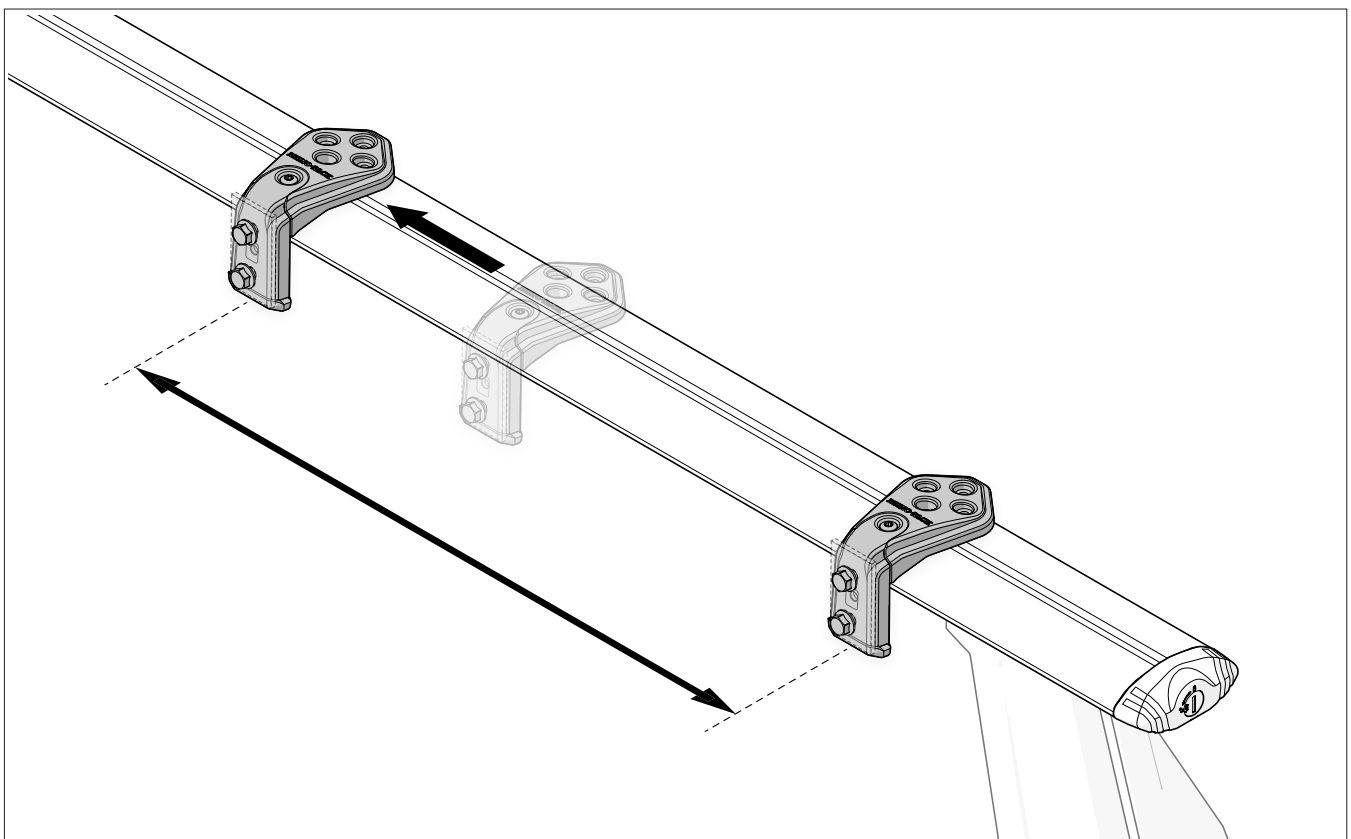


12 Slide brackets along roof rack system to suit accessory dimensions.

### PIONEER PLATFORMS

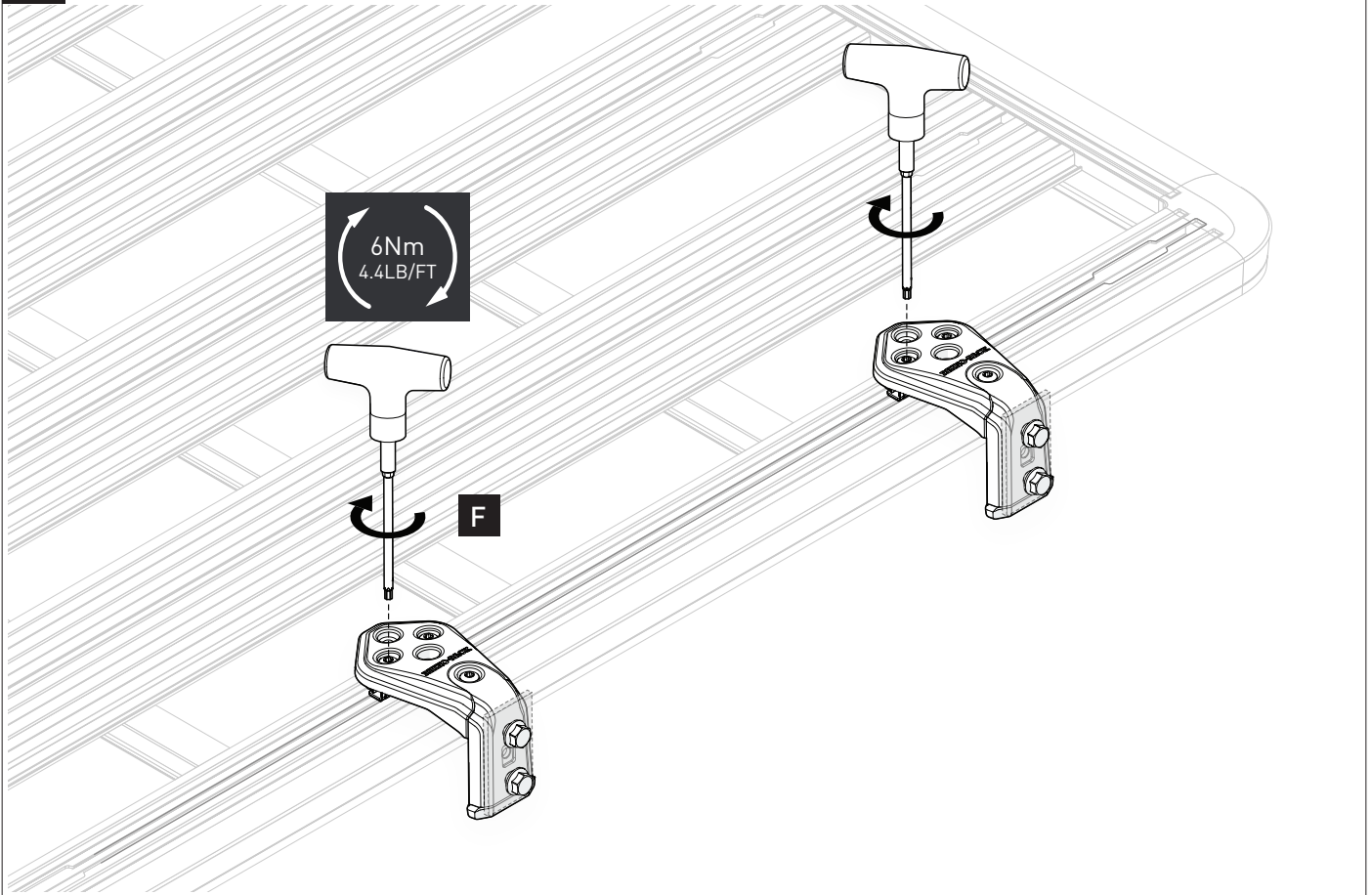


### CROSSBARS (Transverse Placement)



## Instructions

- 13** Once adjusted to preference, tighten **C** screws.



### ADDITIONAL STEP FOR VA BARS

- 14** Trim VA rubber strips to size and place around each base bracket.

