



RHINO-RACK®

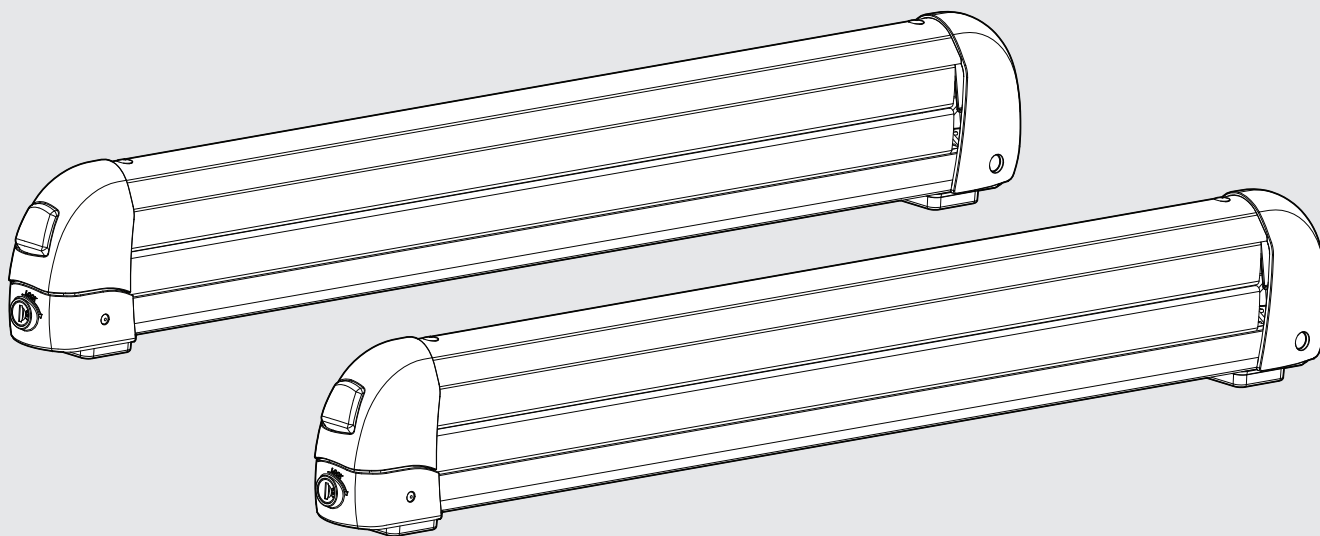
Ski / Snowboard Carrier

572, 573, 574, 576

Important:

1. Check the Rhino-Rack website to ensure you have the latest issue of these instructions.
2. Please refer to your fitting instruction to ensure that the accessory is installed in the correctly.
3. Check the contents of kit before commencing fitment and report any discrepancies.
4. Place these instructions in the vehicle's glove box after installation is complete.
5. These instructions must be followed for warranty to be upheld.

Fit Time: 10 mins



Carrying Capacity

Check the vehicle owners hand book for your vehicle manufacturer’s maximum carrying capacity.
 Do not exceed the vehicle manufacturer’s maximum roof carrying capacity.
 The weight of the roof racks, accessories, and ski gear must be included in the total vehicle roof load.

Maximum Load Capacity evenly distributed inside ski carriers:

572	2 Pair Skis	12kg / 26lbs
573	3 Pair Skis / 2 Snowboards	18kg / 39lbs
574	4 Pair Skis / 2 Snowboards	24kg / 53lbs
576	6 Pair Skis / 4 Snowboards	36kg / 79lbs

Warning

- Do not attempt to fit the accessory to your vehicle unless you fully understand these fitting instructions. Please direct any questions regarding fitting to the dealer from where the product was purchased.
- Off-road conditions can be much more rigorous. Extreme care must be taken in off road conditions.
- Accessory must be removed when vehicle is put through an automatic car wash.
- Always ensure you fasten your load securely.

In service maintenance checks

- All bolted connections should be checked after driving a short distance when you first install your roof racks & accessories.
- All bolted connections should be checked again at regular intervals (every 1000k/621mi) is recommended, depending on road conditions, usage, loads and distances travelled). All bolted connections should be checked each time they are re-fitted.

Torque Settings:

Unless stated otherwise in these instructions, all fasteners should be set to the following torque settings:

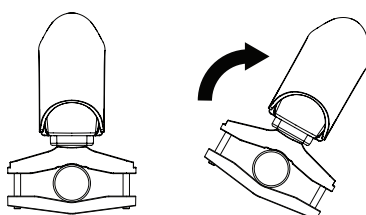


Sensitivity to Crosswinds, Behaviour in Curves and Braking.

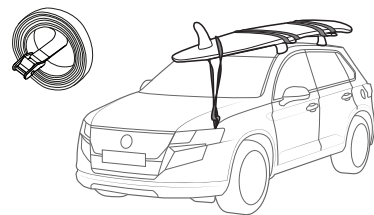
Remember that the handling characteristics of your vehicle will change when transporting a load on the roof.
 Exercise extreme care when transporting wind-resisting loads; special consideration must be taken into account when braking.

Note for Dealers and Fitters


It is your responsibility to ensure these fitting instructions are given to the end user or client. These instructions remain the property of Rhino-Rack Australia Pty. Ltd. and may not be used or changed for any other purpose than intended.




NOTE:
 In strong winds, Ski Carriers may rotate if installed to round Yakima Crossbars. Remove Carriers when not in use.



Long flexible loads must be tied down to the bonnet.
 Use only **non-stretch** fastening ropes or straps to attach cargo to roof racks.

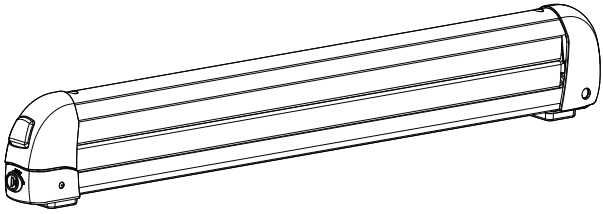
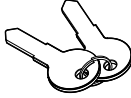




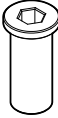
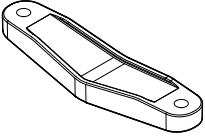
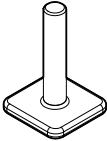




X
 Ski / Snowboard Carriers are not recommended for off-road use.



X
 Racks and accessories must be removed when vehicle is put through an automatic car wash.


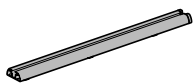
Parts List

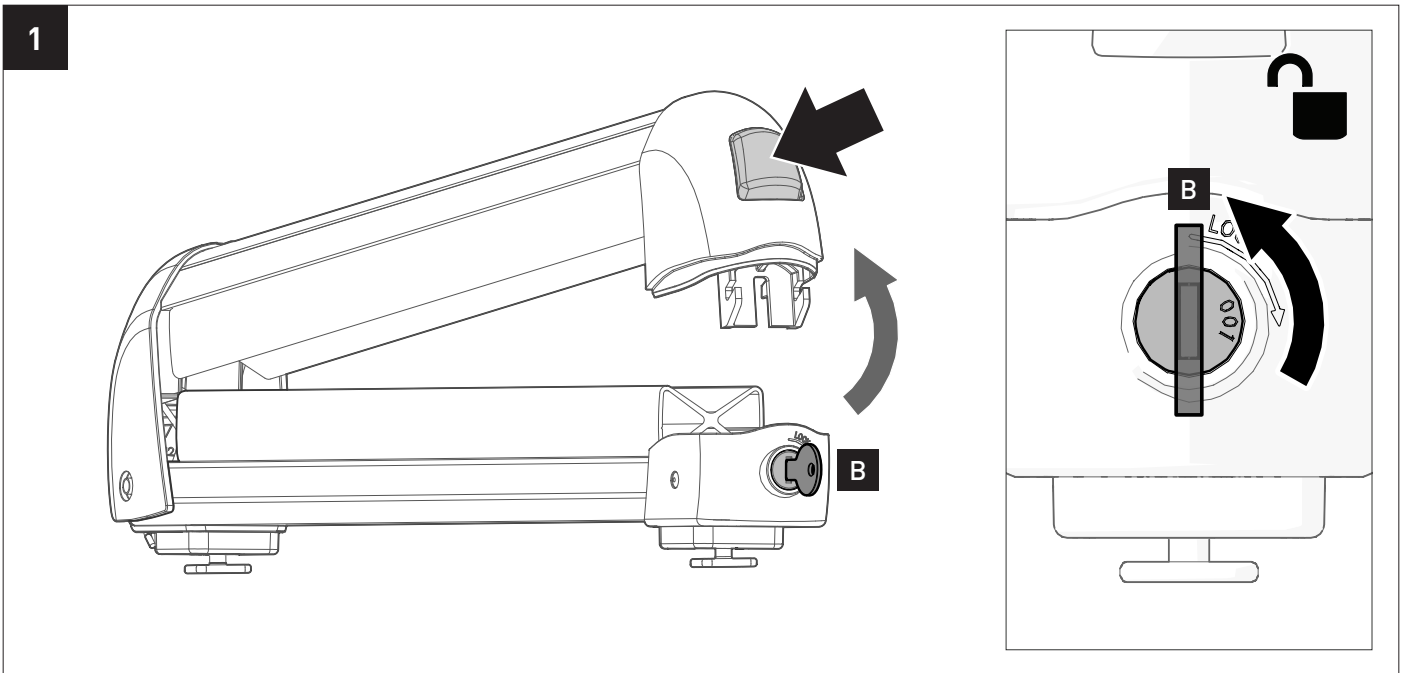
<p>Ski Carrier</p>  <p>A x2</p>	<p>Keys</p>  <p>B x2</p>	<p>M6 Spring Washer</p>  <p>C x4</p>	
<p>M6 Flat Washer Black</p>  <p>F x8</p>	<p>M6 Flat Washer Silver</p>  <p>G x4</p>	<p>M6 Nut</p>  <p>H x8</p>	<p>M6 Tube Nut</p>  <p>I x4</p>
<p>Lower Clamp</p>  <p>J x4</p>	<p>M6 x 30mm T-Bolt</p>  <p>K x4</p>	<p>5mm Allen Key</p>  <p>L x1</p>	<p>Instruction</p>  <p>M x1</p>

TOOLS REQUIRED:

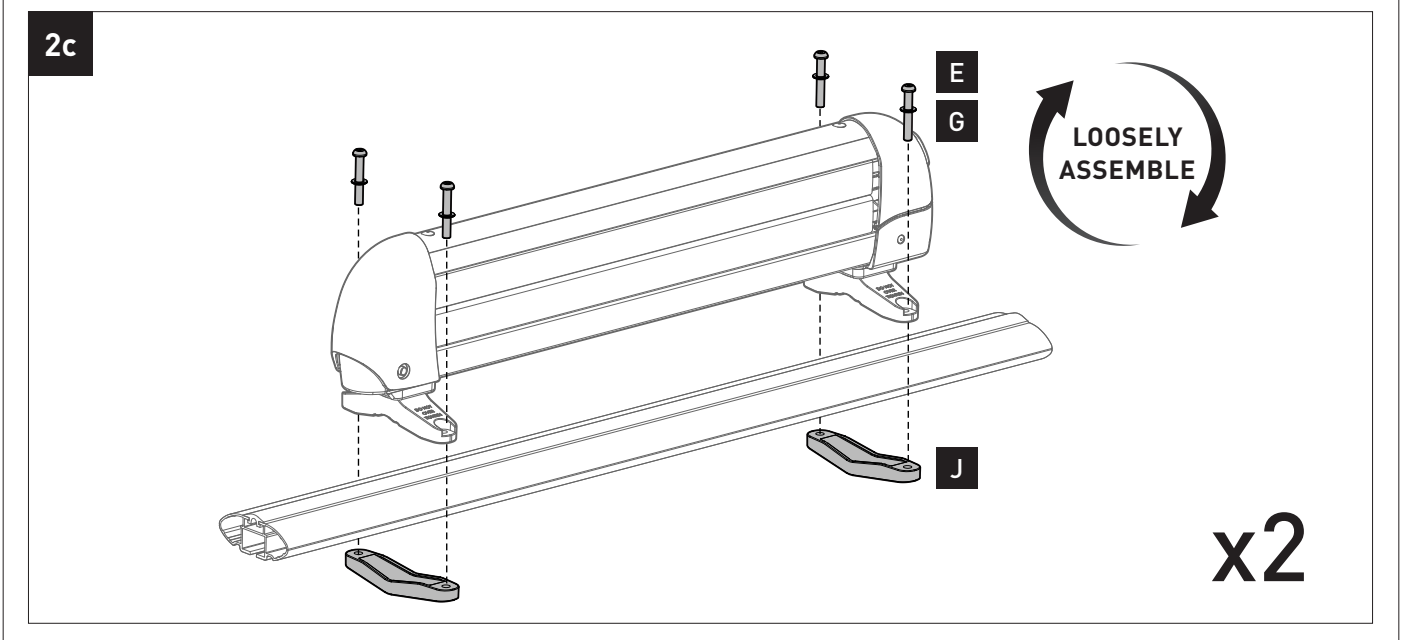
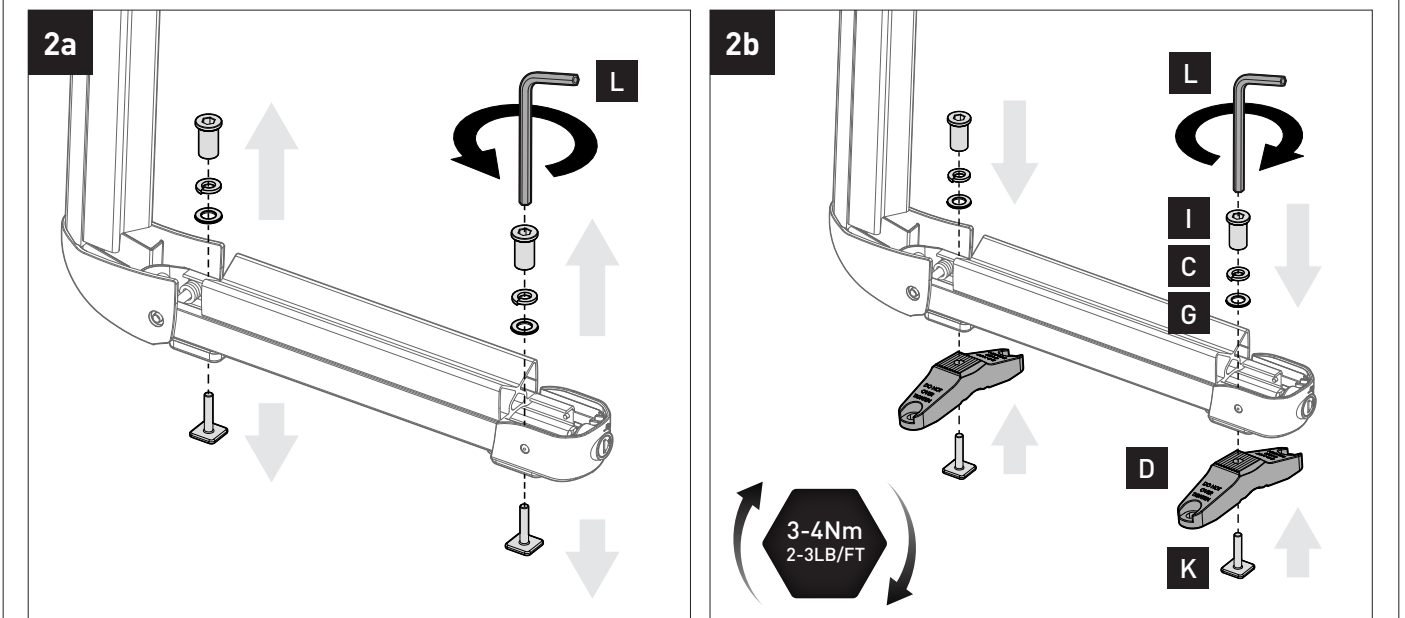
T1 - Tape Measure

Additional Components

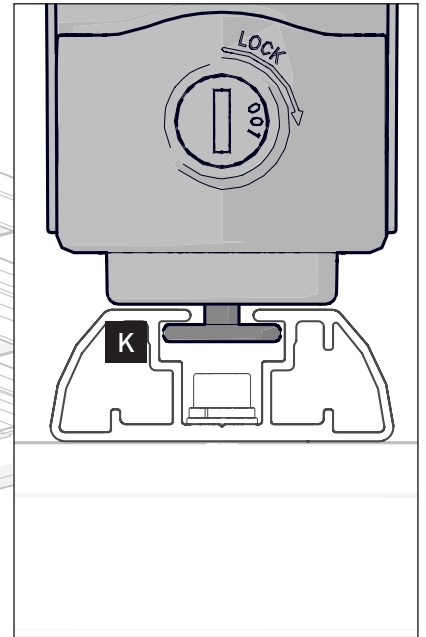
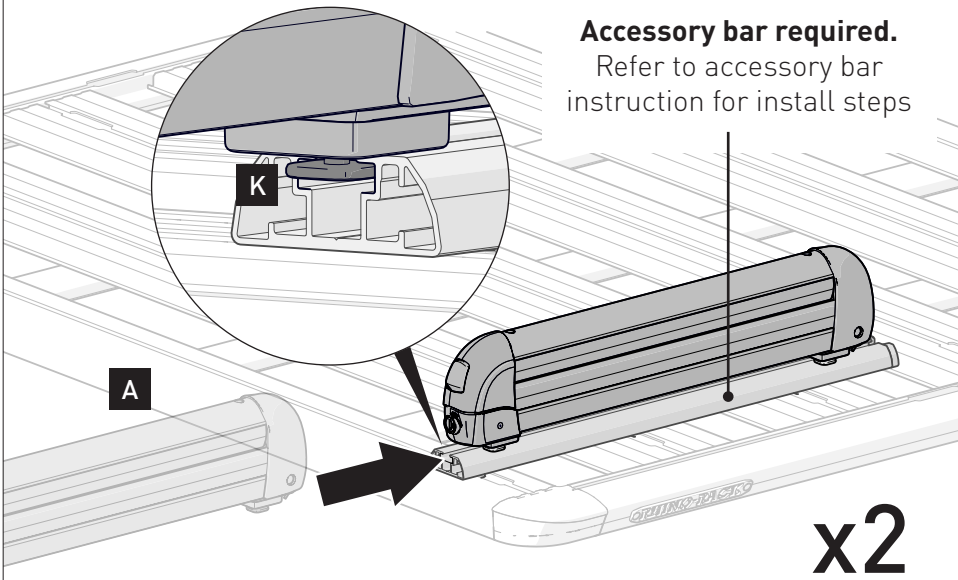
	<p>ACCESSORY BAR REQUIRED [Sold separately]</p>	
<p>FOR PLATFORM:</p>		<p>REFER TO SIZE-SPECIFIC INSTRUCTION</p>



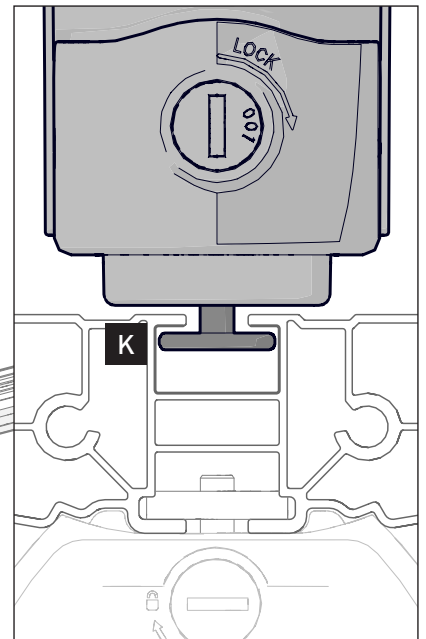
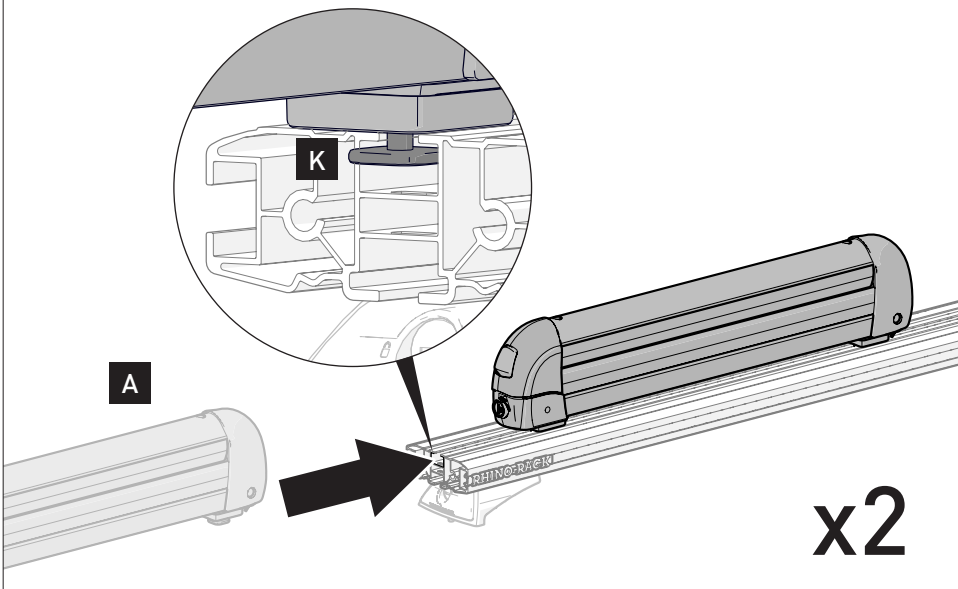
2 For VA BARS - For Pioneer or Reconn-deck installation see Step **3**



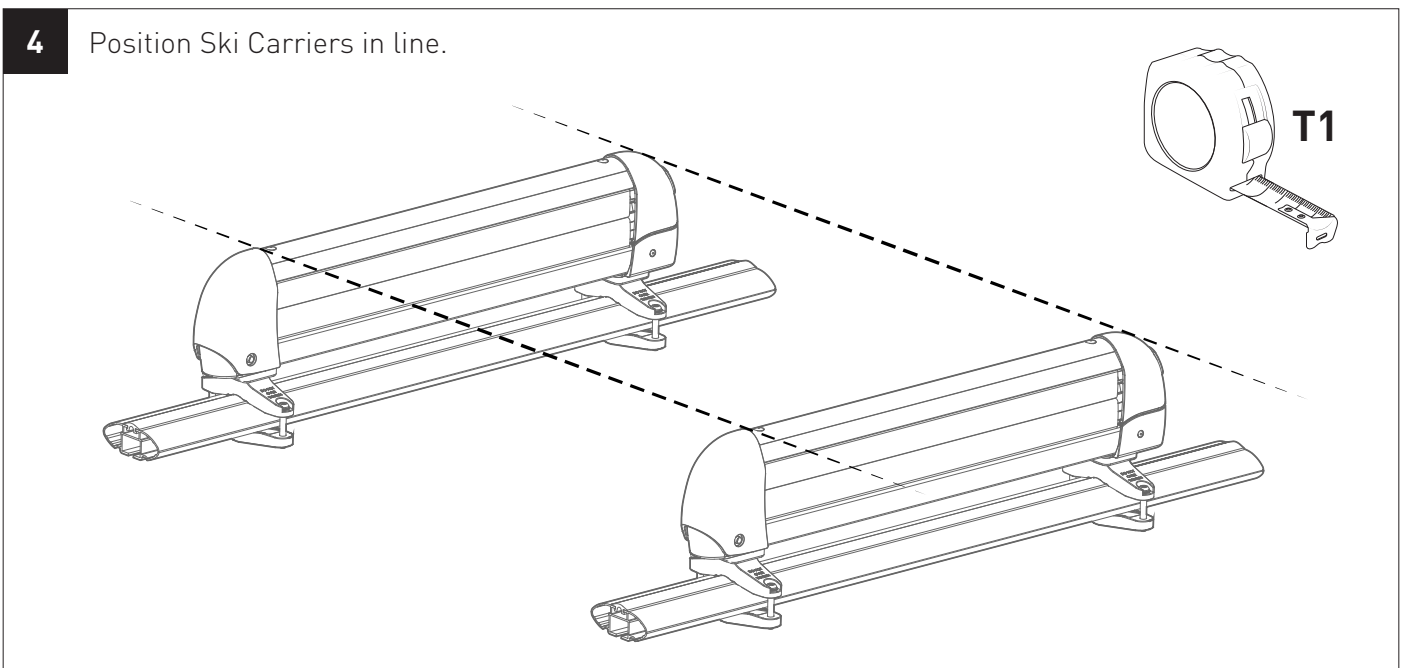
3 PIONEER



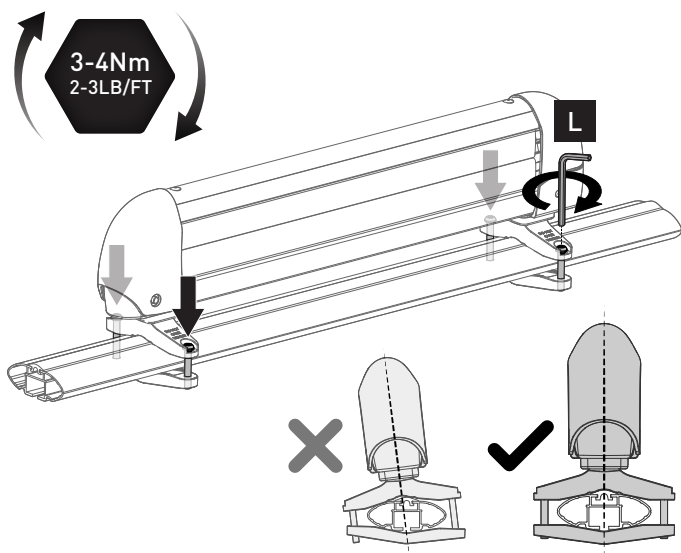
RECONN-DECK BARS



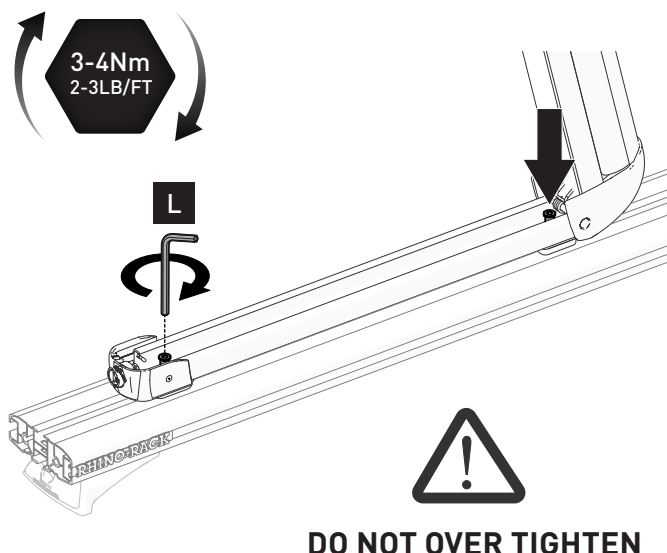
4 Position Ski Carriers in line.



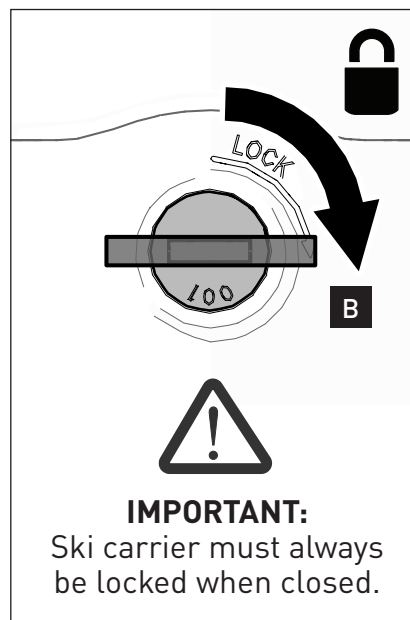
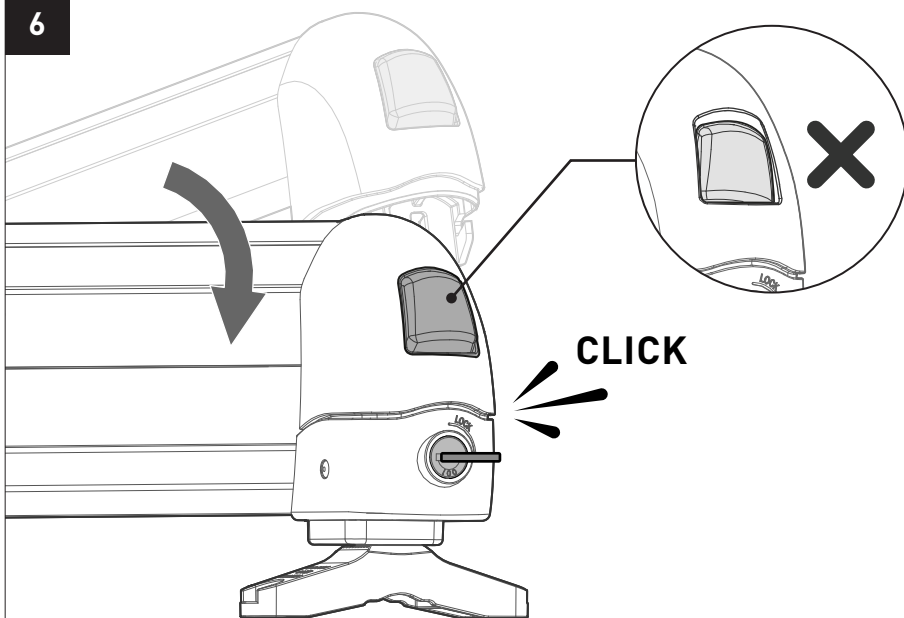
5 VA BARS



PIONEER / RECONN-DECK BARS



6



7 Ski carriers **must be locked**  when transporting skis.

