



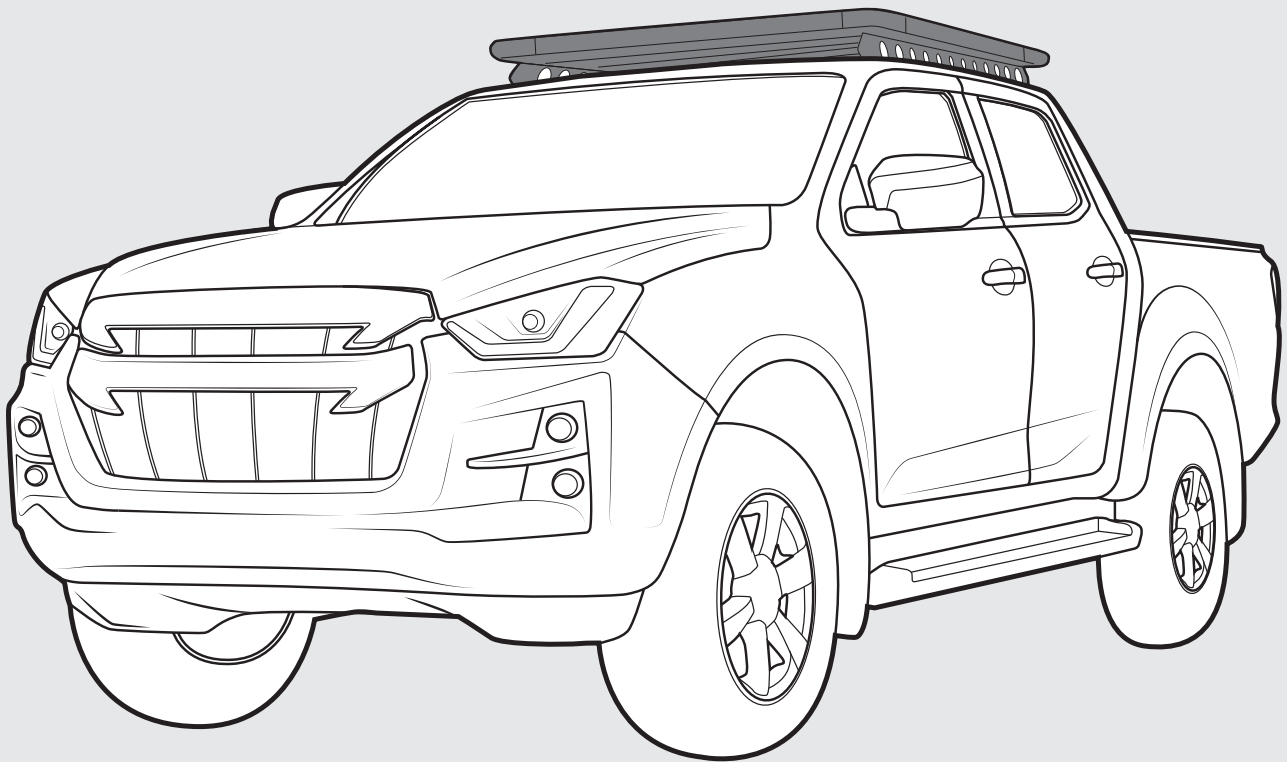
RHINO-RACK®

Isuzu D-Max (incl. X-Terrain) Gen 3 / Mazda BT-50 Gen 3 Backbone - RIDB2

Important:

1. Check the Rhino-Rack website to ensure you have the latest issue of these instructions.
2. Please refer to your fitting instruction to ensure that the roof racks are installed in the correct locations.
3. Check the contents of kit before commencing fitment and report any discrepancies.
4. Place these instructions in the vehicle's glove box after installation is complete.
5. These instructions must be followed for warranty to be upheld.

Fit Time: 1 hour



Rhino-Rack

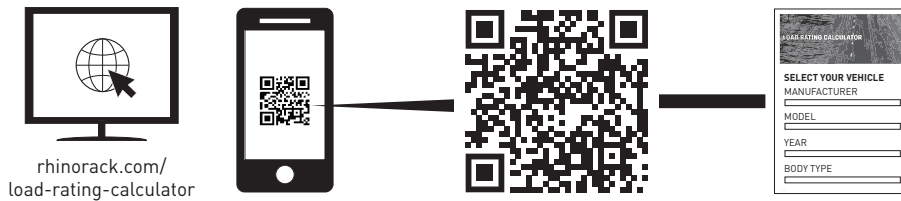
22A Hanson Pl, Eastern Creek
NSW 2766, Australia
(02) 8846 1900
rhinorack.com

Document No: R2738
Issue No: 01
Issue Date: 27/04/2021

RIDB2 Backbone Instructions

Carrying Capacity

Check the website and the vehicle owners hand book for your vehicle manufacturer's maximum carrying capacity. Load must be evenly distributed over the system.



Cargo Load Limit

Total permissible weight allowed on top, and attached to roof racks whilst the vehicle is in motion.



System Weight

Total weight of the roof rack system. (Crossbars, Backbone, Platform)



Max System Load Capacity

Please ensure you use the vehicle manufacturer's maximum roof allowance if it is lower than the figure listed in the fitting chart.



Vehicle Manufacturer's Load Limit

Total permissible weight attached to the roof of the car. This is inclusive of the weight of the roof rack system.

Warning

- Check part number or kit is correct for use with your vehicle.
- Do not attempt to fit the rack system to your vehicle unless you fully understand these fitting instructions. Please direct any questions regarding fitting to the dealer from where the roof racks were purchased.
- Off-road conditions can be much more rigorous. Extreme care must be taken on any driven path that does not contain a surface protection layer (tar/bitumen).
- Roof racks must be removed when vehicle is put through an automatic car wash.
- With utility vehicles, the cabin and the canopy move independently. Roof racks and vehicle can be damaged if the item transported is rigidly fixed at points on both the cabin and canopy. Instead, rigidly fix to either the cabin roof racks or the canopy roof racks.
- Always ensure you fasten your load securely.
- Use only non-stretch fastening ropes or straps to attach cargo to your load.

In service maintenance checks

- All bolt connections should be checked after driving a short distance when you first install your roof racks.
- All bolted connections should be checked again at regular intervals (weekly is recommended, depending on road conditions, usage, loads and distances travelled).
- All bolted connections should be checked each time they are re-fitted.
- Off-road conditions are more rigorous. Check all bolted connections and your load more regularly.
- Ensure that your vehicle manufacturer's GVM, and gross axle weights are not exceeded (refer to vehicle owner's manual).

Torque Settings

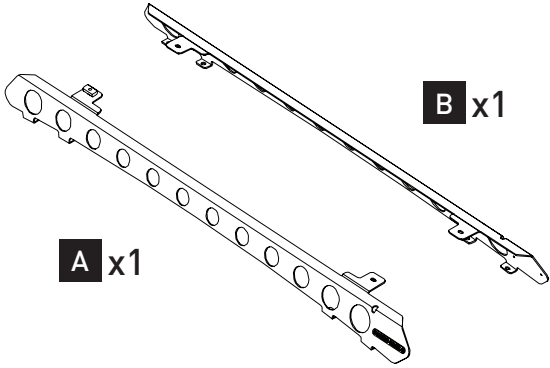



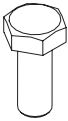



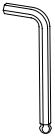
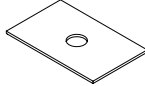
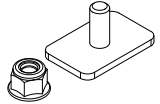
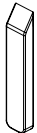
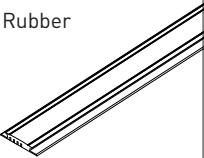

Unless stated otherwise in these instructions, all fasteners should be set to the following torque settings:

- M6: 4-5Nm (3-4lbs/ft),
- M8: 8-10Nm (6-7.5lbs/ft)
- M10: 16-18Nm (12-13lbs/ft).

Note for Dealers and Fitters

It is your responsibility to ensure these fitting instructions are given to the end user or client. These instructions remain the property of Rhino-Rack Australia Pty. Ltd. and may not be used or changed for any other purpose than intended.

Parts List

		<p>M8 x 20mm Button HD Cap Screw</p>  <p>C x8</p>	
		<p>M8 Spring Washer S/S</p>  <p>D x8</p>	
<p>M8 x 17mm Flat Washer S/S</p>  <p>E x8</p>	<p>M8 X 20 Hex Set Screw S/S Black</p>  <p>F x4</p>	<p>M8 Spring Washer S/S Black</p>  <p>G x4</p>	<p>M8 x 24 x 2 Flat Washer S/S Black</p>  <p>H x4</p>
<p>M8 Channel Nut Black</p>  <p>I x4</p>	<p>5mm Ball End Allen Key</p>  <p>J x1</p>	<p>Butyl Patch</p>  <p>K x8</p>	<p>Pioneer NG to Backbone Kit</p>  <p>L x4</p>
<p>Nylon Scraper</p>  <p>M x1</p>	<p>1.5M Ditch Rubber</p>  <p>N x2</p>	<p>Instruction</p>  <p>O x1</p>	

Tools Required:

- T1 - Masking Tape
- T2 - Tape Measure
- T3 - Pencil/Marker
- T4 - Chisel
- T5 - Mallet
- T6 - Flat head Screwdriver
- T7 - Knife
- T8 - Cold Galvanising paint
- T9 - Small Paint Brush
- T10 - 13mm Socket Wrench
- T11 - Scissors
- T12 - 12mm Socket Wrench
- T13 - Cleaning rag

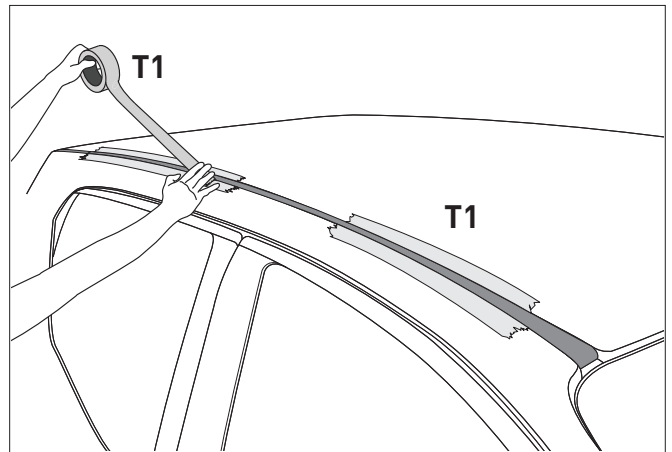
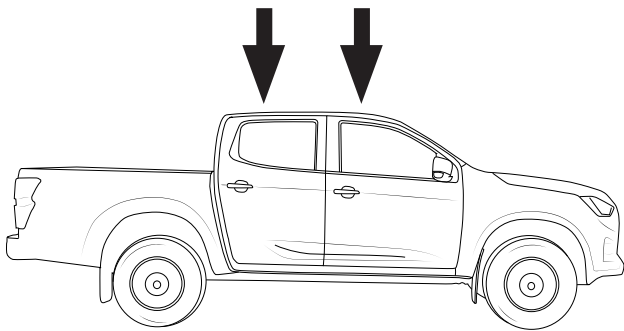
NOTES:

For BARE ROOF VARIANT skip Steps **16** - **26**

For ROOF RAIL (D-Max X-Terrain) VARIANT complete Step **1** only then move to Step **16**

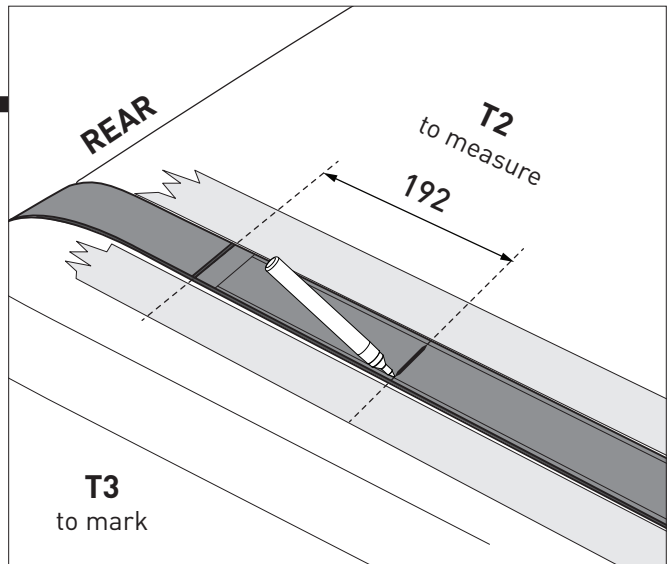
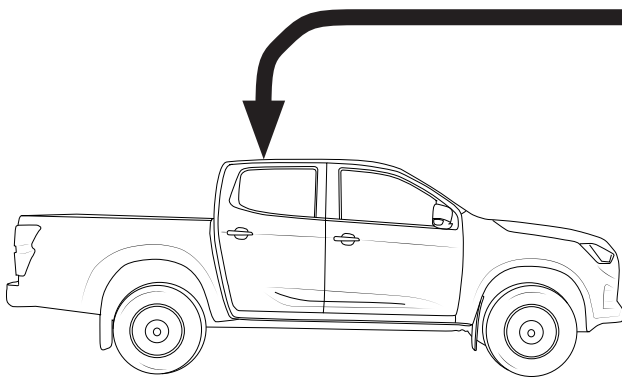
RIDB2 Backbone Instructions

1 Repeat to opposite side of vehicle

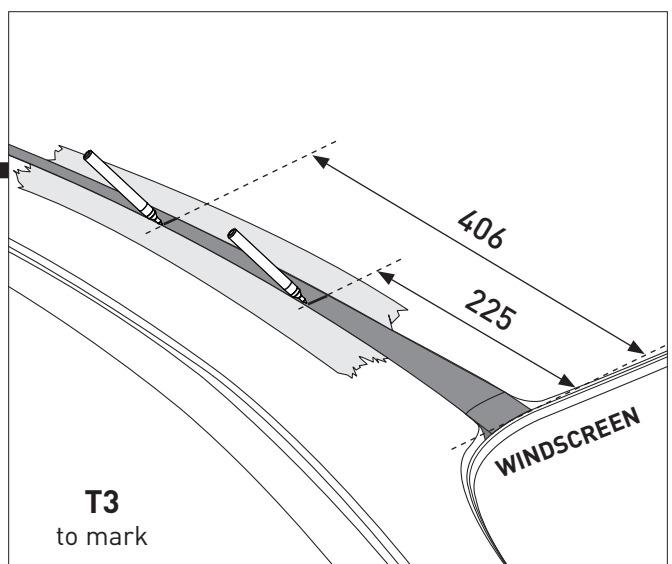
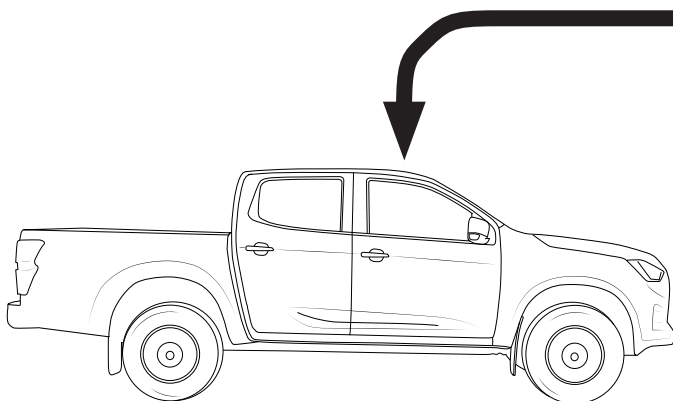


Note: For D-Max X-Terrain only, position tape next to the roof rail end caps, then move to Step **16**

2



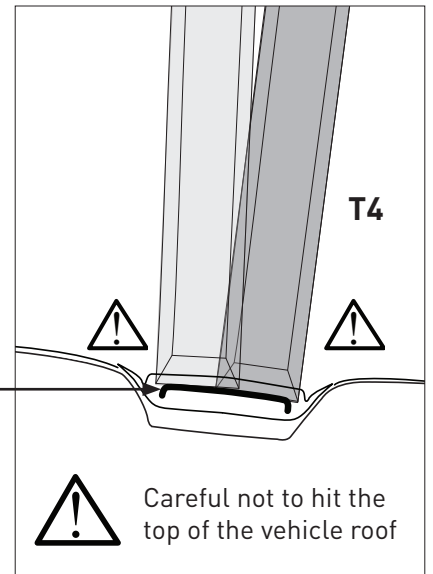
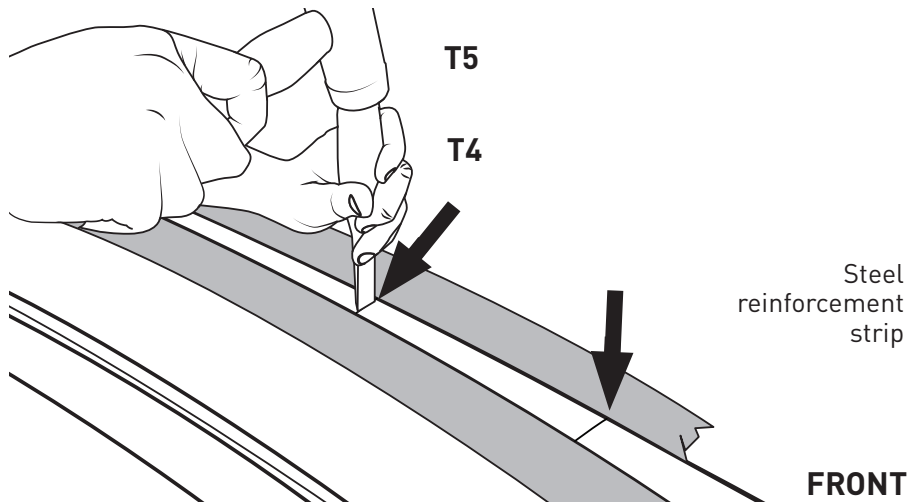
3



RIDB2 Backbone Instructions

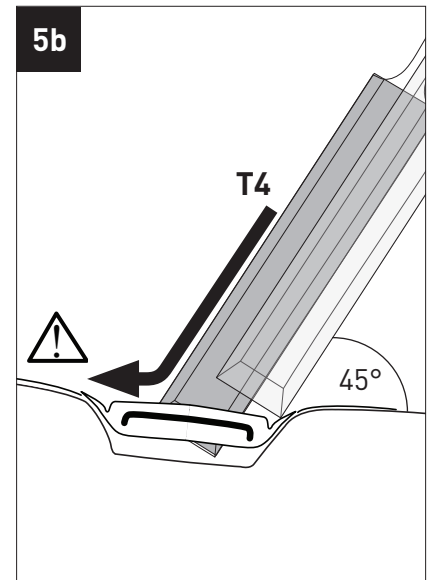
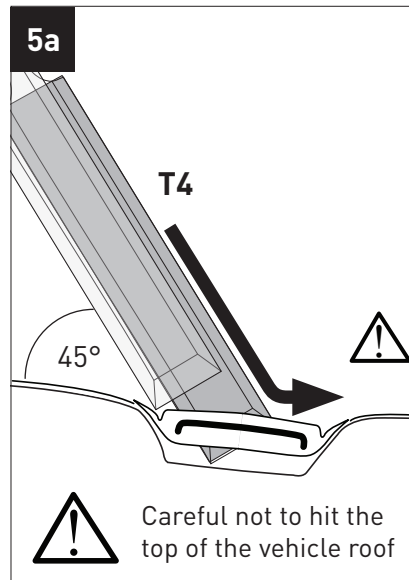
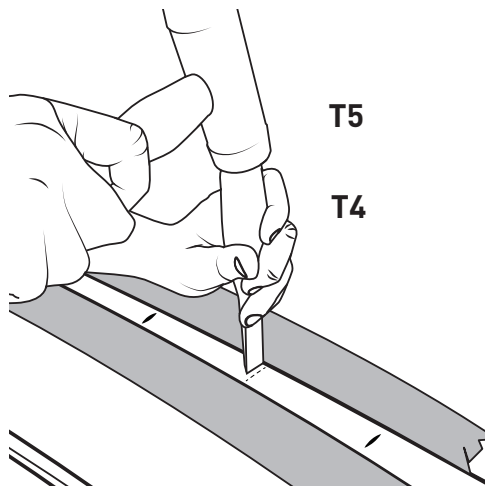
4

Firmly indent the two measured marks on the entire width of the ditch rubber steel reinforcement strip at the front of the vehicle.



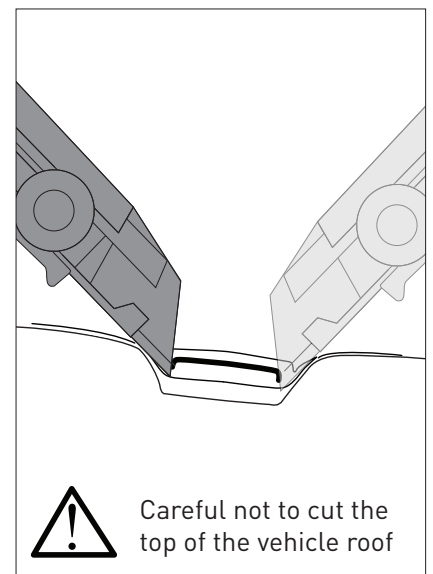
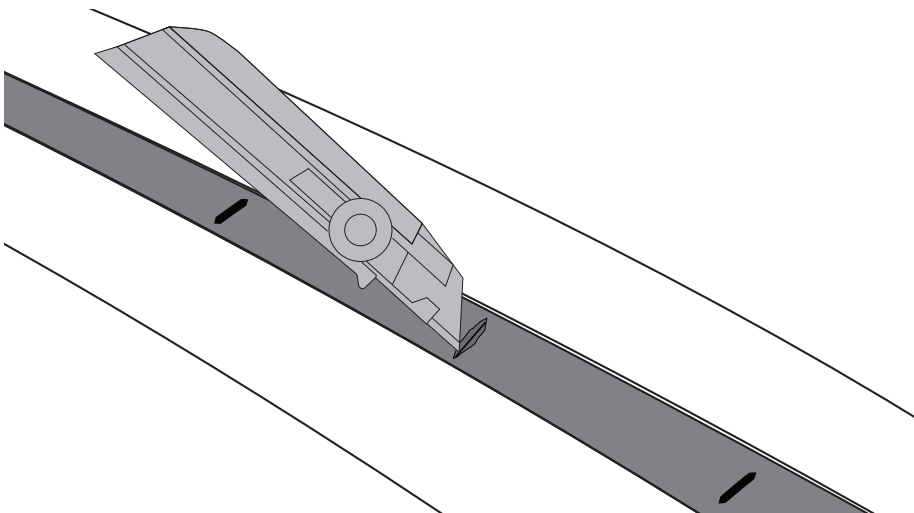
5

Break through the metal strip between the two measured marks made in step 4

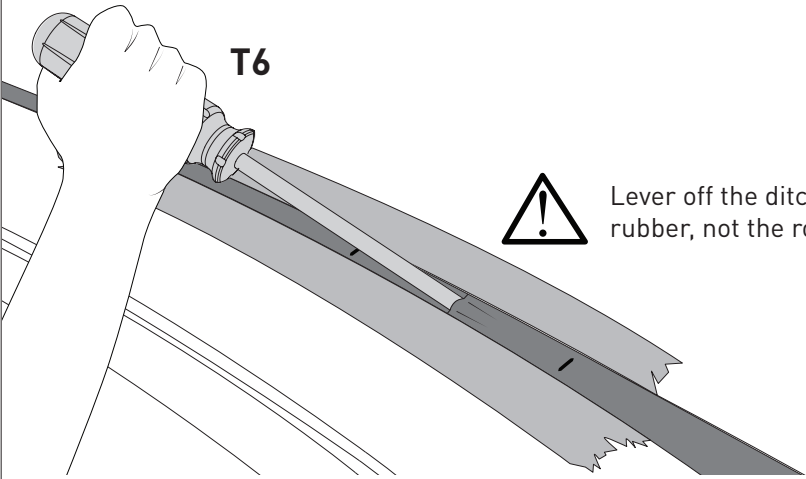


6

If necessary, use a knife to cut through any rubber remaining on either side of the metal strip.



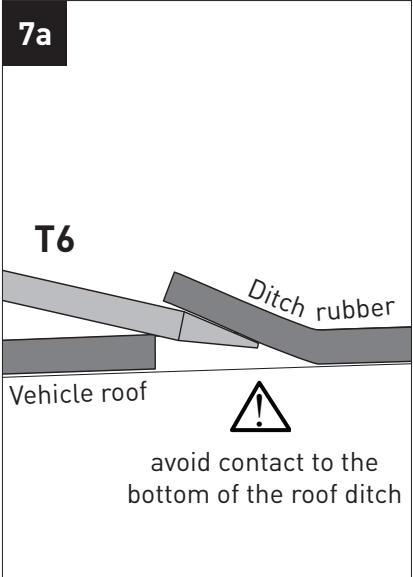
7 Wedge a flat head screwdriver underneath the cut in the ditch rubber and lift to separate



T6

! Lever off the ditch rubber, not the roof

7a



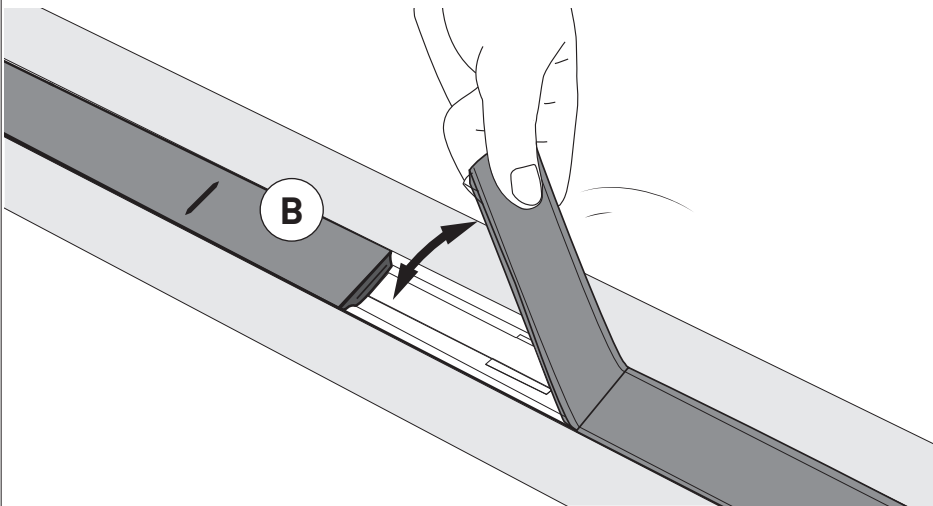
T6

Ditch rubber

Vehicle roof

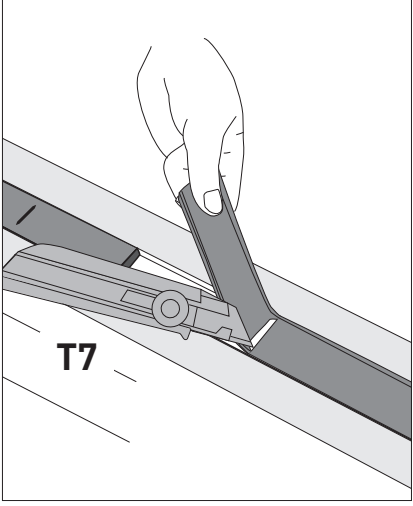
! avoid contact to the bottom of the roof ditch

8 Work the strip back & forth to snap off then cut through ditch rubber with a knife. Repeat to ditch rubber B.



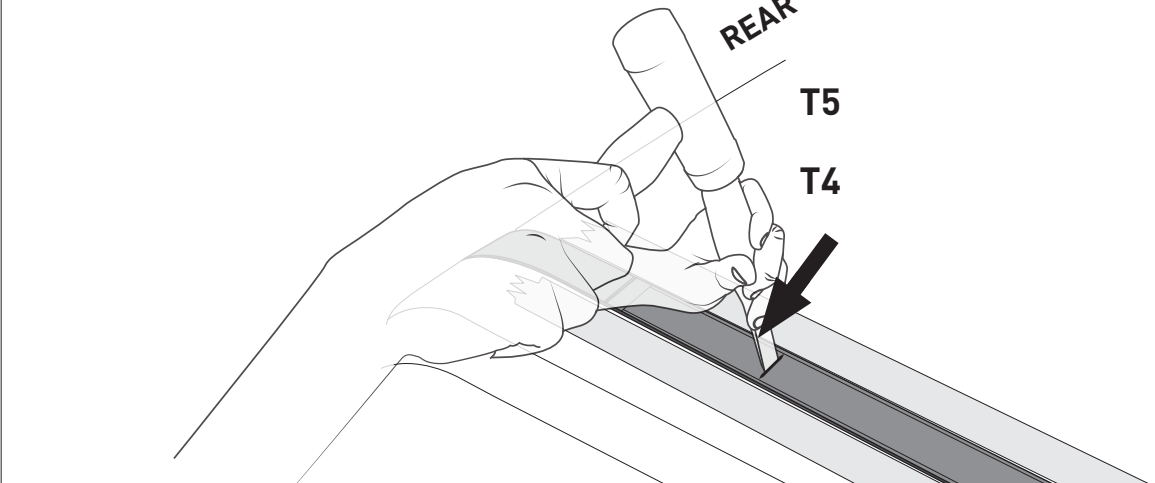
B

8a Trim any excess rubber.



T7

9 Firmly indent the measured mark on the entire width of the ditch rubber steel reinforcement strip at the rear of the vehicle.



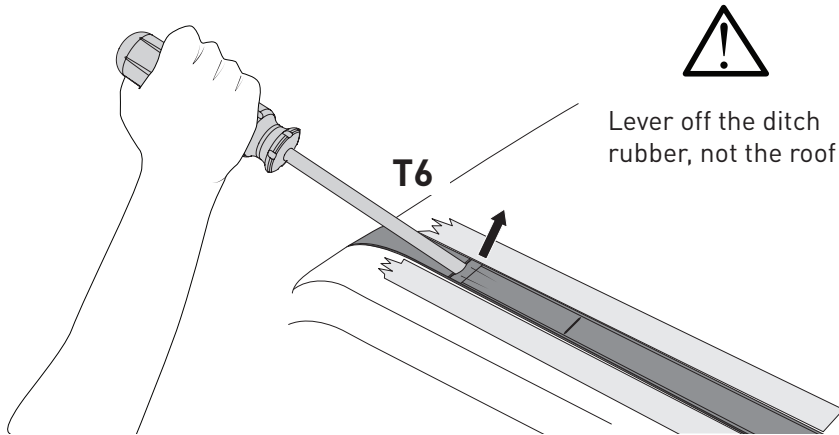
REAR

T5

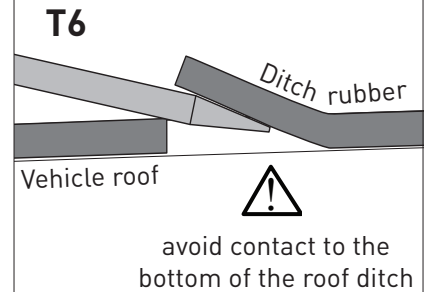
T4

10

Wedge a flat head screwdriver between the back edge of the ditch rubber and pry upwards to separate.

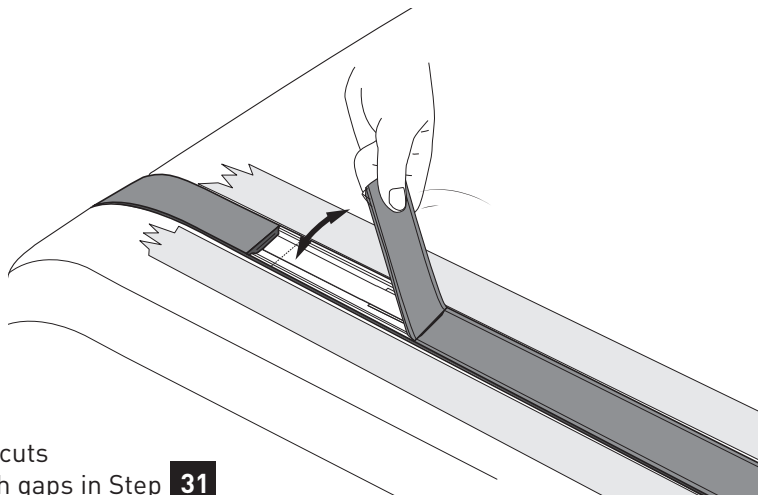


10a



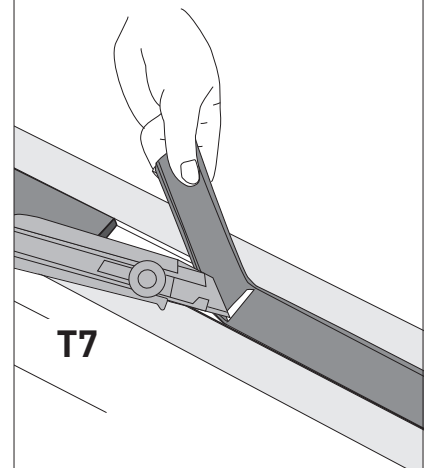
11

Work the strip back & forth to snap off then cut through ditch rubber with a knife.

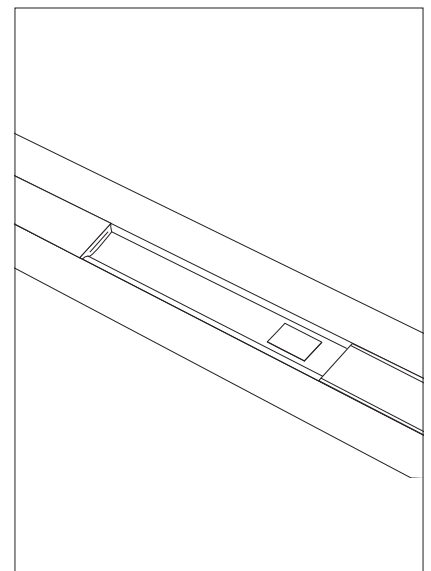
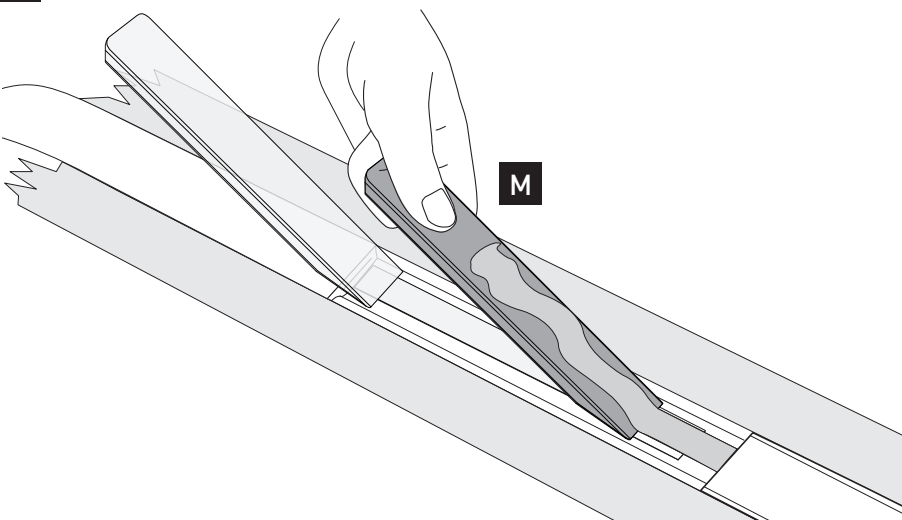


11a

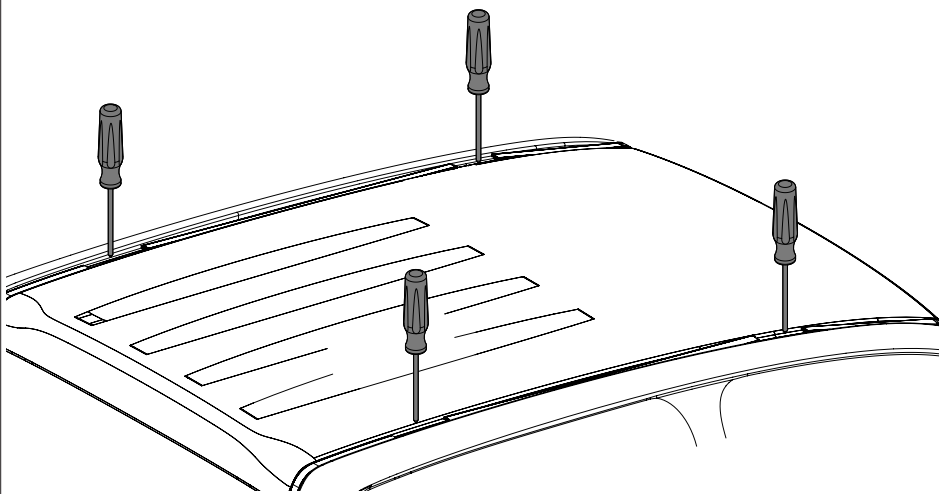
Trim any excess rubber.



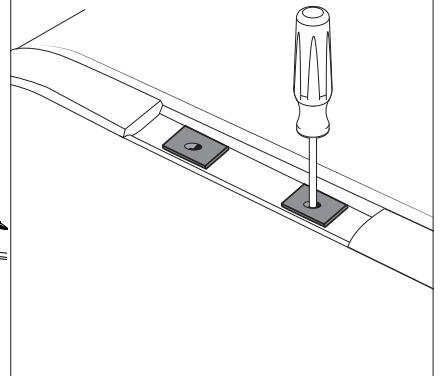
12



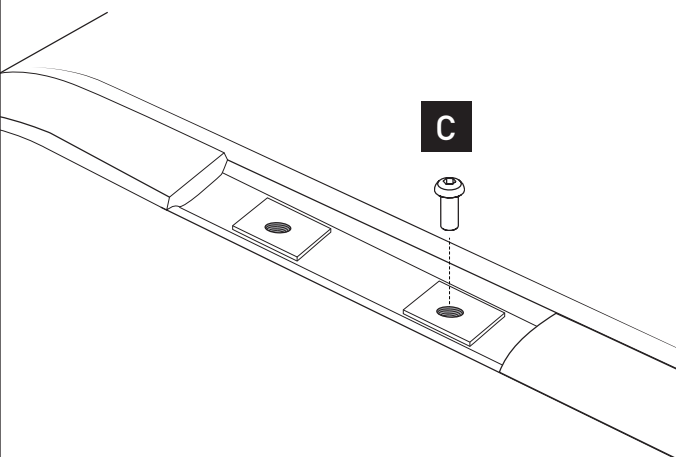
13



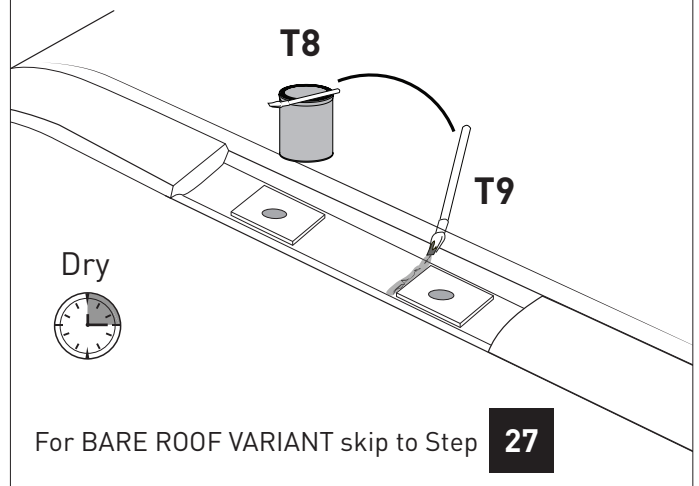
T6
to dig out centre of
factory butyl patch



14 Test exposed threads with M8 Screws.
Remove any material causing binding



15 Apply cold galvanising paint to any marks in the
vehicle paint from the chisel.
Repeat steps 11-13 to all four mounting locations.



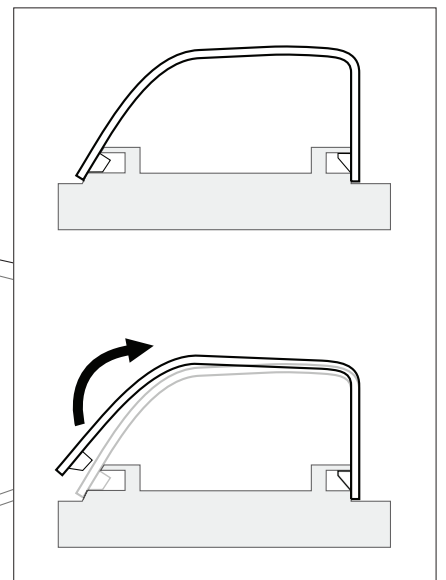
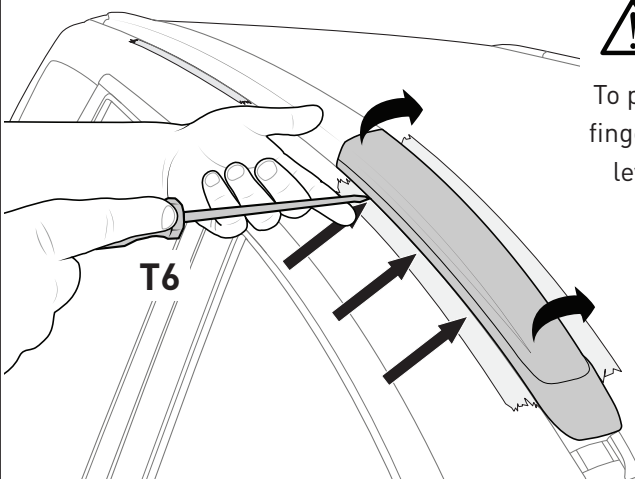
16 FOR ROOF RAIL (D-Max X-Terrain) VARIANT ONLY

Repeat for rear.



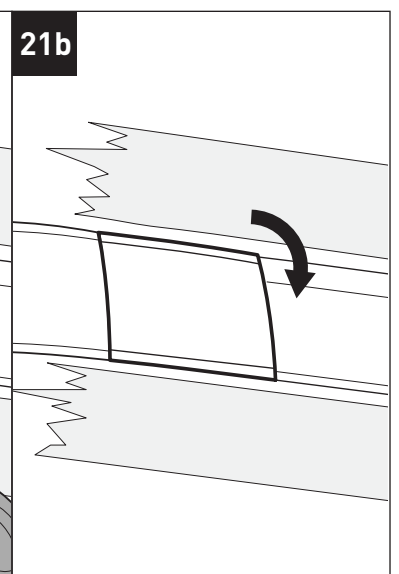
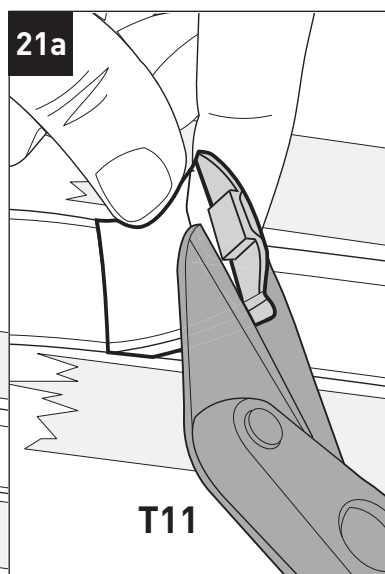
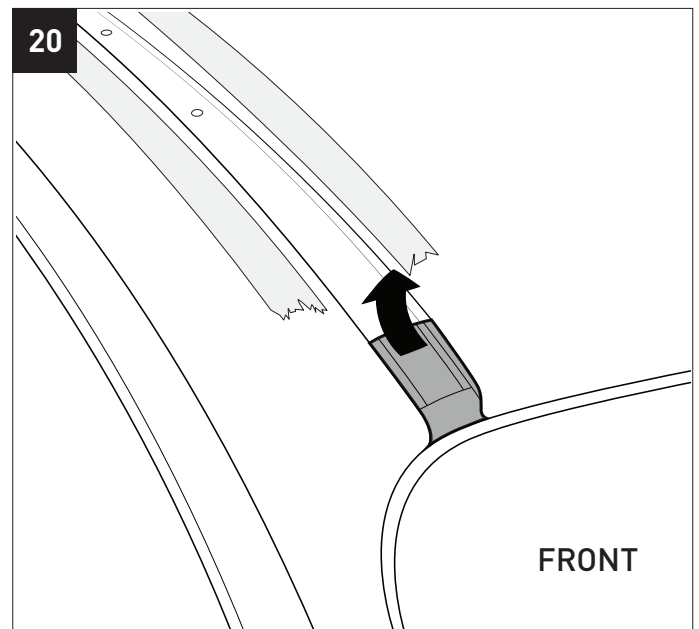
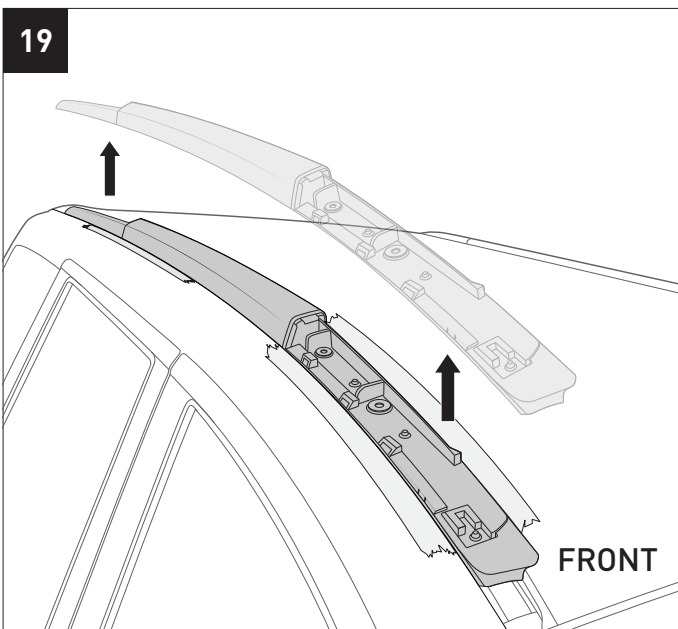
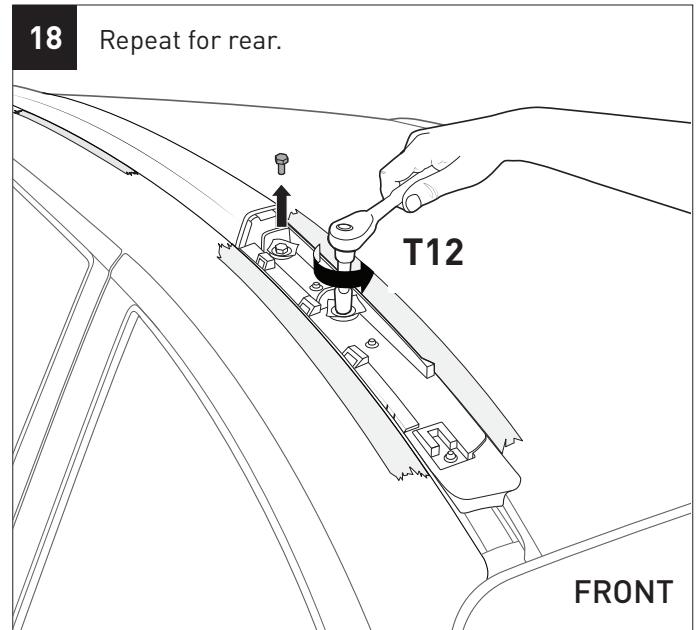
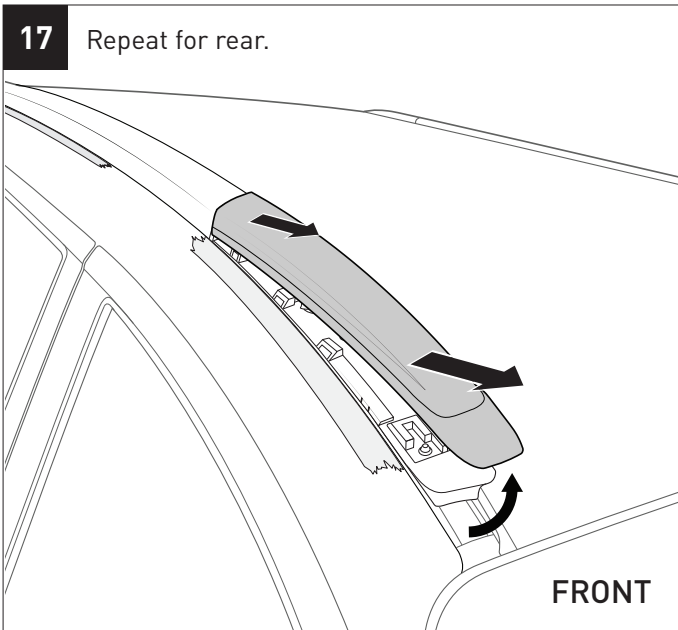
Do NOT lever
off body work

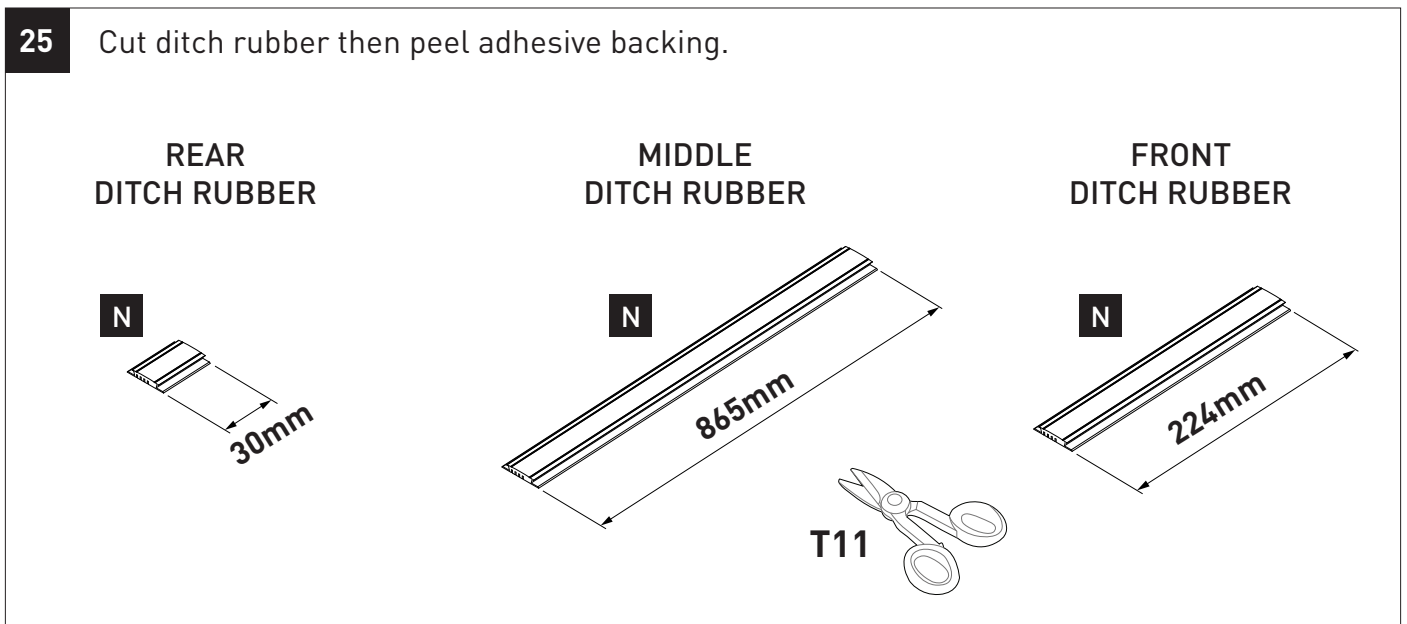
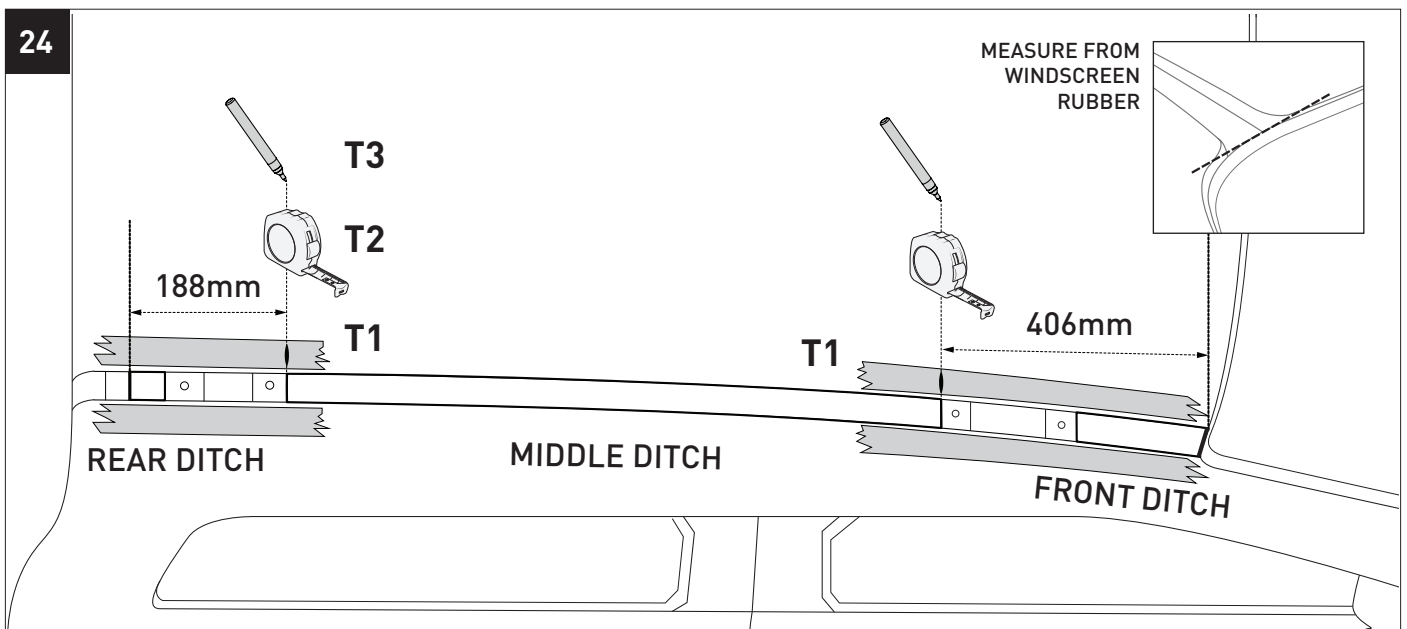
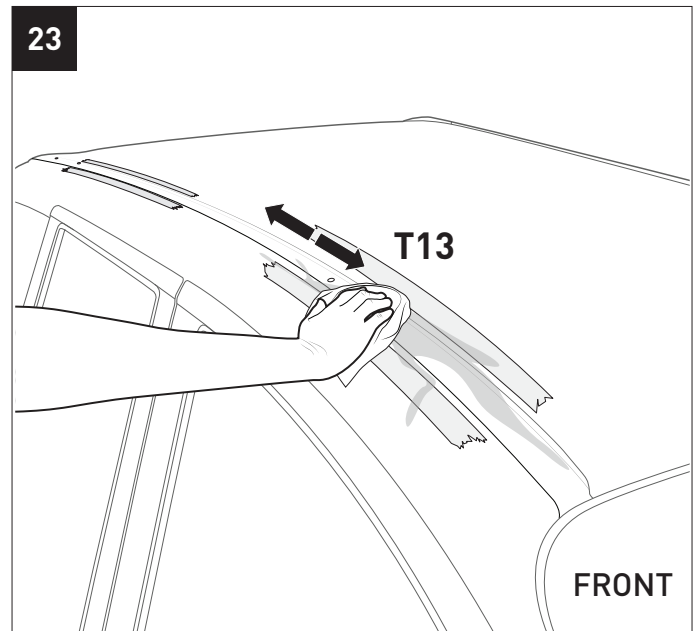
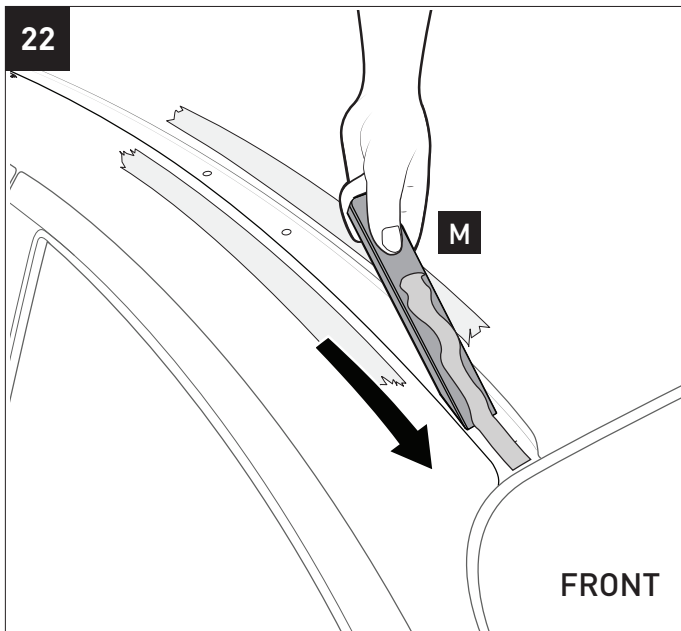
To pry off end caps, rest
fingers on bodywork and
lever screwdriver off
fingers



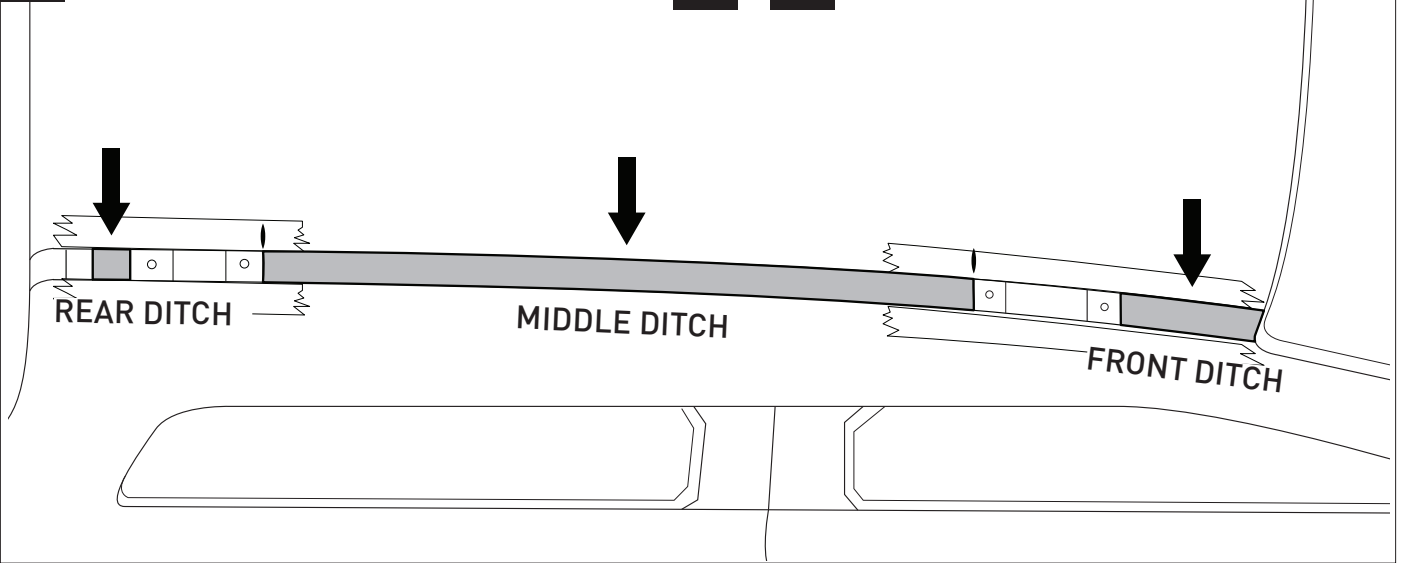
FRONT

RIDB2 Backbone Instructions





26 Adhere ditch rubber to roof ditch. Repeat 16 - 26 to opposite rail

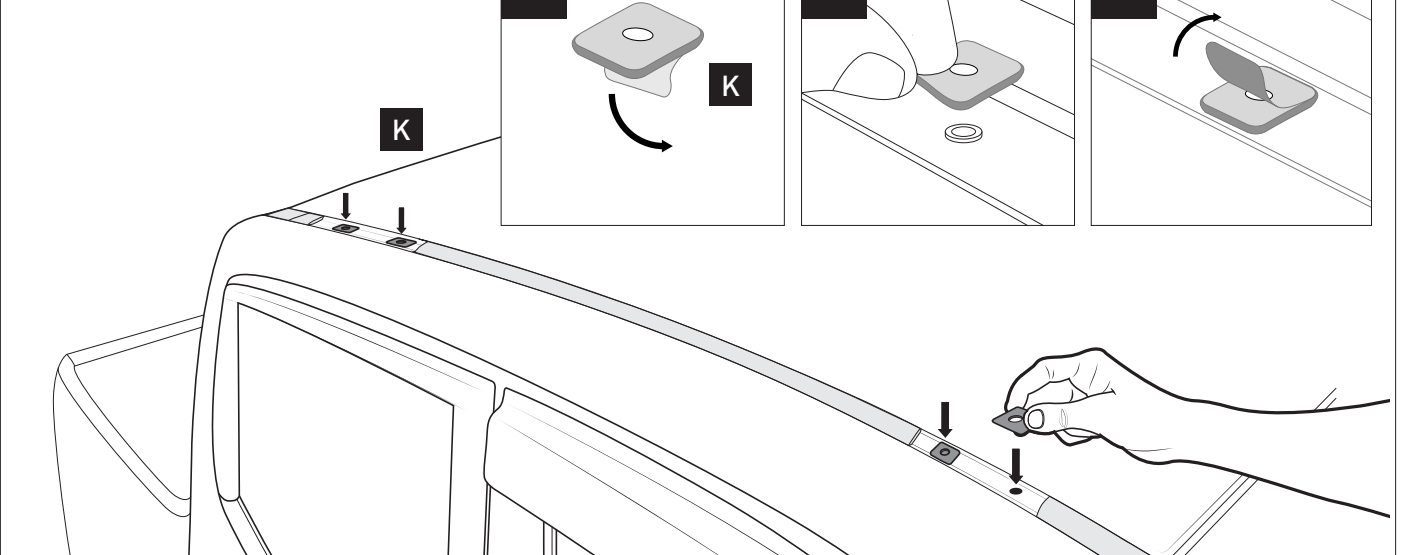


27

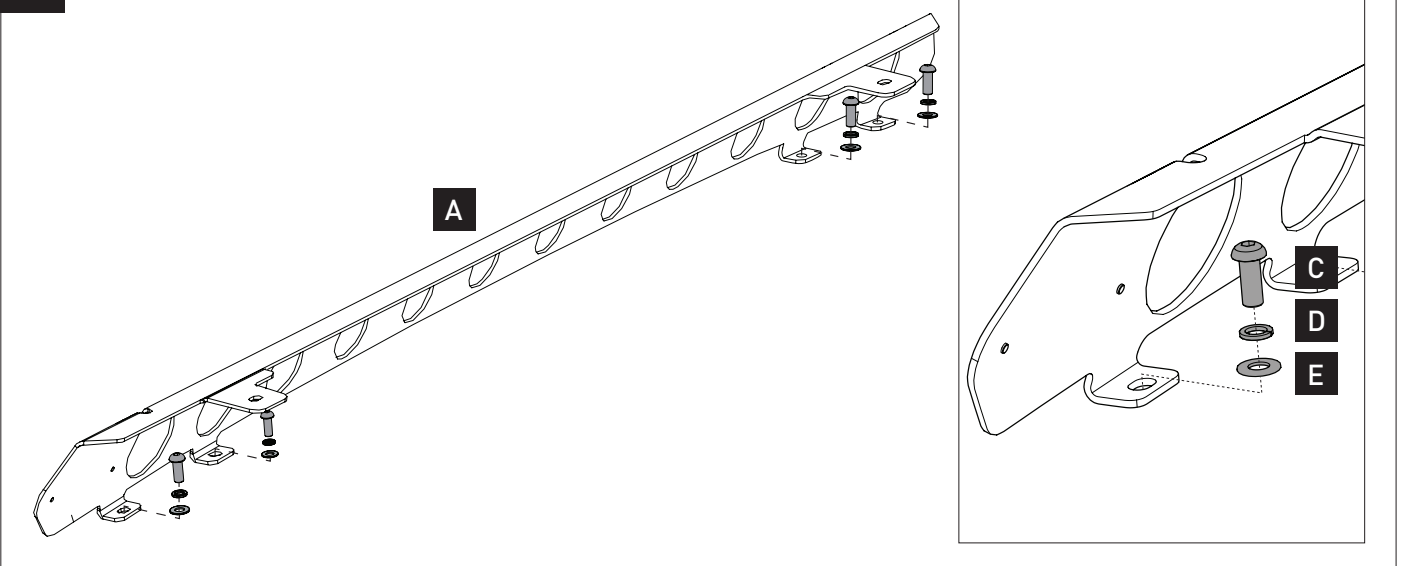
27a

27b

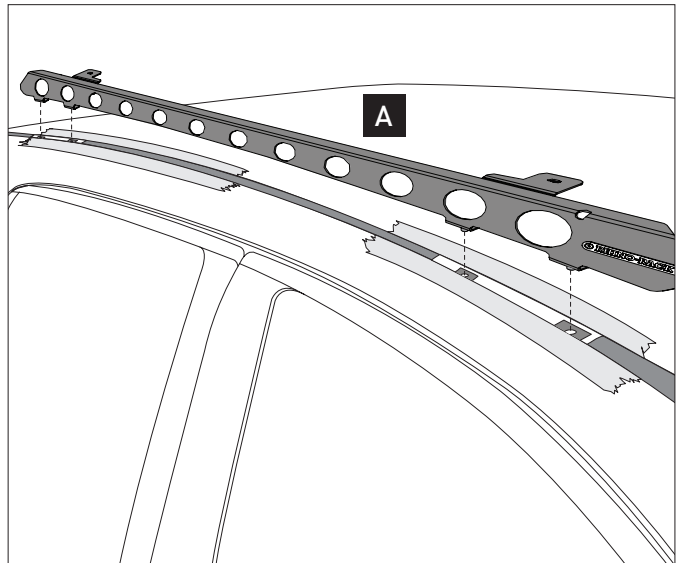
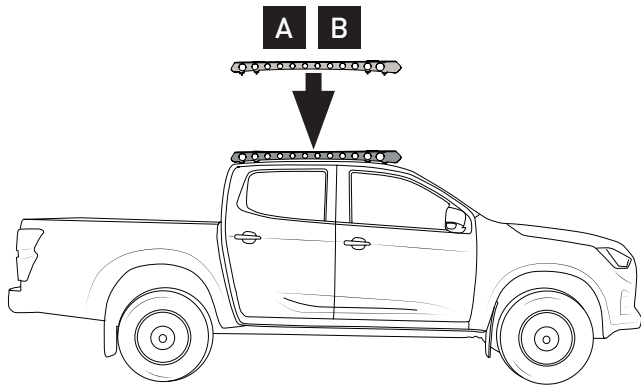
27c



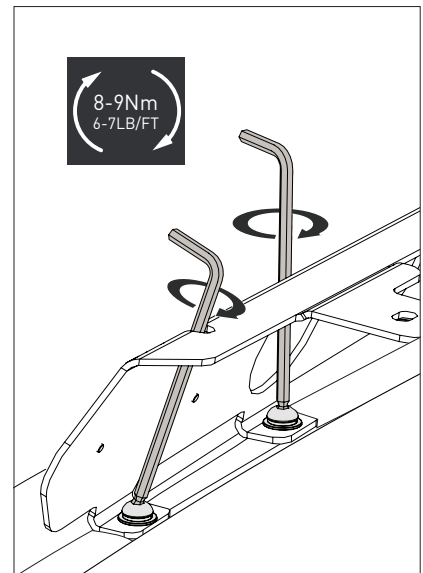
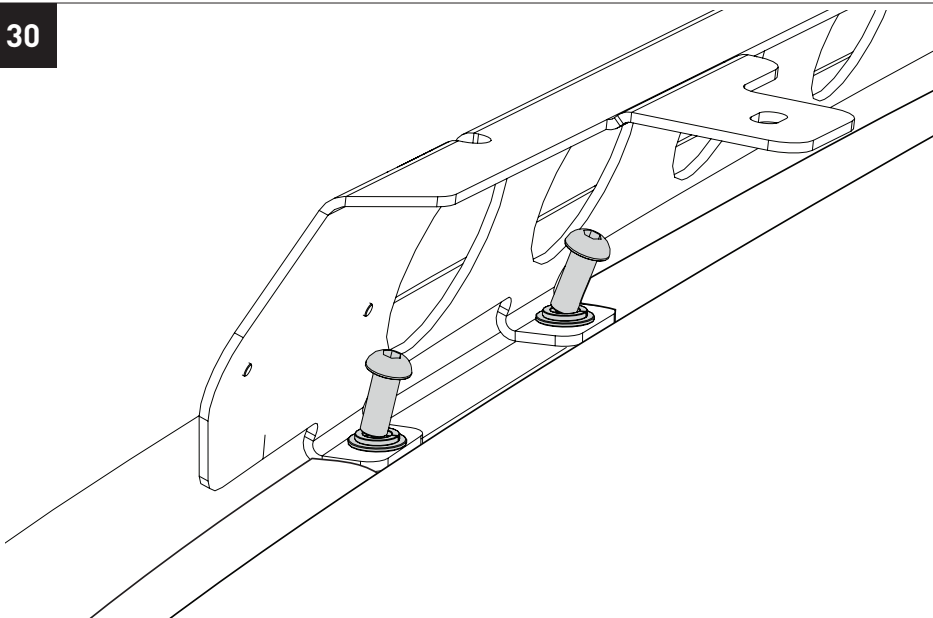
28



29

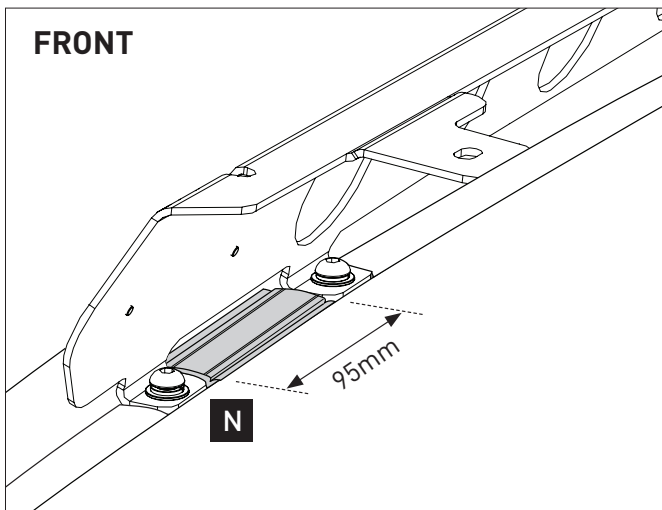


30

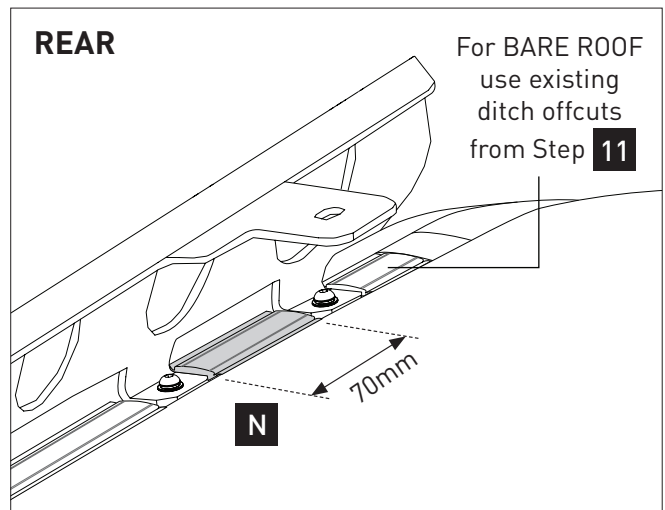


31 Trim ditch molds to fill gaps. Repeat steps 27 - 31 to opposite side

FRONT



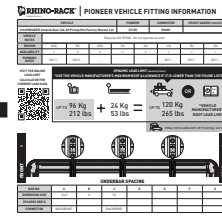
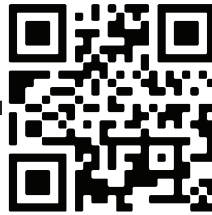
REAR



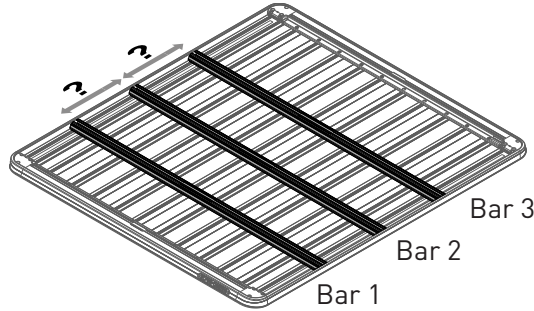
32 Refer to the website for the Pioneer fit chart to suit your vehicle



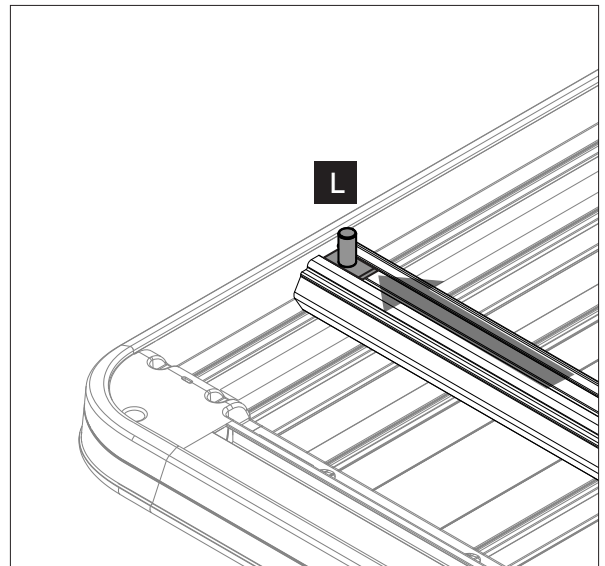
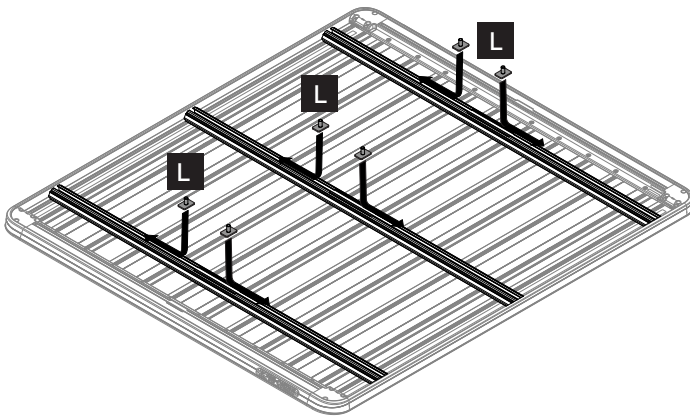
rhinorack.com/roof



View Fitting Chart

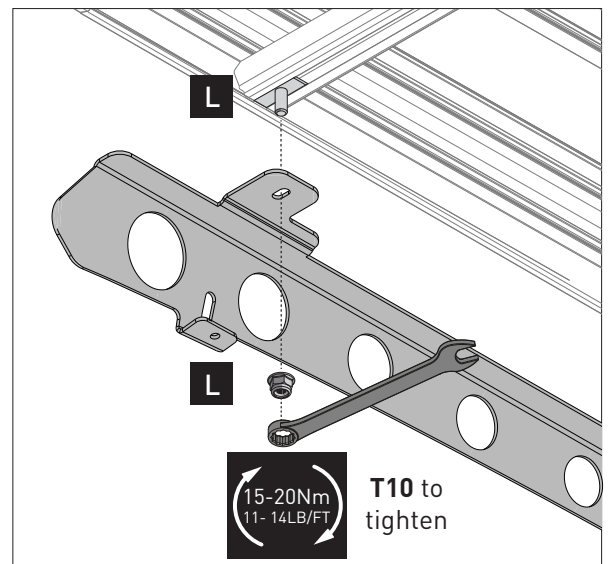
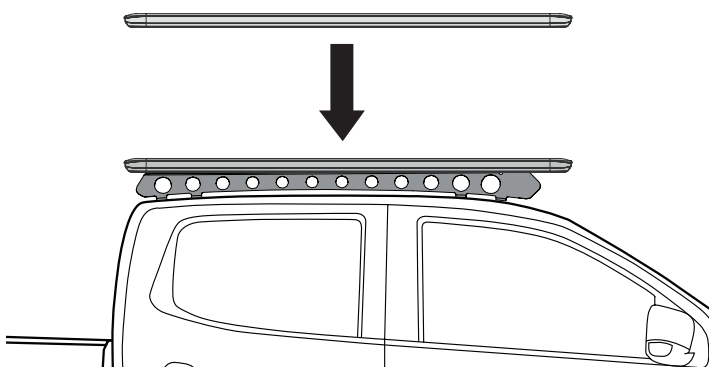


33 For 5XXX series Platform



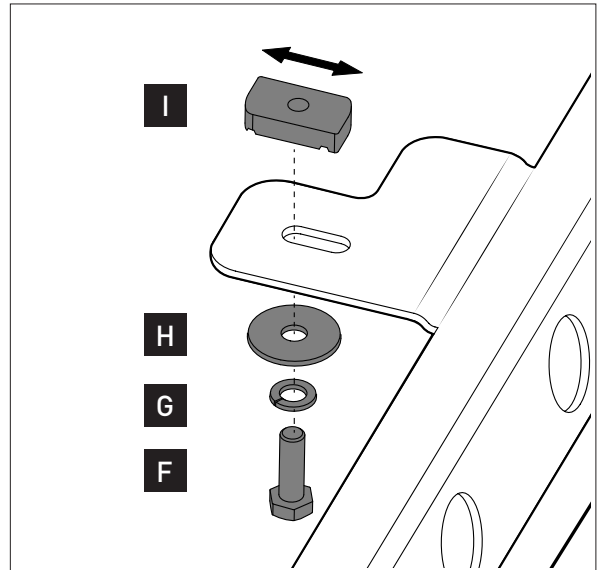
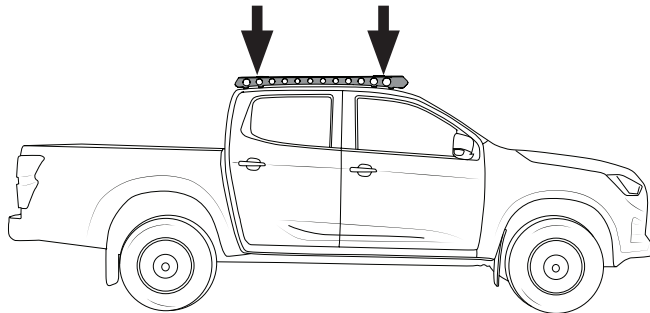
33a For 5XXX series Platform

Repeat for the 4 tabs on top of the backbone rails (2 each rail).



34 For 4XXXX series Platform

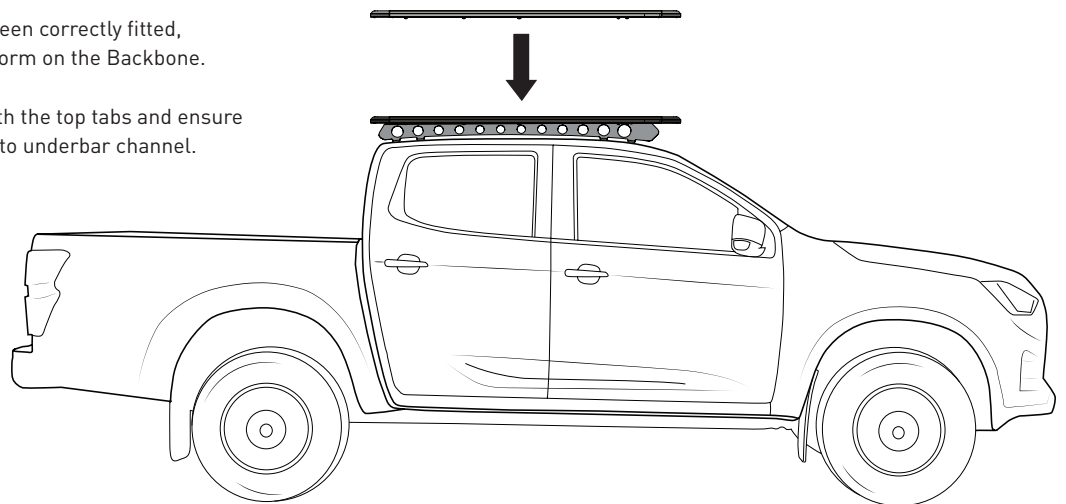
Repeat for the 4 tabs on top of the backbone rails (2 each rail).



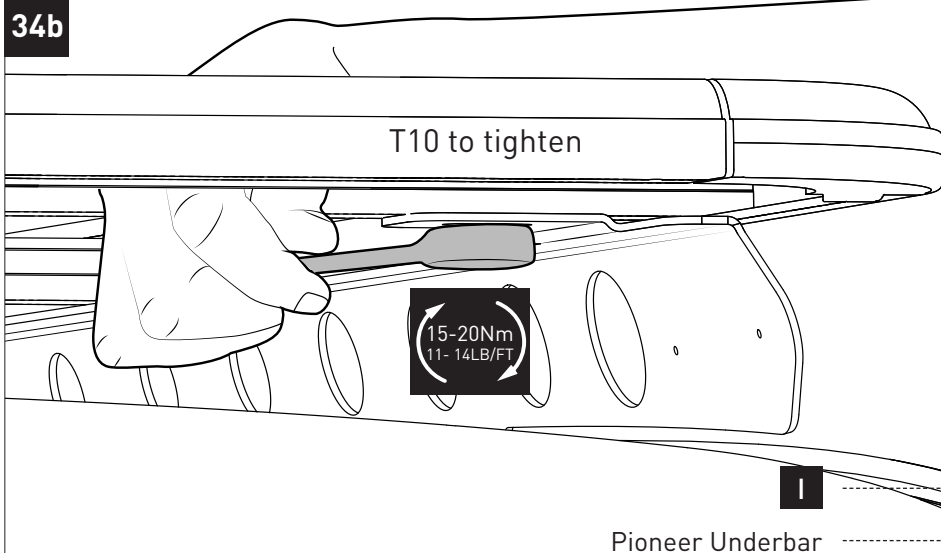
34a For 4XXXX series Platform

After underbars have been correctly fitted, place the Pioneer Platform on the Backbone.

Align the underbars with the top tabs and ensure the M8 hardware fits into underbar channel.



34b



Ensure channel nut has rotated within Pioneer underbar and is fixing Pioneer securely.

