

COMPANION[®]

TRUSTED SINCE 1941

LP GAS LANTERN

200 WATT



AS 2658
Cert. GSCS20059
SAI Global

OUTDOOR USE ONLY

OWNERS MANUAL

Part No. 2162-65 (MANUAL IGNITION), 2169-65 (PIEZO IGNITION)

IMPORTANT: Read these instructions for use carefully. Familiarise yourself with the appliance before connecting it to its gas container. Keep these instructions for future reference.

GENERAL WARNINGS

This appliance shall only be used with an LPG (Propane) refillable cylinder certified to Standard AS 2469 that has a 3/8" LH BSP inlet fitting.

IT MAY BE HAZARDOUS TO ATTEMPT TO FIT OTHER TYPES OF GAS CONTAINERS.

ONLY USE IN WELL-VENTILATED AREAS.

CARBON MONOXIDE HAZARD - USING THIS APPLIANCE IN AN ENCLOSED SPACE MAY CAUSE DEATH. DO NOT USE IN CARAVANS, TENTS, MARINE CRAFT, CARS, MOBILE HOMES OR SIMILAR LOCATIONS.

WARNING! USE OUTDOORS ONLY.

CAUTION: accessible parts may be very hot. Keep young children away.

SAFETY INFORMATION

Inspect the appliance regularly for signs of wear, leaks or incorrect operation. If symptoms such as flaring of the burner, issues with lighting, damages to hoses or connections or leaks from seals or gas controls are identified do not attempt to repair, return to your authorised stockist for service and maintenance.

Do not modify this appliance.

Check that seals between the appliance and the gas container are in place and in good condition before connecting the gas container. See figure 1.

Do not use this appliance if it has damaged or worn seals.

Do not use the appliance if it is leaking, damaged or does not operate properly.

This appliance is to be operated on a stable, horizontal, non-flammable surface.

The appliance should be protected from direct drafts and in a well ventilated place.

Gas orifices and burner must be kept clear of dirt and cobwebs. Flow of combustion and ventilation air through the perforated portions of the appliance must not be obstructed.

Any cleaning agent used on the appliance must be of a non-combustible and non-corrosive nature.

Gas containers shall be changed in a well-ventilated location, preferably outside, away from people and any source of ignition, such as naked flames, pilot flame, electric heaters/equipment.



CARBON MONOXIDE HAZARD

Using this appliance in an enclosed space may cause DEATH. Do not use in caravans, tents, marine craft, cars, mobile homes or similar locations.

This appliance is designed for connection directly to the cylinder - DO NOT USE ADAPTORS.

Return to your place of purchase for spare parts, service and repair.

This appliance must only be serviced by an authorised person.

This appliance must be operated away from any flammable material or surfaces and materials.

Always operate appliance a minimum of 1000 mm from flammable materials, walls and from ceiling.

Ensure all packaging is removed prior to use.

Do not operate this appliance before reading the instruction booklet.

Do not place articles on or against this appliance.

Do not store chemicals or flammable materials, or spray aerosols near this appliance.

Do not operate with panels, covers or guards removed from this appliance.

Do not operate in an enclosed area without ventilation.

Do not operate in a boat, caravan or tent.

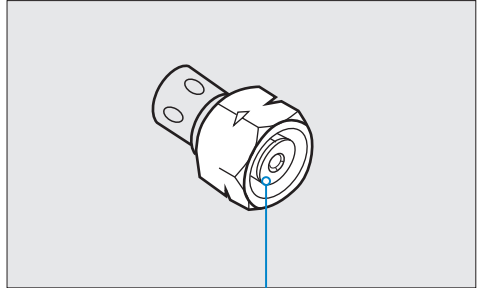
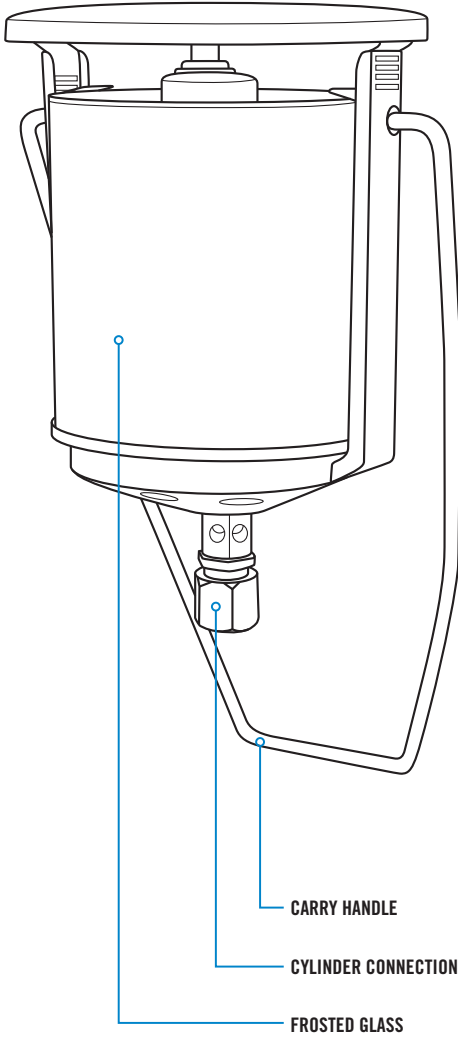


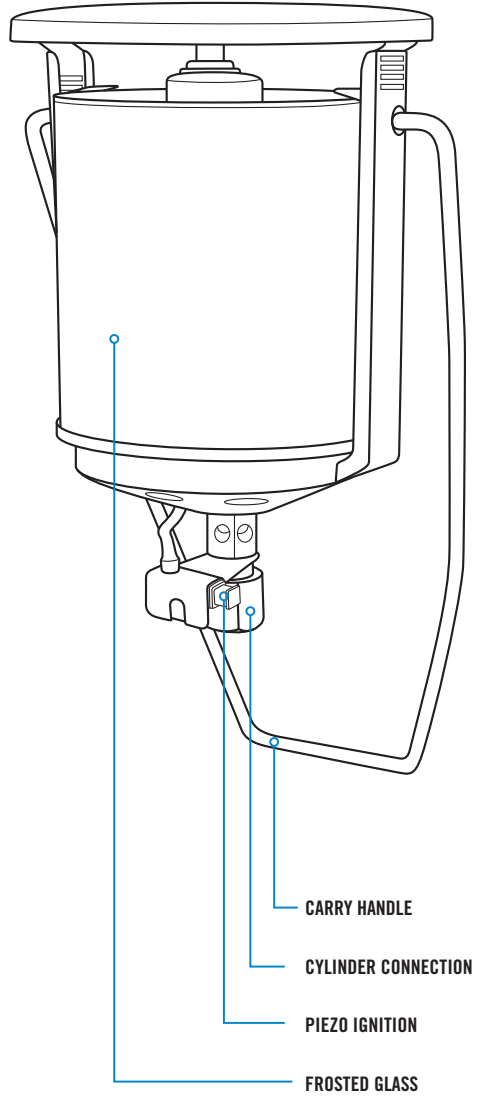
Figure 1: O-Ring seal located inside the gas fitting.

UNDERSTANDING YOUR APPLIANCE

2162-65

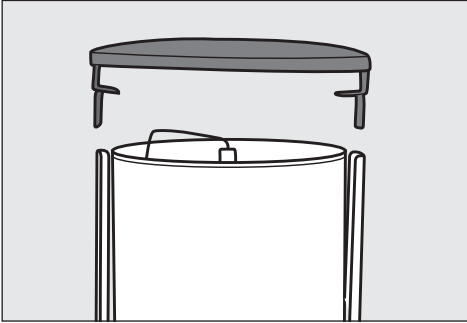


2169-65

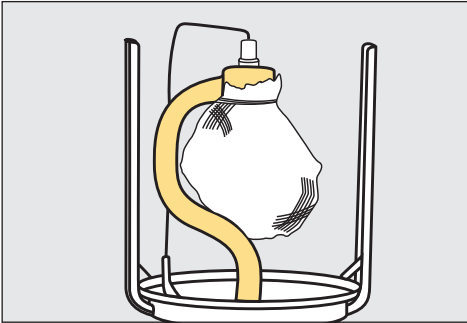


MANTEL INSTALLATION

Step 1. With the lantern attached to the LP gas cylinder, remove the carry handle and top cover and gently remove the lantern glass and place in a safe location to avoid this being broken.



Step 2. Slip the open end of the mantle over the burner tube and then tighten.



PRE-CONDITION PROCESS

This process is important as it prepares the mantle for the first time use by converting the cloth fibers to leave a natural source chemical ash that when heated produces a bright incandescent light.

You should always light the mantle with a match and let them burn to ash before lighting the lantern.

DO NOT have the gas turned on for this process as this can cause a mantle to tear or break.

It is recommended that this process is carried out for both manual or piezo ignition lanterns.

CHECKING FOR GAS LEAKS

Check that all connections are tight and that the gas cylinder connection has been tightened before you turn the cylinder gas valve on.

If there is a leak on your appliance (smell of gas) immediately attempt to turn off the cylinder valve. Remove the appliance to a well-ventilated location away from any ignition source.

NEVER check for leaks with a flame or pilot light.

Check for leaks using Companion Gas Leak Detection Spray or soapy water, coat all connections, if bubbles appear turn the cylinder gas control off and re-tighten the connection before re-testing.

SAFE LOCATIONS

This appliance shall only be used in an above ground open air situation with natural ventilation, without stagnant areas, where gas leakage and products of combustion are rapidly dispersed by wind and natural convection.

Any enclosure in which the appliance is used shall comply with one of the following:

An enclosure with walls on all sides, but with no overhead cover (see example 1).

Within a partial enclosure that includes an overhead cover and no more than two walls (see examples 2 & 3)

Within a partial enclosure that includes an overhead cover and more than two walls, the following shall apply:

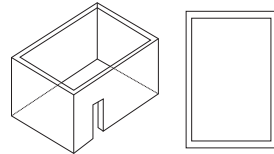
At least 25% of the total wall area is completely open.

30% or more in total of the remaining wall side, back and front wall areas is open and unrestricted (see examples 4 & 5).

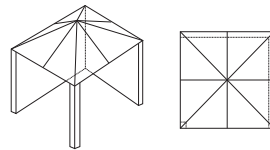
In the case of balconies, 20% or more of the total wall area shall remain open and unrestricted.

DIAGRAMMATIC REPRESENTATION OF OUTDOOR AREAS

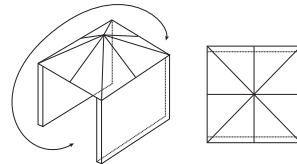
The following examples are diagrammatic representations of outdoor areas. Rectangular areas have been used in these examples - the same principles apply to any other shaped area.



Example 1

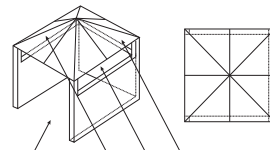


Example 2



Both ends open

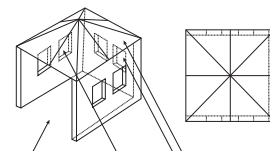
Example 3



Example 4

Open side at least 25% of total wall area.

30% or more in total of the remaining wall area is open and unrestricted.



Example 5

Open side at least 25% of total wall area.

30% or more in total of the remaining wall area is open and unrestricted.

IMPORTANT INFORMATION FOR USE

During operation all surfaces will be extremely hot and should not be touched or handled.

Take care that the primary air intakes, located on the burner tube of this appliance are not obstructed, or that air flow is restricted by placing items or other appliances close to or adjacent to the inlets.

Do not attempt to move or relocate the appliance when it is operating, extinguish the burner and allow to cool, disengage the gas cylinder then move the appliance.

This appliance is to be stored in a dry and well-ventilated location free from direct sunlight. Do not store when still connected to the cylinder.

Make sure that the cylinder is disconnected and is stored in a well ventilated area, out of the reach of children, free from direct sunlight, heat and ignition sources. If being stored indoors, ensure that the location complies with the standard AS/NZS 1596.

Never leave appliance unattended when operating.

Do not use as a space heater.

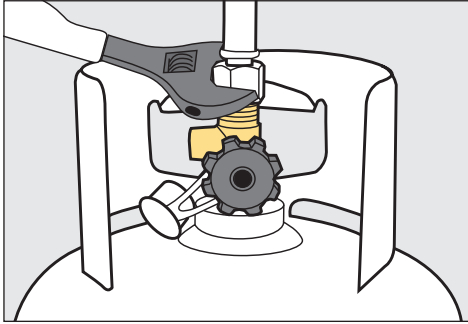
Use as a lighting appliance only, is not to be used as heater or modify for any other reason.

After use, turn the gas cylinder valve off and wait for the flame to go out.

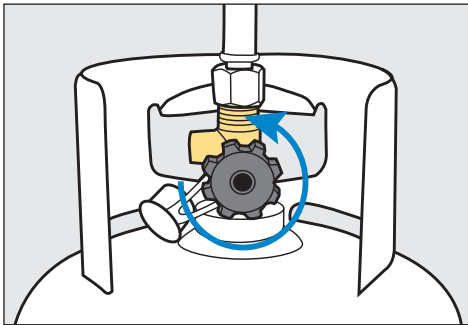
To check if gas remains in the cylinder, disconnect from the appliance and hold the cylinder in a vertical position then shake from side to side, if there is a sound or feel of liquid movement inside, the cylinder contains gas.

CONNECTION

Step 1. Take the lantern connector and attach to the gas inlet on the appliance, tighten up using a spanner.



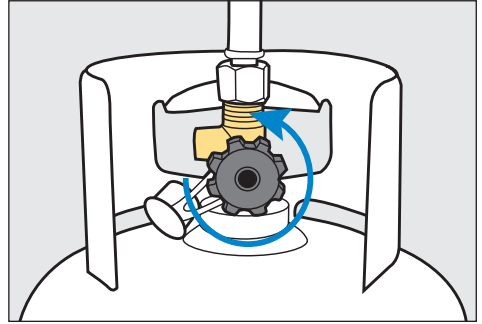
Step 2. Turn the cylinder gas valve on in an anti-clockwise direction for one full turn and then check the connections for leaks



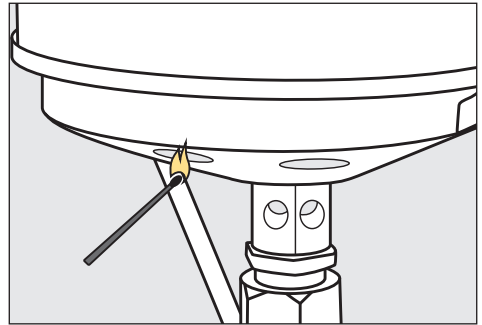
NOTE: If a leak is detected turn the cylinder gas valve OFF and retighten all connections then retest.

LIGHTING LANTERN (MANUAL AND PIEZO)

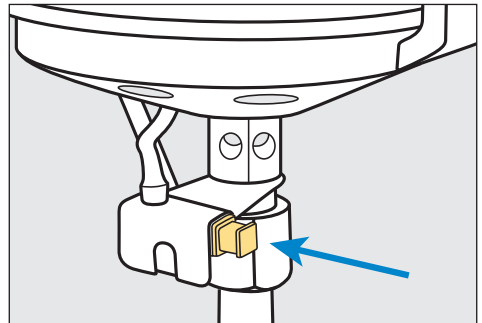
Step 1. Turn the Gas Control Valve 1/4 of a turn.



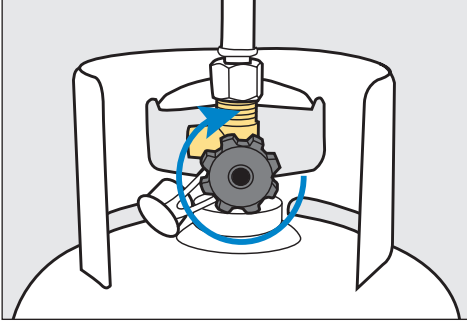
Step 2. 2162-65: Insert a long lit match into the base of the lantern, making sure that it is positioned as close to the mantel as possible.



Step 2. 2169-65: Depress the Piezo Igniter two or three times.

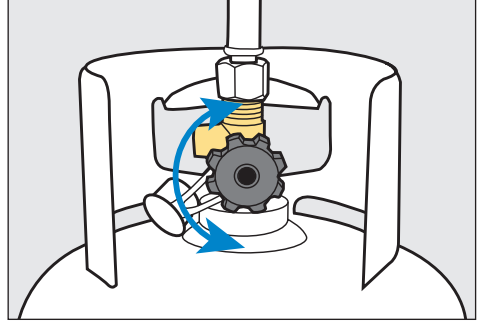


NOTE: If the lantern does not ignite, turn the gas control in the clockwise direction to the OFF position and allow the residual gas to disperse before attempting to reignite the burner.



ADJUSTING FLAME

Turn the gas control in an anti-clockwise direction to achieve a higher brightness and in the clockwise direction for a lower brightness.



CARE INSTRUCTIONS

Using warm soapy water with a mild detergent wipe down all surfaces and areas of the appliance, taking care not to allow water to enter the burner outlets or aeration holes located in the burner tube.

Do not submerge the appliance in a sink or bowl.

Do not use abrasive cleaners or bleach.

MAINTENANCE AND SERVICE

During operation if it is noted that the burner flame is unstable, is changing colour from blue to yellow or has a distinct smell it is important that you take the appliance to your local authorised gas appliance repairer for inspection.

Periodically check the gas control is tight and has no leaks, follow the testing for leaks procedure.

For further information or assistance please contact customer service.

A selection of spare parts and components are available for your appliance to ensure years of operation.

For more information in Australia call 1300 555 197 or email: service@companionbrands.com.au

SPECIFICATIONS

Part no.	2162-65 / 2169-65
Model no.	LP Gas Lantern
Gas type	Propane
Gas jet size	0.12 mm +/- 0.01
Gas consumption	5.5 MJ/h - 100 g/h
Dimensions	Lid: Ø 205 mm Body: Ø 135 mm
Weight	0.60 kg
Certificate number	GSCS20059

Distributed by:
Adventure Trading Australia Pty Ltd
www.companionleisure.com.au